

REVISIONS				
REV.	ECN/E-R	DESCRIPTION	DATE	APPROVED
A		PROPOSAL	JUL22/09	



MATERIAL:

CAGE:  
COPPER ALLOY

PLATING OPTION Y=2:  
2.54um MIN. NICKEL

PLATING OPTION Y=3:  
3.81um MIN. MATTE TIN  
OVER 1.27um MIN. NICKEL.

LIGHT PIPE:  
CLEAR POLYCARBONATE

BRACKET FOR LIGHT PIPE:  
STAINLESS STEEL

PACKAGING:  
TRAY PACKAGING

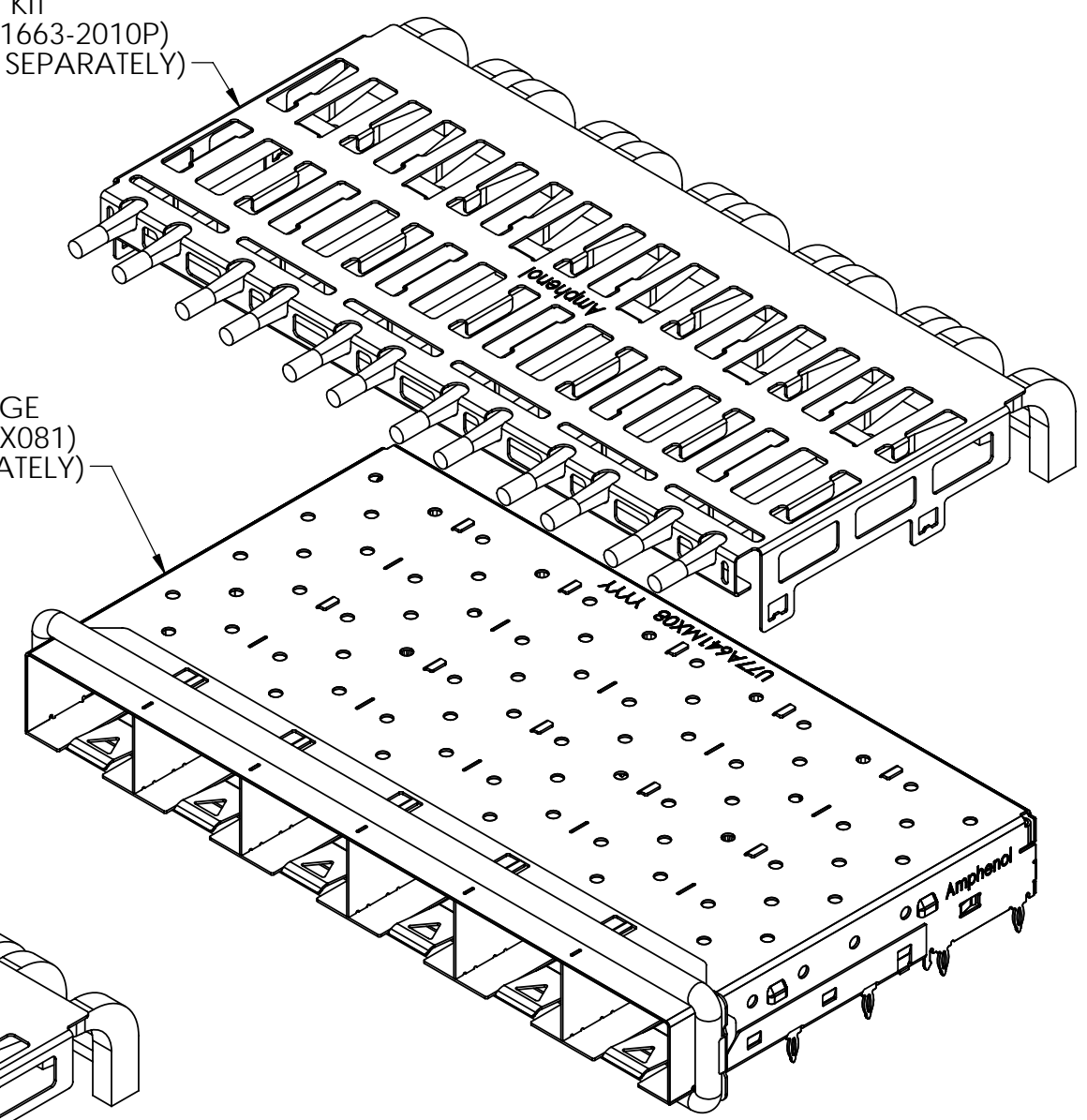
TEMPERATURE RANGE:  
-40C TO +85C

LIGHT PIPE KIT  
(P/N: U77-1663-2010P)  
(IF ORDER SEPARATELY)

SFP+PRESS FIT CAGE  
(P/N U77-A641M-X081)  
(IF ORDER SEPARATELY)

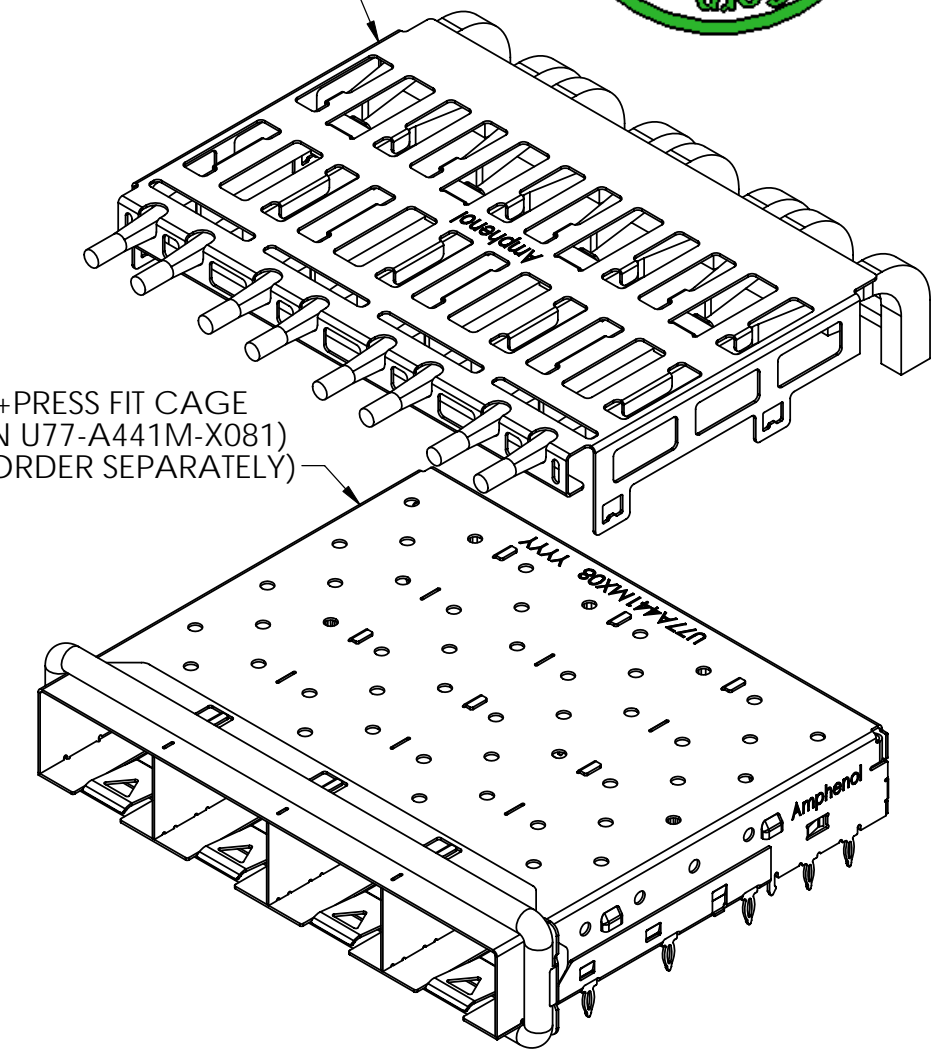
LIGHT PIPE KIT  
(P/N: U77-1263-2010P)  
(IF ORDER SEPARATELY)

SFP+PRESS FIT CAGE  
(P/N U77-A241M-X081)  
(IF ORDER SEPARATELY)



LIGHT PIPE KIT  
(P/N: U77-1463-2010P)  
(IF ORDER SEPARATELY)

SFP+PRESS FIT CAGE  
(P/N U77-A441M-X081)  
(IF ORDER SEPARATELY)



**P/N: U77-C641M-X081 SHOWN**

**P/N: U77-C441M-X081 SHOWN**

**P/N: U77-C241M-X081 SHOWN**

AMPHENOL PART NUMBER CONFIGURATION

U77 - C X 4 1 M - X 0 8 1

PACKAGING  
1 = TRAY PACKAGING

PLATING  
2 = NICKEL PLATING  
3 = MATTE TIN PLATING

NUMBER OF PORTS  
2 = 2 PORTS  
4 = 4 PORTS  
6 = 6 PORTS

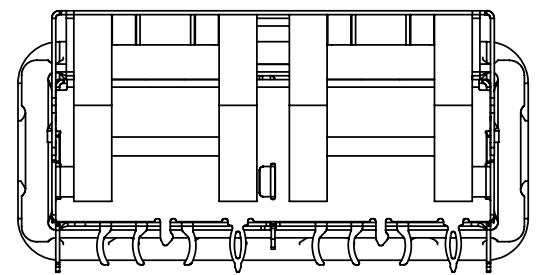
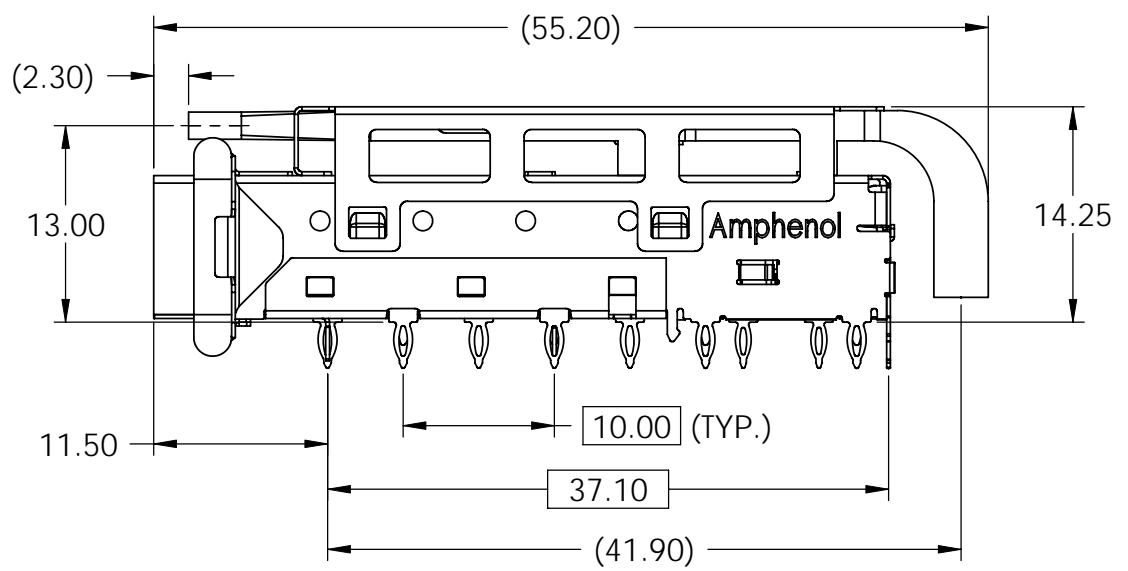
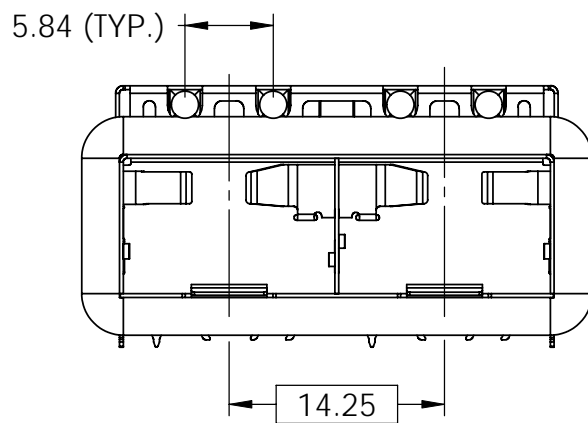
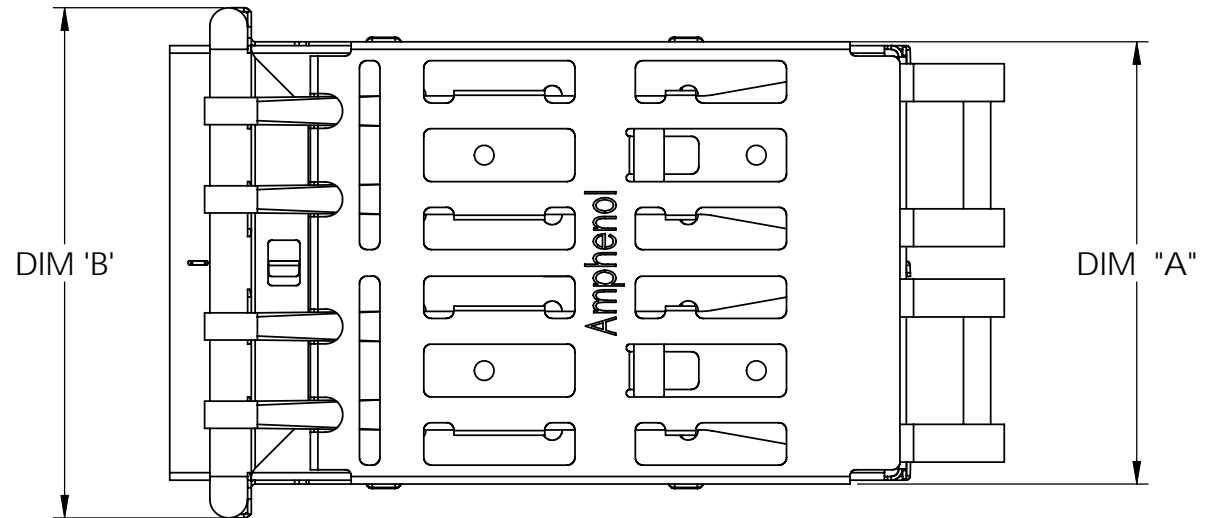
DO NOT SCALE DRAWING

THIS DOCUMENT CONTAINS PROPRIETARY INFORMATION AND SUCH INFORMATION MAY NOT BE DISCLOSED TO OTHERS FOR ANY PURPOSE OR USED FOR MANUFACTURING PURPOSES WITHOUT PERMISSION FROM AMPHENOL CANADA CORP.

UNLESS OTHERWISE SPECIFIED DIMENSIONS ARE IN MILLIMETERS TOLERANCES ARE:		APPROVALS		DATE	Amphenol Canada Corp.	
DECIMALS	ANGLES	DRAWN	J.SI	JUL21/09	TITLE	
X.X ± 0.38	± 1°	DESIGNED			1XN SFP+ CAGE ELASTOMER EMI GASKET, WITH LIGHT PIPE	
X.XX ± 0.25		CHECKED			SIZE A3 DWG. NO. P-U77-CX41M-X081 REV. A	
MATERIAL AND FINISH		QA APPD			SCALE 3:2	PROJECT
SEE NOTE 1		IE APPD			SHEET 1 OF 11	
REF.		DWG APPD				
CODE IDENT. NO.	03554					

PART NUMBER	DIM"A"	DIM"B"
U77-C261M-X081	29.25	33.75
U77-C461M-X081	57.75	62.25
U77-C661M-X081	86.25	90.75

REVISIONS				
REV.	ECN/E-R	DESCRIPTION	DATE	APPROVED
A		PROPOSAL	JUL22/09	



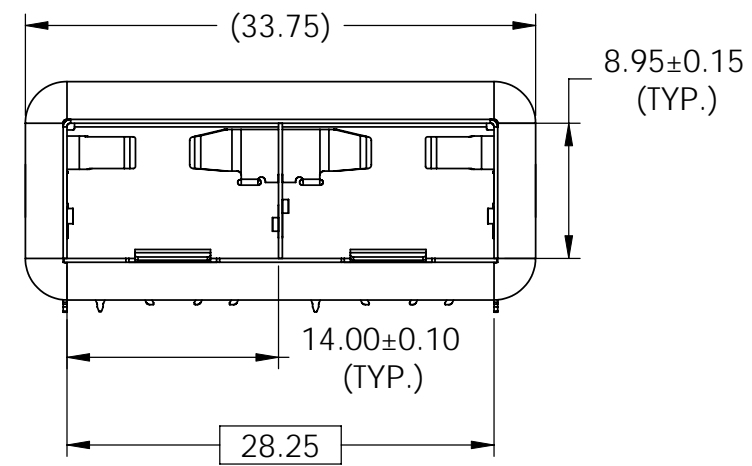
**DO NOT SCALE DRAWING**

THIS DOCUMENT CONTAINS PROPRIETARY INFORMATION AND SUCH INFORMATION MAY NOT BE DISCLOSED TO OTHERS FOR ANY PURPOSE OR USED FOR MANUFACTURING PURPOSES WITHOUT PERMISSION FROM AMPHENOL CANADA CORP.

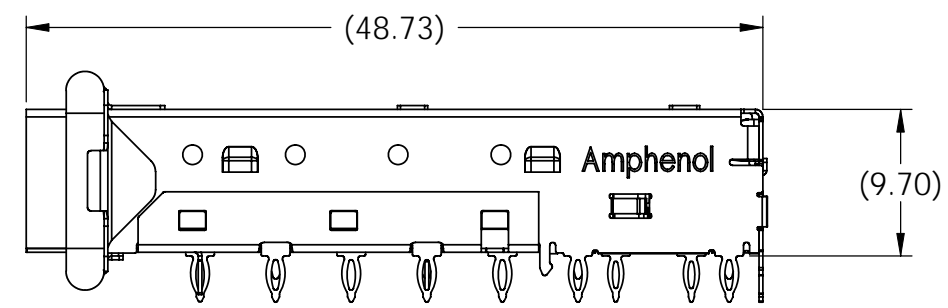
UNLESS OTHERWISE SPECIFIED DIMENSIONS ARE IN MILLIMETERS TOLERANCES ARE: DECIMALS            ANGLES X.X ± 0.38           ± 1° X.XX ± 0.25	<b>APPROVALS</b>	<b>DATE</b>	<b>Amphenol Canada Corp.</b> TITLE <b>1XN SFP+ CAGE ELASTOMER EMI GASKET, WITH LIGHT PIPE</b>	
	DRAWN	J.SI		JUL21/09
	DESIGNED			
	CHECKED			
MATERIAL AND FINISH	QA APPD			
SEE NOTE 1				
REF.	IE APPD			
CODE IDENT. NO. 03554	DWG APPD			
SIZE A3	DWG. NO. P-U77-CX41M-X081	REV. A		
SCALE 1:1	PROJECT	SHEET 2 OF 11		

**REVISIONS**

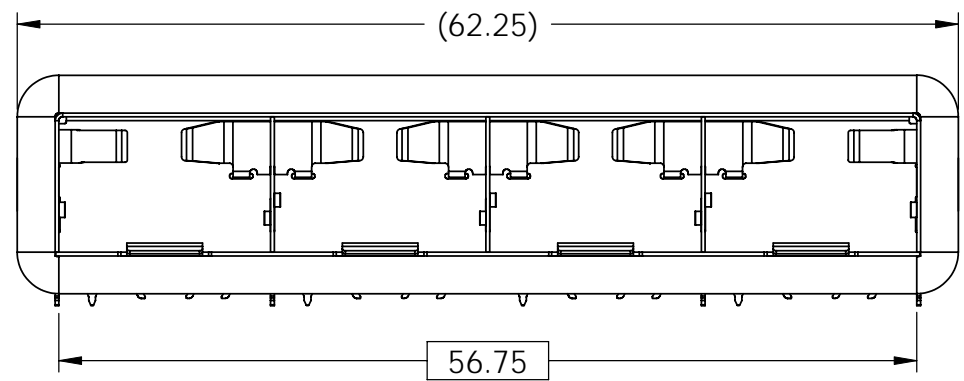
REV.	ECN/E-R	DESCRIPTION	DATE	APPROVED
A		PROPOSAL	JUL22/09	



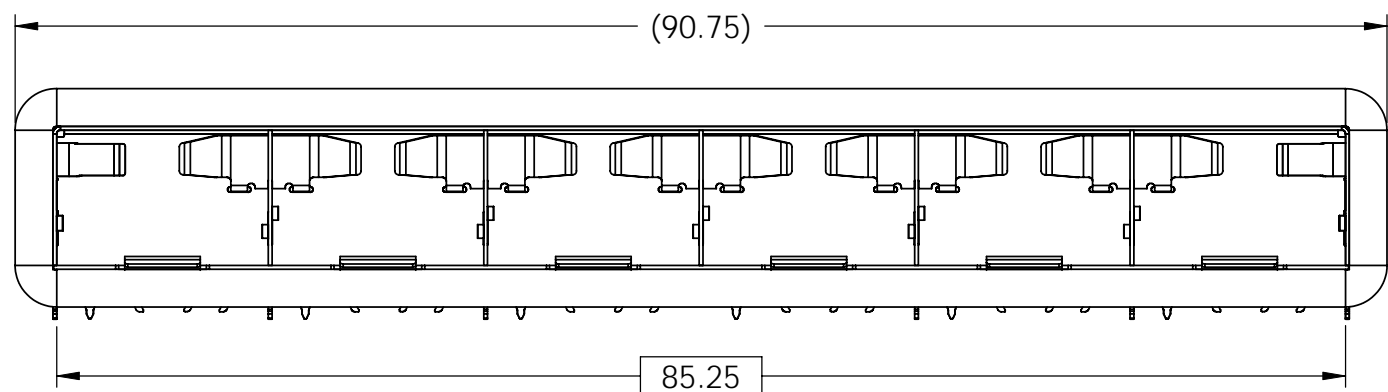
U77-A261M-X081



U77-A461M-X081



U77-A661M-X081



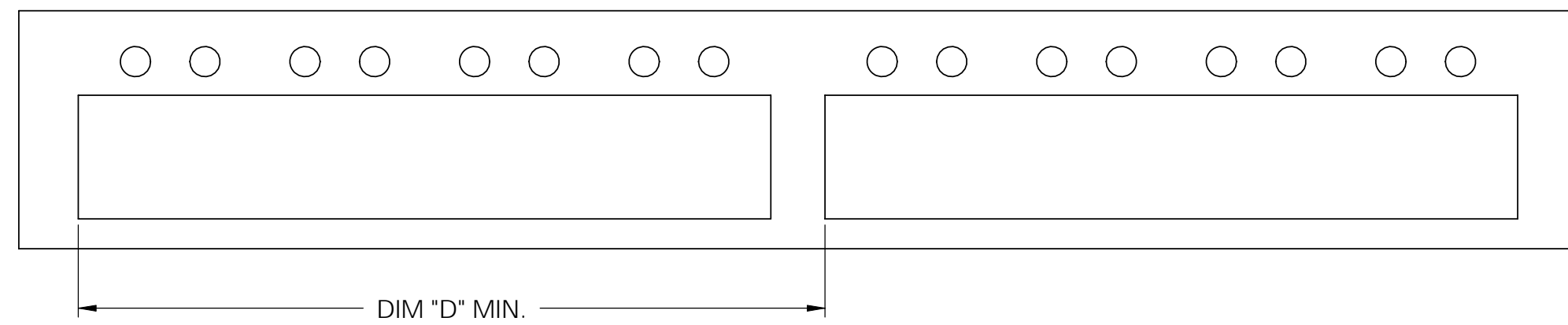
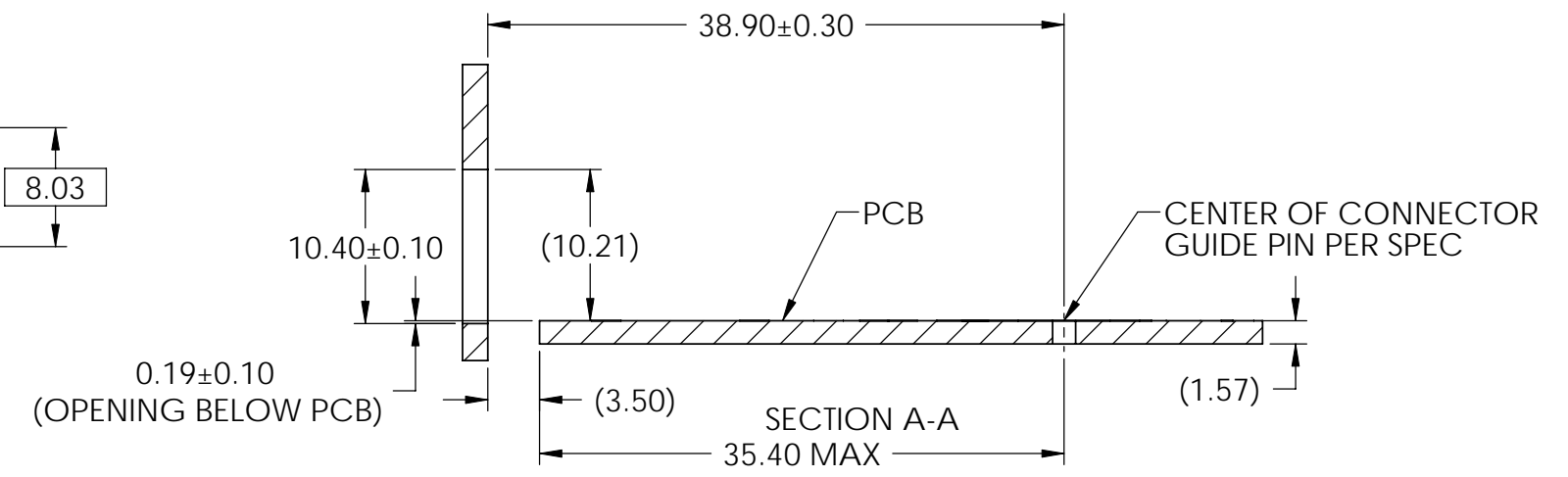
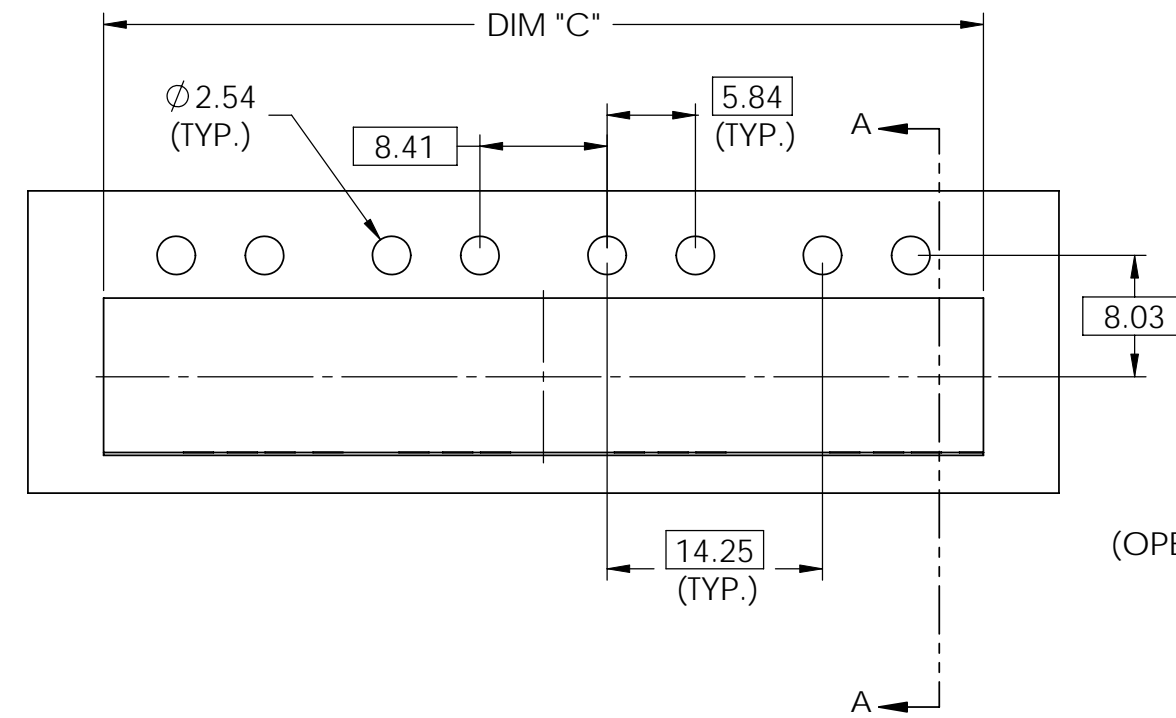
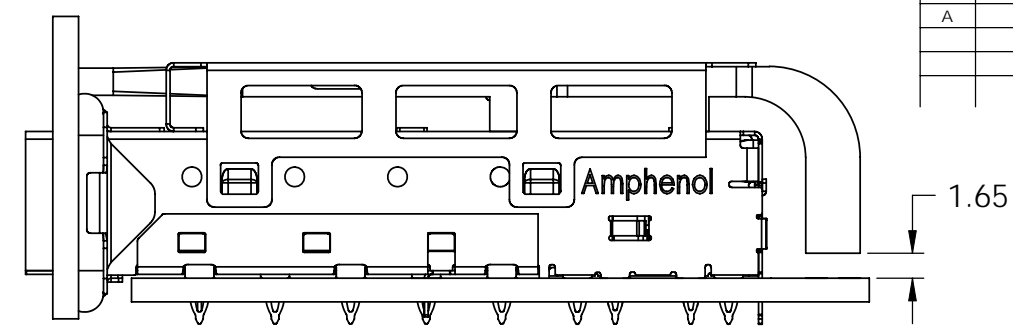
**DO NOT SCALE DRAWING**

THIS DOCUMENT CONTAINS PROPRIETARY INFORMATION AND SUCH INFORMATION MAY NOT BE DISCLOSED TO OTHERS FOR ANY PURPOSE OR USED FOR MANUFACTURING PURPOSES WITHOUT PERMISSION FROM AMPHENOL CANADA CORP.

UNLESS OTHERWISE SPECIFIED DIMENSIONS ARE IN MILLIMETERS TOLERANCES ARE:		<b>APPROVALS</b>	<b>DATE</b>	<b>Amphenol Canada Corp.</b>	
DECIMALS	ANGLES	DRAWN	J.SI	JUL21/09	TITLE <b>1XN SFP+ CAGE ELASTOMER EMI GASKET, WITH LIGHT PIPE</b>
X.X ± 0.38	± 1°	DESIGNED			
X.XX ± 0.25		CHECKED			
MATERIAL AND FINISH		QA APPD			
SEE NOTE 1		IE APPD			
REF.		DWG APPD			SIZE A3
CODE IDENT. NO.	03554				DWG. NO. P-U77-CX41M-X081
					SCALE 2:1
					PROJECT
					SHEET 3 OF 11

PART NUMBER	DIM "C"	DIM "D"
U77-C241M-X081	29.70	34.25
U77-C441M-X081	58.20	62.75
U77-C641M-X081	86.70	91.25

REVISIONS				
REV.	ECN/E-R	DESCRIPTION	DATE	APPROVED
A		PROPOSAL	JUL22/09	



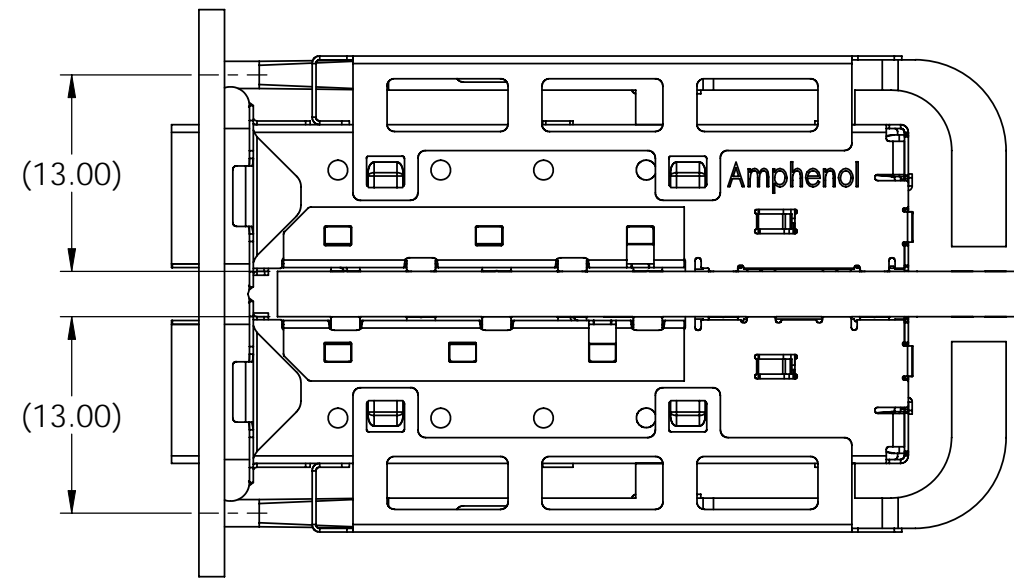
UNLESS OTHERWISE SPECIFIED DIMENSIONS ARE IN MILLIMETERS TOLERANCES ARE:		APPROVALS		DATE	Amphenol Canada Corp.	
DECIMALS	ANGLES	DRAWN	J.SI	JUL21/09	TITLE	
X.X ± 0.38	± 1°	DESIGNED			1XN SFP+ CAGE ELASTOMER EMI GASKET, WITH LIGHT PIPE	
X.XX ± 0.25		CHECKED				
MATERIAL AND FINISH		QA APPD				
SEE NOTE 1		IE APPD				
REF.		DWG APPD			SIZE A3	DWG. NO. P-U77-CX41M-X081
CODE IDENT. NO.	03554				SCALE 2:1	PROJECT
						SHEET 4 OF 11

**DO NOT SCALE DRAWING**

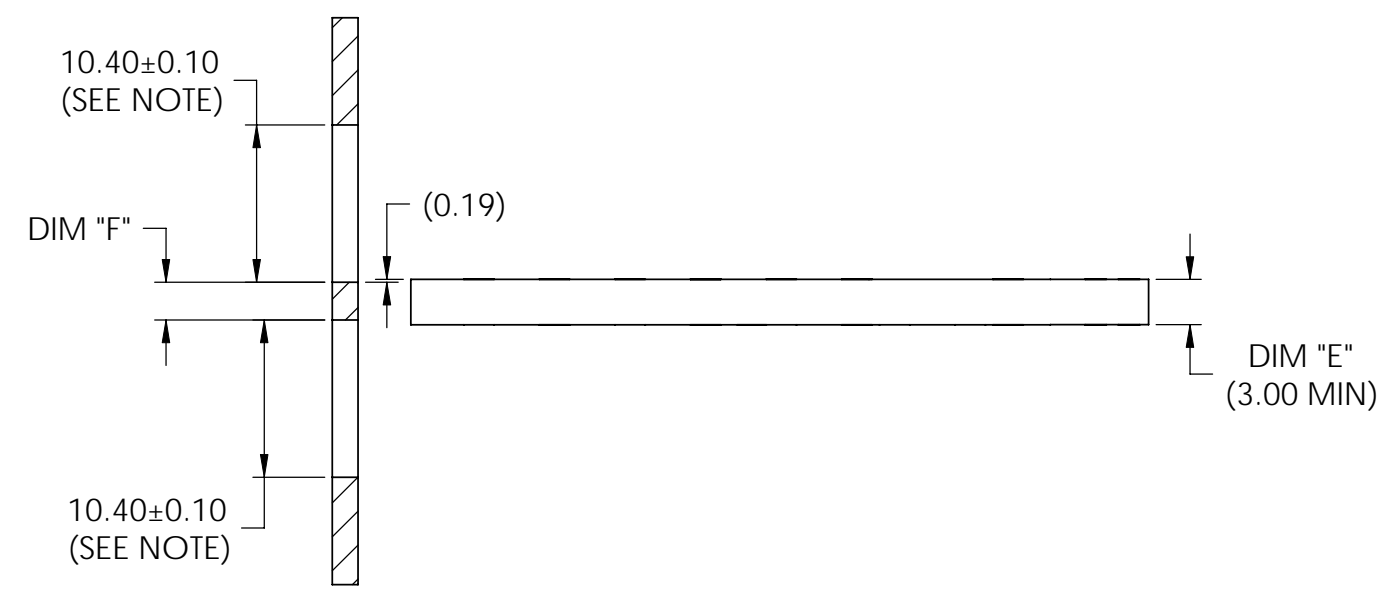
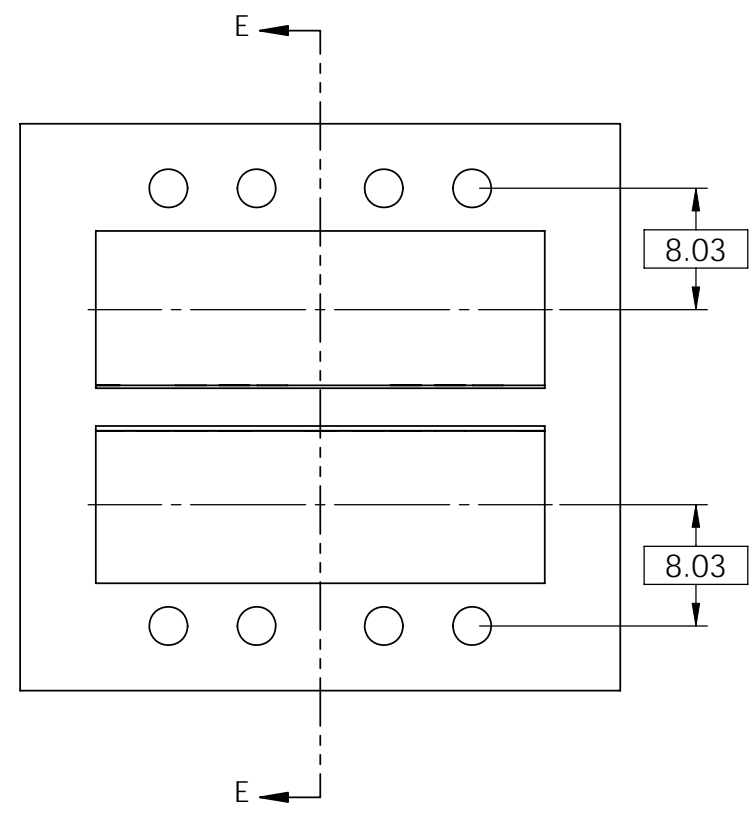
THIS DOCUMENT CONTAINS PROPRIETARY INFORMATION AND SUCH INFORMATION MAY NOT BE DISCLOSED TO OTHERS FOR ANY PURPOSE OR USED FOR MANUFACTURING PURPOSES WITHOUT PERMISSION FROM AMPHENOL CANADA CORP.

REVISIONS				
REV.	ECN/E-R	DESCRIPTION	DATE	APPROVED
A		PROPOSAL	JUL22/09	

D  
C  
B  
A



NOTE:  
 PANEL CUTOUT SIZES PER SFF 8433 SPEC. FOR BELLY TO BELLY MOUNTING, DIM "E" (PCB THICKNESS) IS 3.0 mm MIN. DIM "F" RELATED TO DIM "E". FOR DIM "F" = DIM "E" - 0.44 mm. THE PANEL CUTOUT 10.40 mm MIGHT BE INCREASED UP TO 10.80 mm IN ORDER TO ACCOMMODATE PCB TOLERANCE.



SECTION E-E

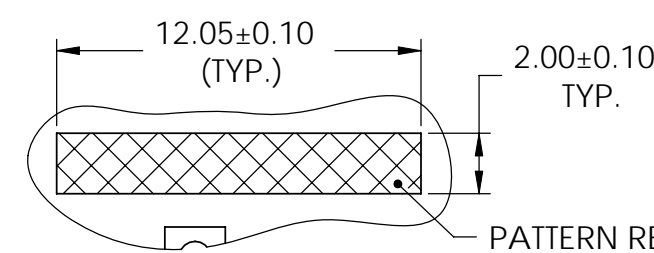
DO NOT SCALE DRAWING

THIS DOCUMENT CONTAINS PROPRIETARY INFORMATION AND SUCH INFORMATION MAY NOT BE DISCLOSED TO OTHERS FOR ANY PURPOSE OR USED FOR MANUFACTURING PURPOSES WITHOUT PERMISSION FROM AMPHENOL CANADA CORP.

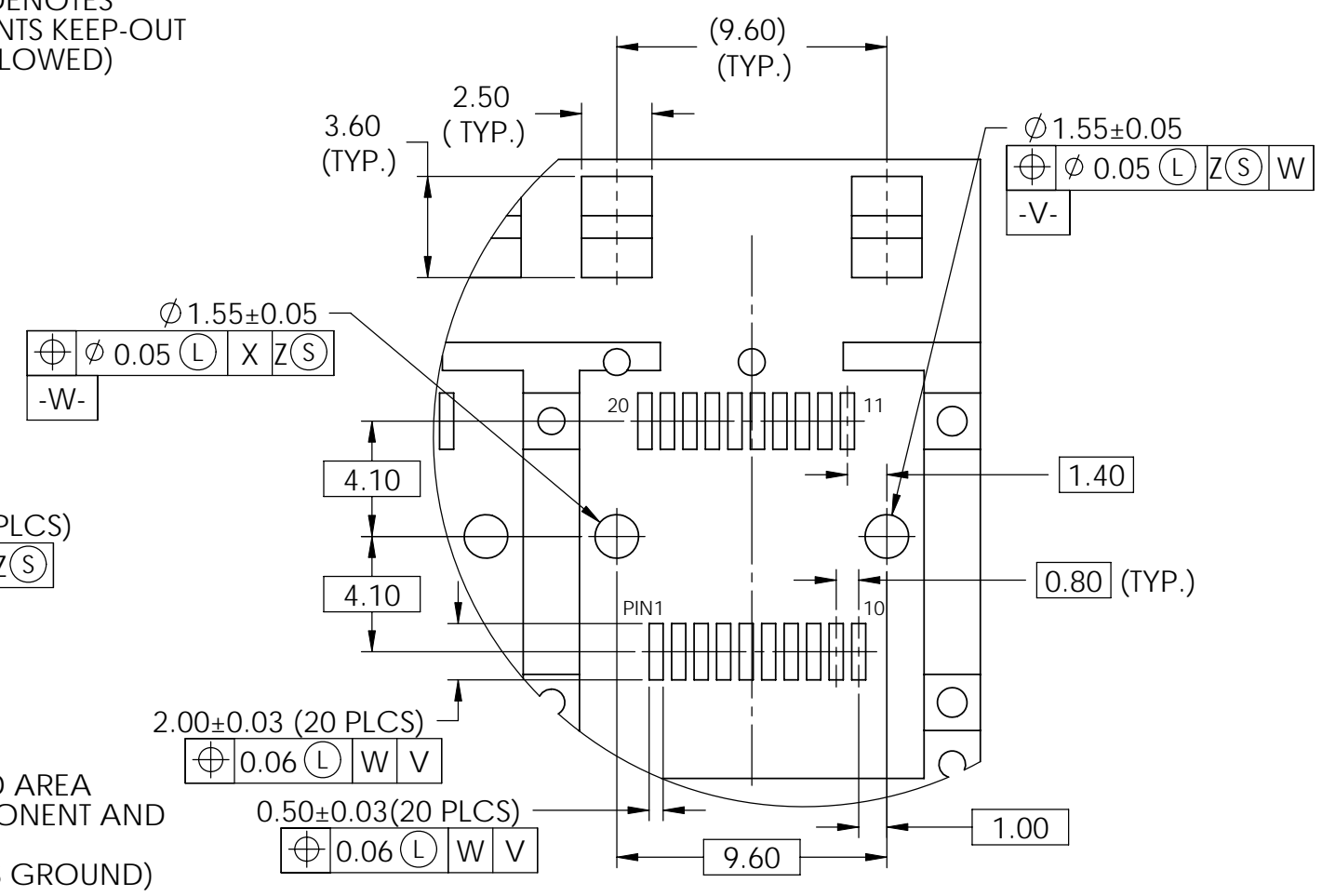
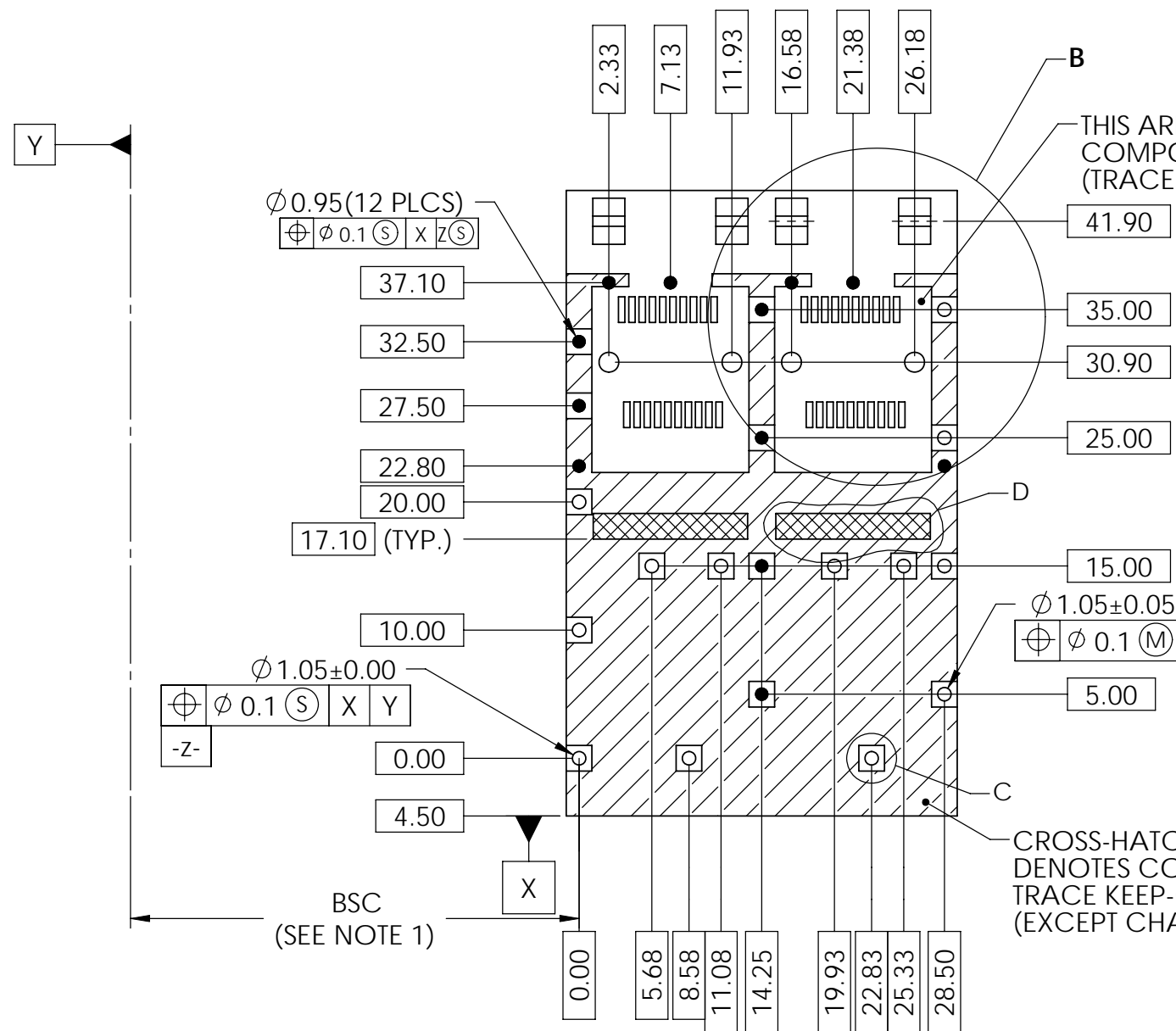
UNLESS OTHERWISE SPECIFIED DIMENSIONS ARE IN MILLIMETERS TOLERANCES ARE:		APPROVALS		DATE	Amphenol Canada Corp.	
DECIMALS	ANGLES	DRAWN	J.SI	JUL21/09	TITLE	
X.X ± 0.38	± 1°	DESIGNED			1XN SFP+ CAGE ELASTOMER EMI GASKET, WITH LIGHT PIPE	
X.XX ± 0.25		CHECKED				
MATERIAL AND FINISH		QA APPD				
SEE NOTE 1		IE APPD			SIZE	DWG. NO
REF.		DWG APPD			A3	P-U77-CX41M-X081
CODE IDENT. NO.	03554				SCALE	PROJECT
					2:1	SHEET 5 OF 11

- NOTES:  
 1. DATUM AND BASIC DIMENSIONS ESTABLISHED BY CUSTOMER.  
 2. PADS AND VIAS ARE CHASSIS GROUND.  
 3. THRU-HOLES, PLATING OPTIONAL.  
 4. SEE DRAWINGS P-UX76-A20-X00XX FOR CONNECTOR LAYOUT.

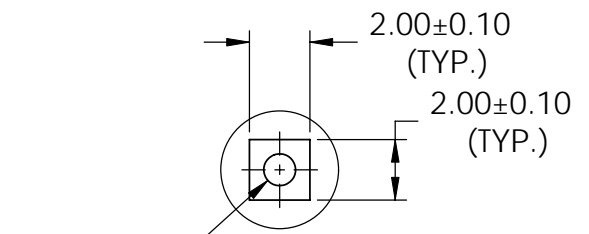
REVISIONS				
REV.	ECN/E-R	DESCRIPTION	DATE	APPROVED
A		PROPOSAL	JUL22/09	



DETAIL D  
SCALE 4 : 1



DETAIL B  
SCALE 4 : 1



DETAIL C  
SCALE 4 : 1

**RECOMMENDED PCB DESIGN  
FOR SINGLE SIDE MOUNTING  
(P/N U77-C261M-X081)**

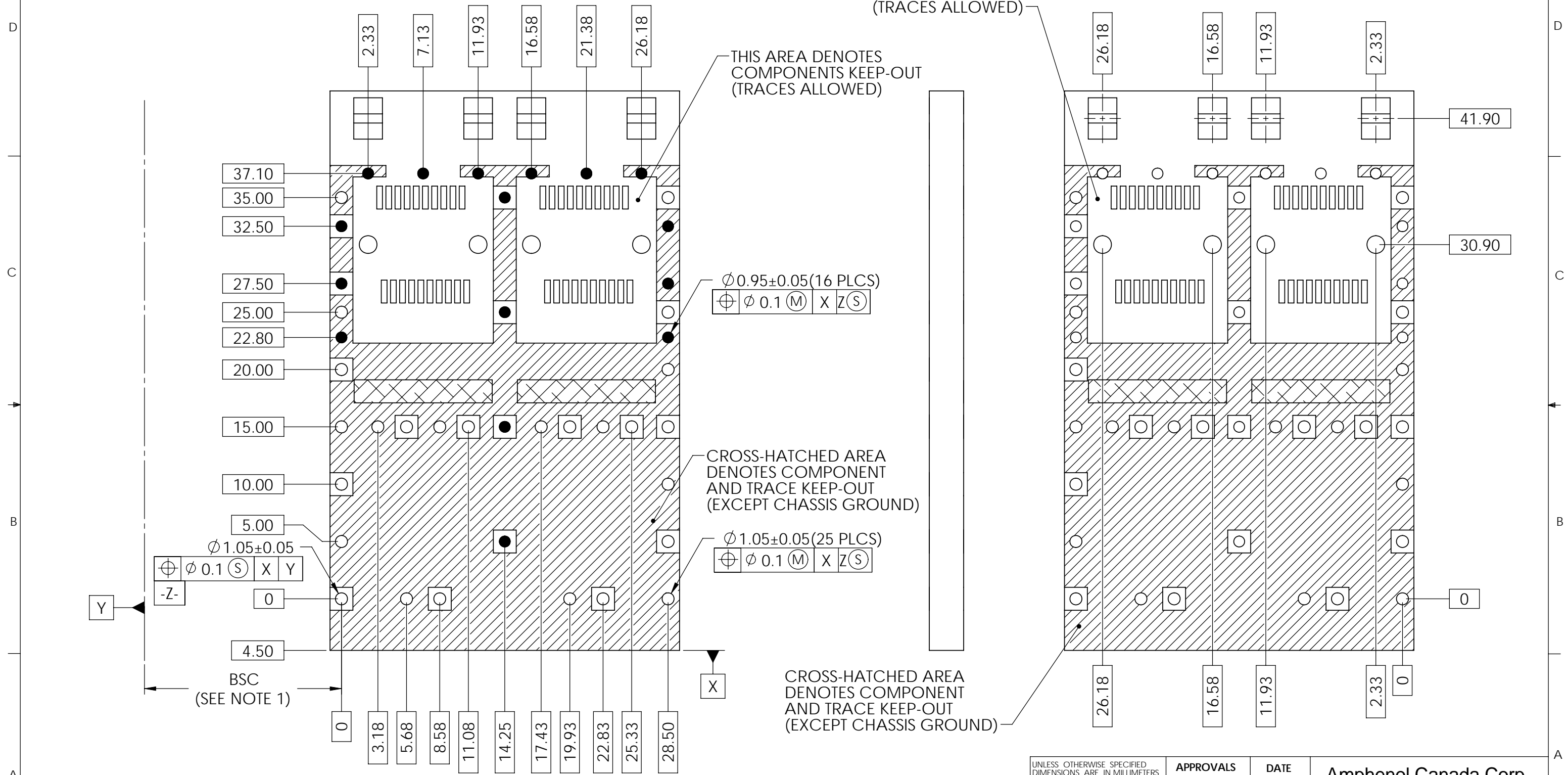
DO NOT SCALE DRAWING

THIS DOCUMENT CONTAINS PROPRIETARY INFORMATION AND SUCH INFORMATION MAY NOT BE DISCLOSED TO OTHERS FOR ANY PURPOSE OR USED FOR MANUFACTURING PURPOSES WITHOUT PERMISSION FROM AMPHENOL CANADA CORP.

UNLESS OTHERWISE SPECIFIED DIMENSIONS ARE IN MILLIMETERS TOLERANCES ARE: DECIMALS X.X ± 0.38 X.XX ± 0.25 MATERIAL AND FINISH SEE NOTE 1 REF. CODE IDENT. NO. 03554	APPROVALS	DATE	Amphenol Canada Corp.
	DRAWN J.SI	JUL21/09	
	DESIGNED		TITLE
	CHECKED		1XN SFP+ CAGE ELASTOMER EMI GASKET, WITH LIGHT PIPE
	QA APPD		SIZE A3 DWG. NO. P-U77-CX41M-X081 REV. A
	IE APPD		SCALE 2:1 PROJECT SHEET 6 OF 11
	DWG APPD		

- NOTES:  
 1. DATUM AND BASIC DIMENSIONS ESTABLISHED BY CUSTOMER.  
 2. PADS AND VIAS ARE CHASSIS GROUND.  
 3. THRU-HOLES, PLATING OPTIONAL.  
 4. SEE DRAWINGS P-UX76-A20-X00XX FOR CONNECTOR LAYOUT.

REVISIONS				
REV.	ECN/E-R	DESCRIPTION	DATE	APPROVED
A		PROPOSAL	JUL22/09	



**RECOMMENDED PCB DESIGN FOR BELLY TO BELLY MOUNTING**

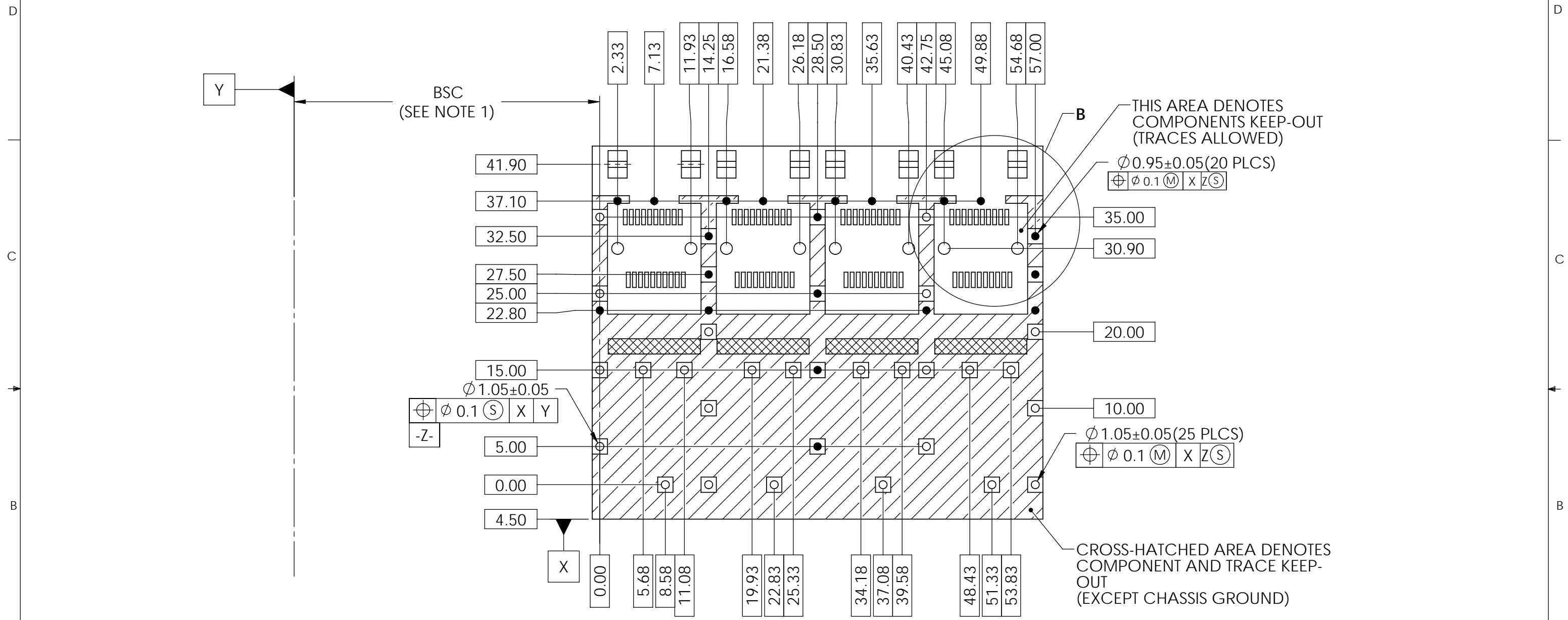
DO NOT SCALE DRAWING

THIS DOCUMENT CONTAINS PROPRIETARY INFORMATION AND SUCH INFORMATION MAY NOT BE DISCLOSED TO OTHERS FOR ANY PURPOSE OR USED FOR MANUFACTURING PURPOSES WITHOUT PERMISSION FROM AMPHENOL CANADA CORP.

UNLESS OTHERWISE SPECIFIED DIMENSIONS ARE IN MILLIMETERS TOLERANCES ARE:  DECIMALS      ANGLES X.X ± 0.38      ± 1° X.XX ± 0.25  MATERIAL AND FINISH SEE NOTE 1  REF.  CODE IDENT. NO.    03554	<b>APPROVALS</b>	<b>DATE</b>	<b>Amphenol Canada Corp.</b>  TITLE <b>1XN SFP+ CAGE ELASTOMER EMI GASKET, WITH LIGHT PIPE</b>  SIZE    DWG. NO.    P-U77-CX41M-X081    REV.    A SCALE    3:1    PROJECT    SHEET    7 OF 11
	DRAWN      J.SI	JUL21/09	
	DESIGNED		
	CHECKED		
	QA APPD		
	IE APPD		
	DWG APPD		

- NOTES:  
 1. DATUM AND BASIC DIMENSIONS ESTABLISHED BY CUSTOMER.  
 2. PADS AND VIAS ARE CHASSIS GROUND.  
 3. THRU-HOLES, PLATING OPTIONAL.  
 4. SEE DRAWINGS P-UX76-A20-X00XX FOR CONNECTOR LAYOUT.

REVISIONS				
REV.	ECN/E-R	DESCRIPTION	DATE	APPROVED
A		PROPOSAL	JUL22/09	



**RECOMMENDED PCB DESIGN  
 FOR SINGLE SIDE MOUNTING  
 (P/N U77-C461M-X081)**

**DO NOT SCALE DRAWING**

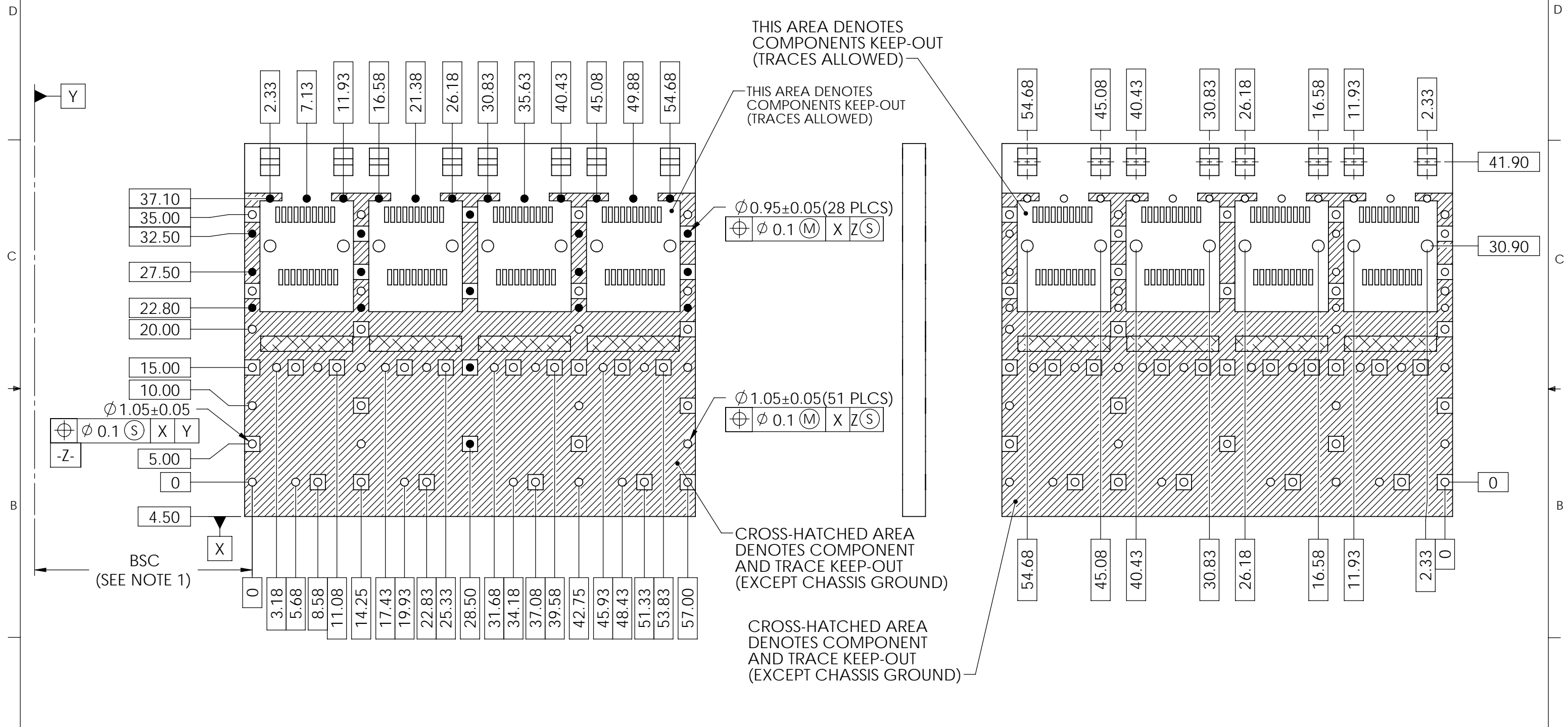
THIS DOCUMENT CONTAINS PROPRIETARY INFORMATION AND SUCH INFORMATION MAY NOT BE DISCLOSED TO OTHERS FOR ANY PURPOSE OR USED FOR MANUFACTURING PURPOSES WITHOUT PERMISSION FROM AMPHENOL CANADA CORP.

UNLESS OTHERWISE SPECIFIED DIMENSIONS ARE IN MILLIMETERS TOLERANCES ARE:  DECIMALS      ANGLES X.X ± 0.38      ± 1° X.XX ± 0.25  MATERIAL AND FINISH SEE NOTE 1  REF.  CODE IDENT. NO.    03554	<b>APPROVALS</b>	<b>DATE</b>	<b>Amphenol Canada Corp.</b>  TITLE  <b>1XN SFP+ CAGE ELASTOMER          EMI GASKET, WITH LIGHT PIPE</b>  SIZE    DWG. NO.    REV. A3      P-U77-CX41M-X081    A  SCALE    PROJECT    SHEET 1:1           8 OF 11
	DRAWN      J.SI	JUL21/09	
	DESIGNED		
	CHECKED		
	QA APPD		
	IE APPD		
	DWG APPD		



- NOTES:  
 1. DATUM AND BASIC DIMENSIONS ESTABLISHED BY CUSTOMER.  
 2. PADS AND VIAS ARE CHASSIS GROUND.  
 3. THRU-HOLES, PLATING OPTIONAL.  
 4. SEE DRAWINGS P-UX76-A20-X00XX FOR CONNECTOR LAYOUT.

REVISIONS				
REV.	ECN/E-R	DESCRIPTION	DATE	APPROVED
A		PROPOSAL	JUL22/09	



**RECOMMENDED PCB DESIGN  
FOR BELLY TO BELLY MOUNTING**

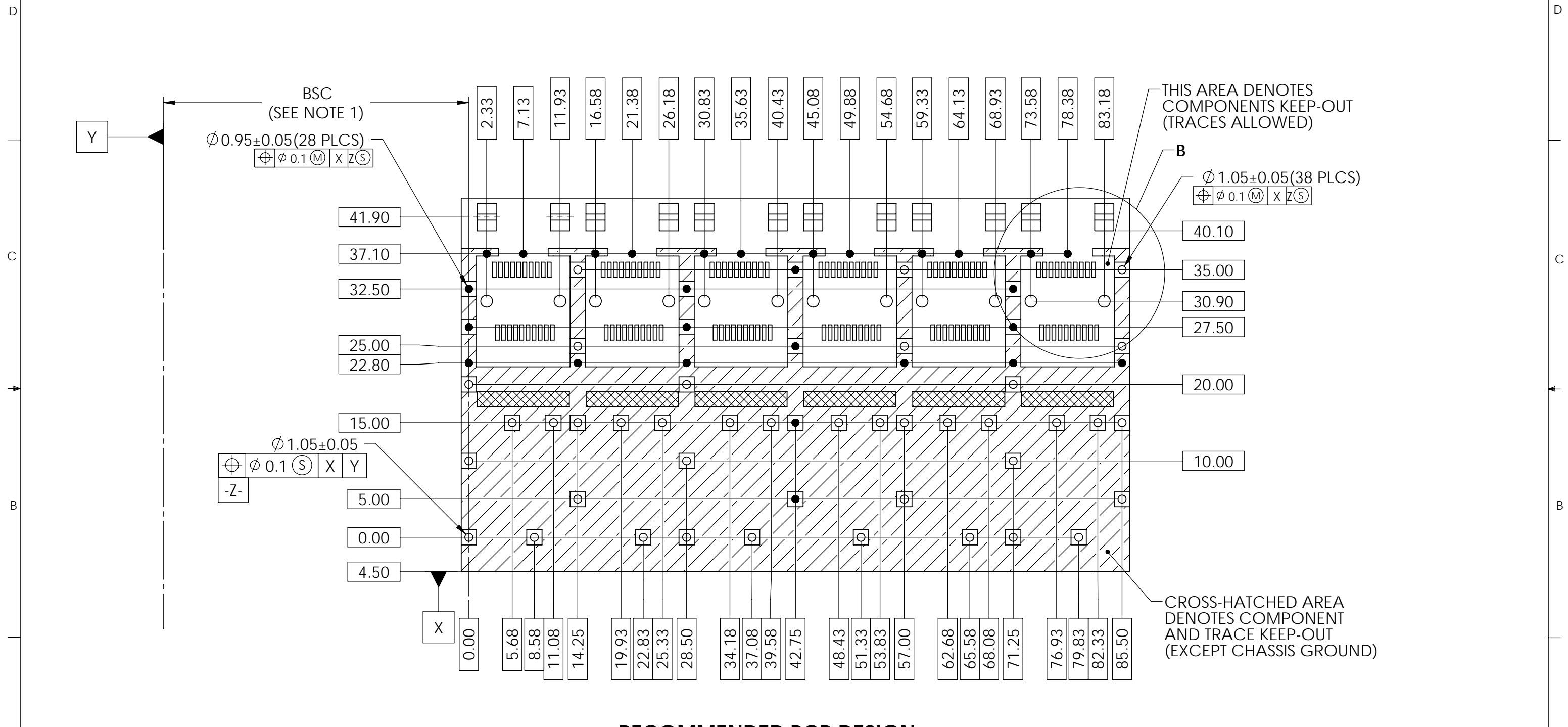
**DO NOT SCALE DRAWING**

THIS DOCUMENT CONTAINS PROPRIETARY INFORMATION AND SUCH INFORMATION MAY NOT BE DISCLOSED TO OTHERS FOR ANY PURPOSE OR USED FOR MANUFACTURING PURPOSES WITHOUT PERMISSION FROM AMPHENOL CANADA CORP.

UNLESS OTHERWISE SPECIFIED DIMENSIONS ARE IN MILLIMETERS TOLERANCES ARE:  DECIMALS      ANGLES X.X ± 0.38      ± 1° X.XX ± 0.25	APPROVALS		DATE	Amphenol Canada Corp.  TITLE <b>1XN SFP+ CAGE ELASTOMER EMI GASKET, WITH LIGHT PIPE</b>
	DRAWN	J.SI	JUL21/09	
	DESIGNED			
	CHECKED			
MATERIAL AND FINISH SEE NOTE 1	QA APPD			
REF.	IE APPD			SIZE A3
CODE IDENT. NO. 03554	DWG APPD			DWG. NO. P-U77-CX41M-X081
				SCALE 2:1
				PROJECT
				SHEET 9 OF 11

- NOTES:  
 1. DATUM AND BASIC DIMENSIONS ESTABLISHED BY CUSTOMER.  
 2. PADS AND VIAS ARE CHASSIS GROUND.  
 3. THRU-HOLES, PLATING OPTIONAL.  
 4. SEE DRAWINGS P-UX76-A20-X00XX FOR CONNECTOR LAYOUT.

REVISIONS				
REV.	ECN/E-R	DESCRIPTION	DATE	APPROVED
A		PROPOSAL	JUL22/09	



**RECOMMENDED PCB DESIGN  
 FOR SINGLE SIDE MOUNTING  
 (P/N U77-C661M-X081)**

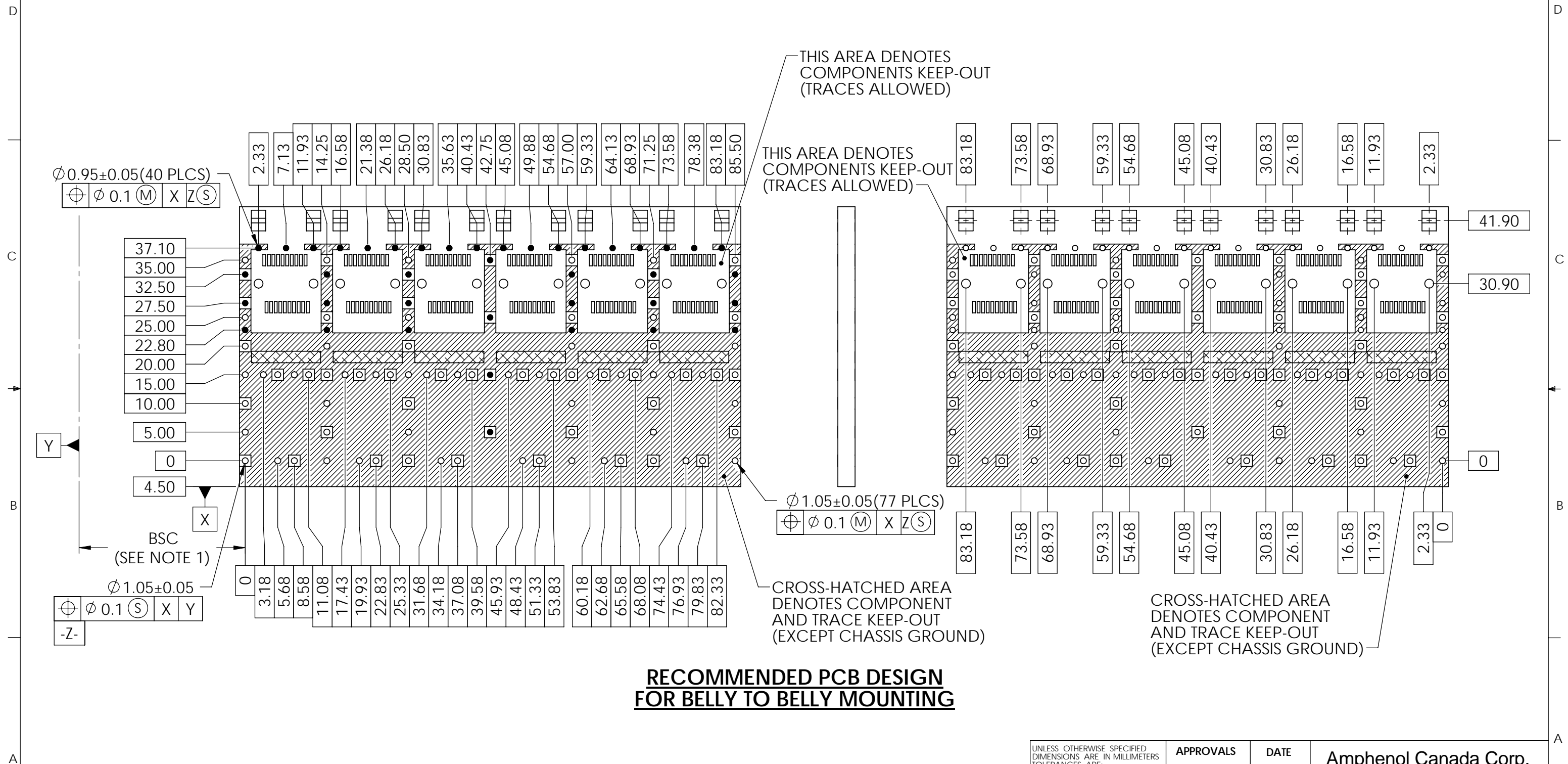
**DO NOT SCALE DRAWING**

THIS DOCUMENT CONTAINS PROPRIETARY INFORMATION AND SUCH INFORMATION MAY NOT BE DISCLOSED TO OTHERS FOR ANY PURPOSE OR USED FOR MANUFACTURING PURPOSES WITHOUT PERMISSION FROM AMPHENOL CANADA CORP.

UNLESS OTHERWISE SPECIFIED DIMENSIONS ARE IN MILLIMETERS TOLERANCES ARE:		APPROVALS	DATE	Amphenol Canada Corp.	
DECIMALS X.X ± 0.38 X.XX ± 0.25	ANGLES ± 1°	DRAWN J.SI	JUL21/09	TITLE	
MATERIAL AND FINISH SEE NOTE 1		DESIGNED		1XN SFP+ CAGE ELASTOMER EMI GASKET, WITH LIGHT PIPE	
REF.		CHECKED		SIZE A3	DWG. NO P-U77-CX41M-X081
CODE IDENT. NO. 03554		QA APPD		SCALE 1:1	PROJECT
		IE APPD			REV. A
		DWG APPD			SHEET 10 OF 11

- NOTES:  
 1. DATUM AND BASIC DIMENSIONS ESTABLISHED BY CUSTOMER.  
 2. PADS AND VIAS ARE CHASSIS GROUND.  
 3. THRU-HOLES, PLATING OPTIONAL.  
 4. SEE DRAWINGS P-UX76-A20-X00XX FOR CONNECTOR LAYOUT.

REVISIONS				
REV.	ECN/E-R	DESCRIPTION	DATE	APPROVED
A		PROPOSAL	JUL22/09	



**RECOMMENDED PCB DESIGN FOR BELLY TO BELLY MOUNTING**

**DO NOT SCALE DRAWING**

THIS DOCUMENT CONTAINS PROPRIETARY INFORMATION AND SUCH INFORMATION MAY NOT BE DISCLOSED TO OTHERS FOR ANY PURPOSE OR USED FOR MANUFACTURING PURPOSES WITHOUT PERMISSION FROM AMPHENOL CANADA CORP.

UNLESS OTHERWISE SPECIFIED DIMENSIONS ARE IN MILLIMETERS TOLERANCES ARE:  DECIMALS      ANGLES X.X ± 0.38      ± 1° X.XX ± 0.25	<b>APPROVALS</b>	<b>DATE</b>	<b>Amphenol Canada Corp.</b>  TITLE <b>1XN SFP+ CAGE ELASTOMER EMI GASKET, WITH LIGHT PIPE</b>	
	DRAWN	J.SI		JUL21/09
	DESIGNED			
	CHECKED			
MATERIAL AND FINISH SEE NOTE 1	QA APPD			
REF.	IE APPD			
CODE IDENT. NO. 03554	DWG APPD			
			SIZE A3 DWG. NO. P-U77-CX41M-X081 REV. A	
			SCALE 3:2 PROJECT SHEET 11 OF 11	