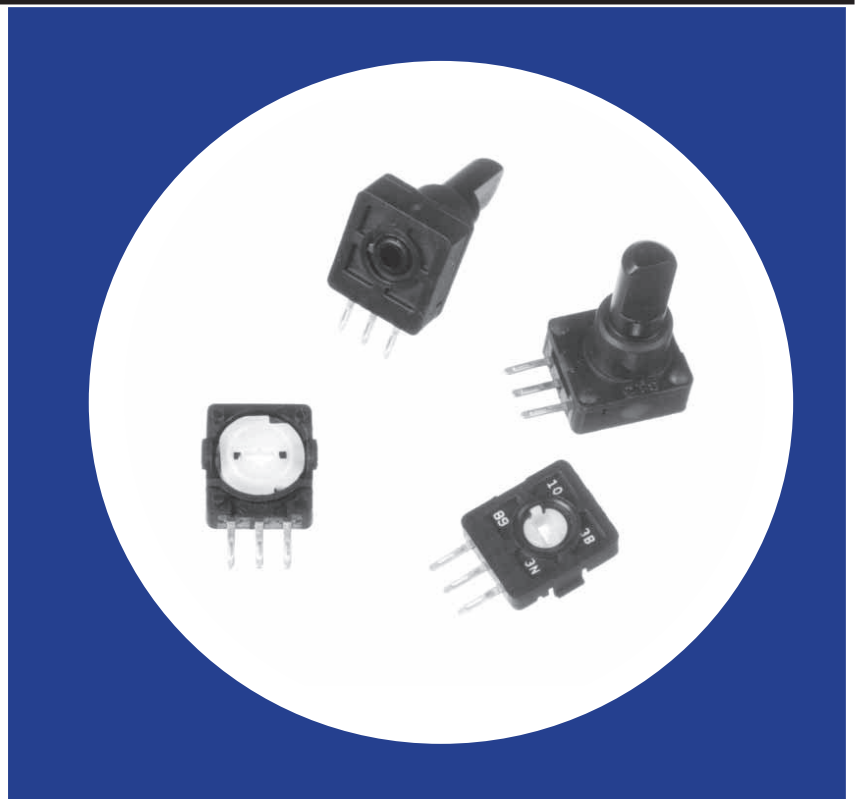


Long Life 9mm Carbon Composition Rotary Potentiometer

Features

- 1M Cycle Life Available
- Miniature 9mm Size
- Light Rotational Torque
- Molded Shaft or Rotor Available
- Sturdy Insert Molded Terminal
- Low Noise
- Low Cost
- RoHS compliant



Electrical and Mechanical Specifications

Resistance Range

10 K through 200 K ohms, linear

Resistance Tolerance

± 10%, ± 20%, ± 30%

Power Rating

0.01 watts @ 50°C

Dielectric Strength

250 VAC for 1 minute

Maximum Operating Voltage

50 VAC, 5 VDC

Insulation Resistance

100 Megohm minimum @ 250 VDC

Angle of Rotation

Total Rotational Angle: 300°

Effective Electrical Angle: 40°, 60°, 110°, 280°

Rotational Torque

3 to 30 gf-cm

Stop Strength

3 kgf-cm minimum

Push-Pull Strength on Shaft

5 kg for 10 seconds

Rotational Life

250,000 cycles (240° to 280° effective electrical angle)

1,000,000 cycles (40° to 110° effective electrical angle)

Operating Temperature

- 10°C to 70°C

Solder Heat Resistance

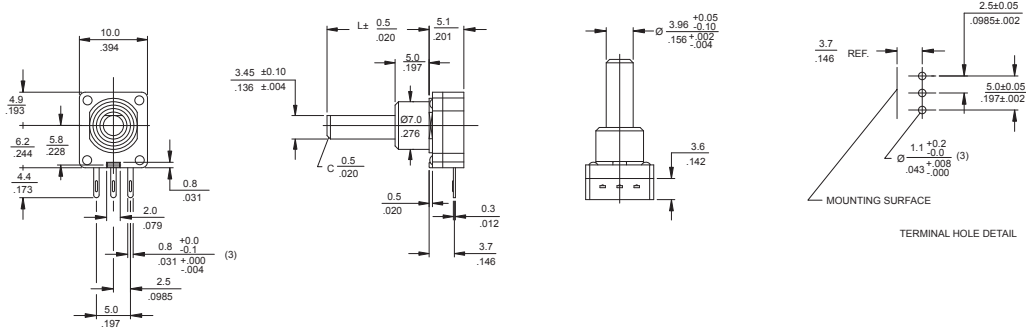
260°C for 5 seconds

Mounting Information

Bushing Mount

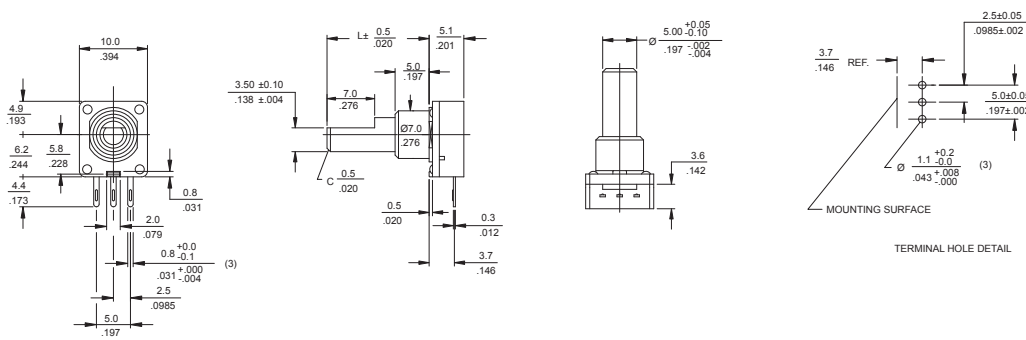
Snap-in Mount

"T" Shaft Trim, Bushing Mount



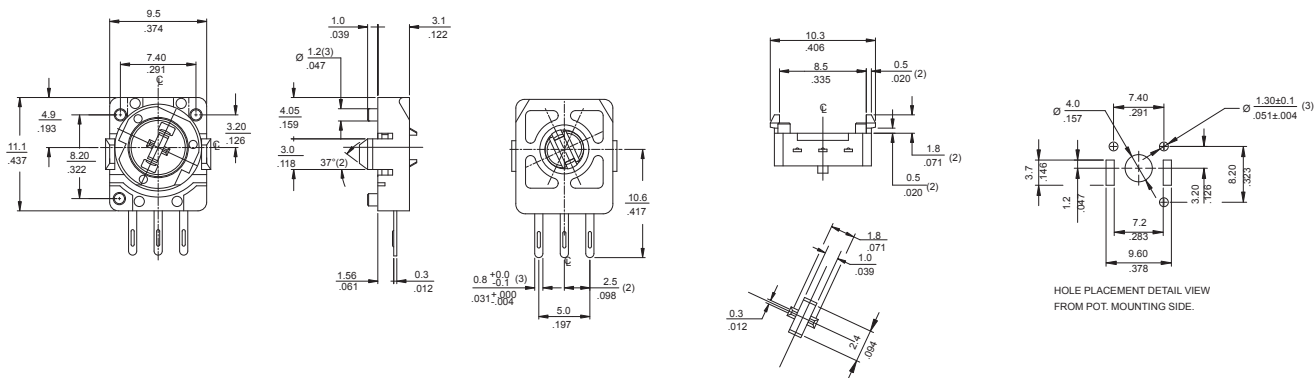
DIMENSION: $\frac{\text{mm}}{\text{INCH}}$

"F" Shaft Trim, Bushing Mount



DIMENSION: $\frac{\text{mm}}{\text{INCH}}$

Slotted Rotor, Snap-in Mount



DIMENSION: $\frac{\text{mm}}{\text{INCH}}$

Ordering Information

