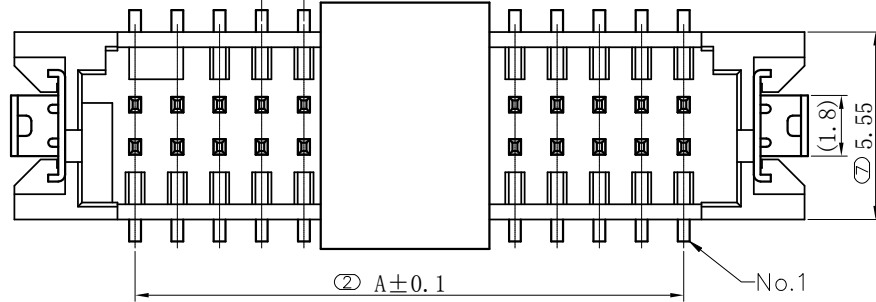


1.25±0.1(Pitch) 非累积公差

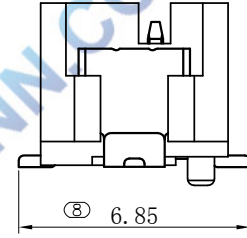
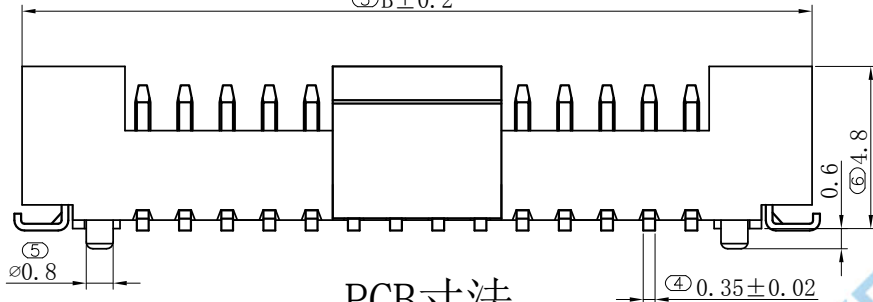


② A±0.1

No.1

5.55
(1.8)

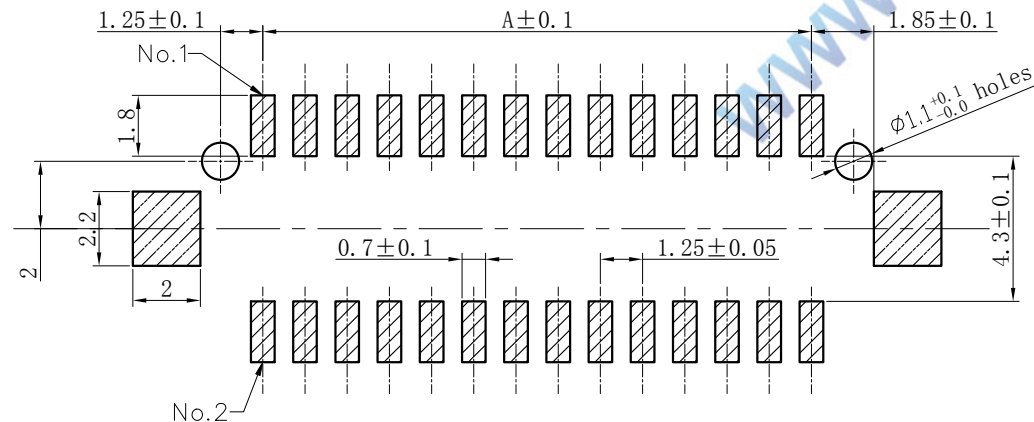
③ B±0.2



⑧ 6.85

PCB寸法

PCB Layout



No.1

φ1.1±0.1 holes

No.2

SPECIFICATIONS

- 1.Voltage rating: 150V AC, DC
- 2.Current rating: 1A, AC, DC
- 3.Withstanding Voltage: 500V AC/minute
- 4.Insulation resistance:500M min
- 5.Temperature range: -25 ° C-+85 ° C
- 6.Contact resistance: 30m max

WAFER

Housing Material: PA9T UL 94V0
 Pin Material: Phosphor Bronze or Brass
 Contact Area Plating: Plated Tin or Plated Gold
 Mates with :P1254-2xXX series Housing
 Poles:10P-50P
 Part No.: M1254RS-xx-9T-R

R=卷装 无=管装

Pin位数

PART NO	Dimensions	
	A	B
2X5 PIN	5.00	12.15
2X7 PIN	7.50	14.65
2X10 PIN	11.25	18.40
2X15 PIN	17.50	24.65
2X20 PIN	23.75	30.90

				TOLERANCE UNLESS OTHERWISE		DRAWN	CK tan	XFCN兴飞连接器有限公司 CONNECTORS XFCN CONNECTORS CO., LTD.		SHEET	1/1
				X.	±0.30	X°	±5°			CHKD	DATE
				.X	±0.20	.X°	±2°	APPD	PRODUCT NAME	1.25mm Crimp Style Connectors	
				.XX	±0.08	.XX°	±1°	VIEW	PART. NO.	M1254VS-2xXX-9T	
				.XXX	±0.03	.XXX°	±0.5°			DWG NO.	009
AO	MODIFICATION	DRAW	DATE								