

**PLEASE CHECK WWW.MOLEX.COM FOR LATEST PART INFORMATION**

**Part Number:** [0014567137](#)  
**Status:** **Active**  
**Overview:** [cgrid\\_sl\\_products](#)  
**Description:** 2.54mm (.100") Pitch SL™ Insulation Displacement Connector Assembly, Female, Single Row, Version G, Positive Lock, Wire Size 22, 0.38µm (15µ") Gold (Au), 13 Circuits

**Documents:**

[3D Model](#) [Product Specification PS-70400 \(PDF\)](#)  
[Drawing \(PDF\)](#) [RoHS Certificate of Compliance \(PDF\)](#)

**Agency Certification**

CSA LR19980  
 UL E29179

**General**

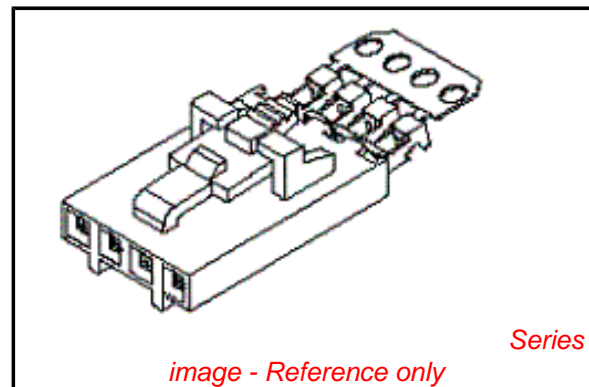
Product Family Ribbon Cable / Wire Trap Connectors  
 Series [70400](#)  
 Comments Terminals Preloaded  
 Component Type Housing  
 Glow-Wire Compliant No  
 Overview [cgrid\\_sl\\_products](#)  
 Product Name SL™

**Physical**

Circuits (Loaded) 13  
 Color - Resin Black  
 Durability (mating cycles max) 50  
 Entry Angle Vertical  
 Flammability 94V-0  
 Lock to Mating Part Yes  
 Material - Metal Phosphor Bronze  
 Material - Plating Mating Gold  
 Material - Plating Termination Tin  
 Material - Resin Polyester Alloy  
 Number of Rows 1  
 PCB Retention None  
 Packaging Type Tube  
 Pitch - Mating Interface (in) 0.100 In  
 Pitch - Mating Interface (mm) 2.54 mm  
 Plating min: Mating (µin) 15  
 Plating min: Mating (µm) 0.375  
 Plating min: Termination (µin) 75  
 Plating min: Termination (µm) 1.875  
 Polarized to Mating Part Yes  
 Stackable Yes  
 Surface Mount Compatible (SMC) N/A  
 Temperature Range - Operating -40°C to +105°C  
 Termination Interface: Style IDT or Pierce  
 Wire Insulation Diameter 1.35mm (.053") max.  
 Wire Size AWG 22  
 Wire/Cable Type Discrete Wire, Ribbon Cable

**Electrical**

Current - Maximum per Contact 3A  
 Voltage - Maximum 250V



**EU RoHS**

**ELV and RoHS Compliant**  
**REACH SVHC Not Reviewed**  
**Halogen-Free Status Not Reviewed**

**China RoHS**



**Need more information on product environmental compliance?**

Email [productcompliance@molex.com](mailto:productcompliance@molex.com)  
 For a multiple part number RoHS Certificate of Compliance, [click here](#)

Please visit the [Contact Us](#) section for any non-product compliance questions.

**Search Parts in this Series**

[70400Series](#)

**Mates With**

[70018](#) , [70107A/B](#), [70543](#), [70545](#) , [70553](#) , [70555](#)

**Use With**

[7307](#) Tinned 28AWG, [7767](#) Topcoat 28AWG, [24241](#) Tinned 26AWG, [8996](#) Topcoat 26AWG, [24226](#) Tinned 24AWG, [8997](#) Topcoat 24AWG, [24369](#) High Flex 26AWG, [24389](#) High Flex 24AWG

**Application Tooling | FAQ**

*Tooling specifications and manuals are found by selecting the products below. Crimp Height Specifications are then contained in the Application Tooling Specification document.*

**Global**

| Description                   | Product #                  |
|-------------------------------|----------------------------|
| Hawk Semi- Automatic Discrete | <a href="#">0011201337</a> |

## Material Info

## Reference - Drawing Numbers

Product Specification  
Sales Drawing

PS-70400  
SDA-70400-2976-2999

|   |                   |
|---|-------------------|
| Wire Terminator for<br>SL - Rebuilt US*             |                   |
| Hawk™ Ribbon  | <u>0623003000</u> |
| Cable Terminator for<br>SL without Break-off        |                   |
| Hawk™ Semi-<br>Automatic Discrete                   | <u>0623004900</u> |
| Wire Terminator<br>for SL - Rebuilt CE<br>Approved* |                   |
| Hawk™ Flat Flex                                     | <u>0623005200</u> |
| Cable Terminator for<br>SL with Break-off           |                   |
| Hawk™ Ribbon  | <u>0623005300</u> |
| Cable Terminator<br>with for SL Break-off           |                   |
| IDT Discrete  | <u>0621000700</u> |
| Handtool Module for<br>SL™                          |                   |
| Hawk™ Semi-<br>Automatic Discrete                   | <u>0623003100</u> |
| Wire Terminator for<br>SL                           |                   |

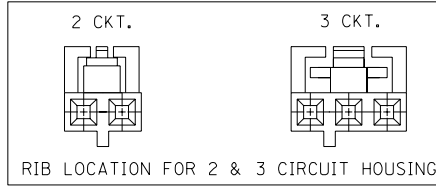
This document was generated on 05/21/2010

**PLEASE CHECK [WWW.MOLEX.COM](http://WWW.MOLEX.COM) FOR LATEST PART INFORMATION**

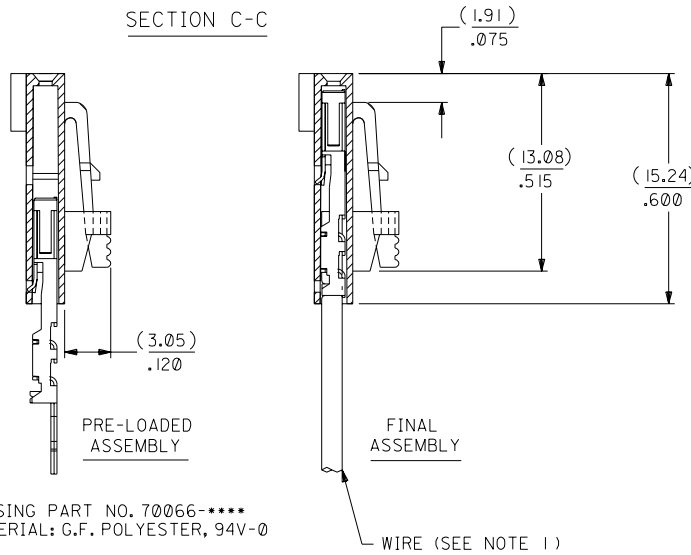
# OPTION G

## NOTES:

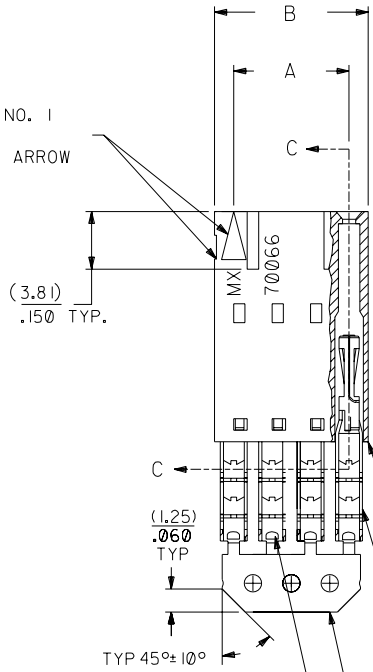
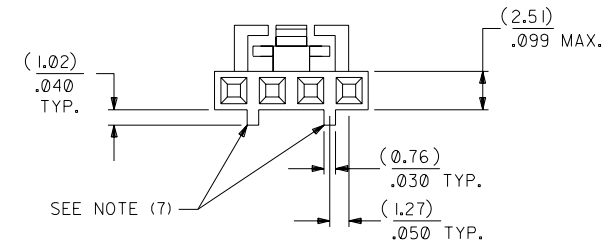
- TO BE USED WITH (22) AWG. STRANDED WIRE WITH (1.35)/.053 DIA. MAX. INSULATION.
- SEE CHART FOR CIRCUIT SIZES.
- STANDARD PACKAGING PER PK-70873-0001. OPTIONAL PACKAGING MAY BE AVAILABLE, REQUEST DWG. PK-70400
- PARTS STACKABLE END TO END ON (2.54)/.100 CENTERS.
- REFER TO PRODUCT SPECIFICATION: PS-70400.
- SEE DWG. SDA-70400-\*\*\*\* (SHT. 5) FOR OPTIONAL HOUSING DETAILS.
- 4 CIRCUIT SHOWN. 4 - 25 CKT'S. HAVE (2) RIBS.
- TO MATE WITH MOLEX PART NO'S.: A-70373-\*\*\*\*, A-70375-\*\*\*\*, A-70389-\*\*\*\*, A-70391-\*\*\*\*, 70107-\*\*\*\*, 70018-\*\*\*\*, A-70543-\*\*\*\*, A-70553-\*\*\*\*, A-70541-\*\*\*\*, A-70551-\*\*\*\*, A-70545-\*\*\*\*, A-70555-\*\*\*\*.
- 2 CIRCUIT ASSEMBLIES SUPPLIED AS GROUPED PAIRS.



## SECTION C-C



CIRCUIT NO. 1  
SLOT OR ARROW



HOUSING PART NO. 70066-\*\*\*\*  
MATERIAL: G.F. POLYESTER, 94V-0

TERMINAL PART NO. 70028-\*\*\*\*  
MATERIAL: PHOSPHOR BRONZE  
PLATING PER ES-88-\*\*\*

15 GOLD - .000015 MIN. GOLD IN SELECT AREA WITH .000075 MIN. TIN IN SELECT AREA OVER .000050 MIN. NICKEL OVER-ALL.

\*THE PRIMARY SHIPPING CARTON WILL BE LABELED "COMPLIANT TO ROHS DIRECTIVE 2002/95/EC AND ELV ANNEX II OF DIRECTIVE 2000/53/EC". CARTONS WITHOUT THIS LABEL MAY CONTAIN PRODUCT WITH LEAD.

| I.D. SLOT CODE TO WIRE GAUGE CHART |            |
|------------------------------------|------------|
| I.D. SLOT CODE                     | WIRE GAUGE |
| D                                  | 22 AWG.    |

| PLATING CODE (STRIPE ON CARRIER STRIP) |        |
|--|--------|
| PLATING                                | COLOR  |
| 15 GOLD                                | YELLOW |

| CKT. SIZE | A                  | B                  | EDP. NO.   | ENG. NO.     |
|-----------|--------------------|--------------------|------------|--------------|
| 2         | ( 2.54 )<br>.100   | ( 5.05 )<br>.199   | 14-56-7027 | A-70400-2976 |
| 3         | ( 5.08 )<br>.200   | ( 7.59 )<br>.299   | 14-56-7037 | A-70400-2977 |
| 4         | ( 7.62 )<br>.300   | ( 10.13 )<br>.399  | 14-56-7047 | A-70400-2978 |
| 5         | ( 10.16 )<br>.400  | ( 12.67 )<br>.499  | 14-56-7057 | A-70400-2979 |
| 6         | ( 12.70 )<br>.500  | ( 15.21 )<br>.599  | 14-56-7067 | A-70400-2980 |
| 7         | ( 15.24 )<br>.600  | ( 17.75 )<br>.699  | 14-56-7077 | A-70400-2981 |
| 8         | ( 17.78 )<br>.700  | ( 20.29 )<br>.799  | 14-56-7087 | A-70400-2982 |
| 9         | ( 20.32 )<br>.800  | ( 22.83 )<br>.899  | 14-56-7097 | A-70400-2983 |
| 10        | ( 22.86 )<br>.900  | ( 25.37 )<br>.999  | 14-56-7107 | A-70400-2984 |
| 11        | ( 25.54 )<br>1.000 | ( 27.91 )<br>1.099 | 14-56-7117 | A-70400-2985 |
| 12        | ( 27.94 )<br>1.100 | ( 30.45 )<br>1.199 | 14-56-7127 | A-70400-2986 |
| 13        | ( 30.48 )<br>1.200 | ( 32.99 )<br>1.299 | 14-56-7137 | A-70400-2987 |
| 14        | ( 33.02 )<br>1.300 | ( 35.53 )<br>1.399 | 14-56-7147 | A-70400-2988 |
| 15        | ( 35.56 )<br>1.400 | ( 38.07 )<br>1.499 | 14-56-7157 | A-70400-2989 |
| 16        | ( 38.01 )<br>1.500 | ( 40.61 )<br>1.599 | 14-56-7167 | A-70400-2990 |
| 17        | ( 40.64 )<br>1.600 | ( 43.15 )<br>1.699 | 14-56-7177 | A-70400-2991 |
| 18        | ( 43.18 )<br>1.700 | ( 45.69 )<br>1.799 | 14-56-7187 | A-70400-2992 |
| 19        | ( 45.72 )<br>1.800 | ( 48.23 )<br>1.899 | 14-56-7197 | A-70400-2993 |
| 20        | ( 48.26 )<br>1.900 | ( 50.77 )<br>1.999 | 14-56-7207 | A-70400-2994 |
| 21        | ( 50.80 )<br>2.000 | ( 53.31 )<br>2.099 | 14-56-7217 | A-70400-2995 |
| 22        | ( 53.34 )<br>2.100 | ( 55.85 )<br>2.199 | 14-56-7227 | A-70400-2996 |
| 23        | ( 55.88 )<br>2.200 | ( 58.39 )<br>2.299 | 14-56-7237 | A-70400-2997 |
| 24        | ( 58.42 )<br>2.300 | ( 60.93 )<br>2.399 | 14-56-7247 | A-70400-2998 |
| 25        | ( 60.96 )<br>2.400 | ( 63.47 )<br>2.499 | 14-56-7257 | A-70400-2999 |

| LTR. | REVISIONS                                    | LTR. | REVISIONS |
|------|--|------|-----------|
|      | E I  |      | D         |
|      | E  |      | D         |
| F    | LEAD FREE<br>UCP2004-1769<br>RWHITE 04/03/22 |      |           |

| DIMENSIONS SHOWN (METRIC) INCH                        |        |
|---|--------|
| UNLESS OTHERWISE SPECIFIED TOLERANCES: ANGULAR ± 1/2° |        |
| INCH  | METRIC |
| 3 PLACE ± .010  | ---    |
| 2 PLACE ± .014  | ± 0.25 |
| 1 PLACE ---   | ± 0.35 |

| REVISIONS  |  | MFG. SH. REV.   |  |
|--|--|---|--|
| ADD CARRIER CHAMF<br>ECN # UDT1998-0280<br>05/20/98 LMCCRATH |  | REVISE ONLY ON CAD SYSTEM   |  |
| REVISED PER<br>ECR# U00049<br>9-29-90 MGB                    |  | TITLE<br>ASSEMBLY, SL CONNECTOR<br>(SINGLE ROW- (2.54)/.100 GRID) |  |
| REVISED PER<br>ECN# U90726<br>7-10-89 MGB                    |  | MOLEX INCORPORATED<br>LITSE, ILL. 60532 U.S.A.                    |  |
| LEAD FREE<br>UCP2004-1769<br>RWHITE 04/03/22                 |  | SHEET NO. DATE<br>10/26/87  |  |
| LTR. REVISIONS   |  | PART NO. DRWG. NO.<br>SEE CHART SDA-70400-2976-2999               |  |
| LTR. REVISIONS   |  | FILE NAME DIV. SIZE<br>74002976 DIV. DA C                         |  |