

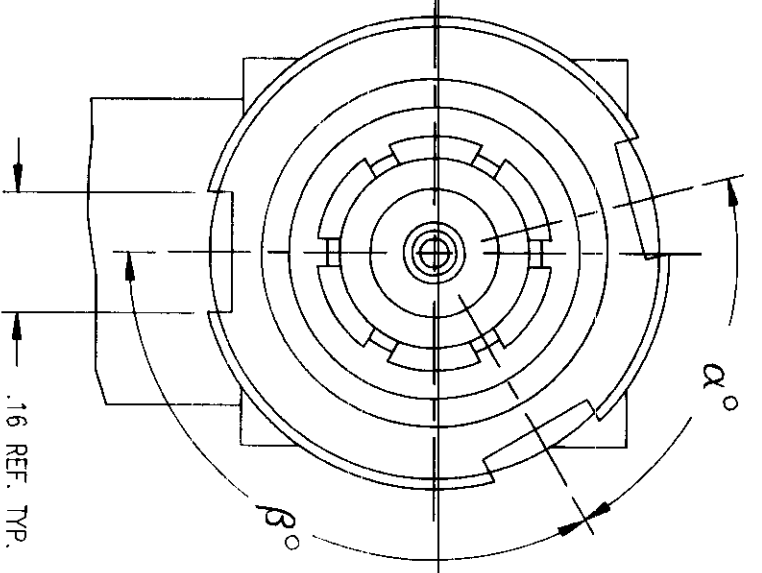
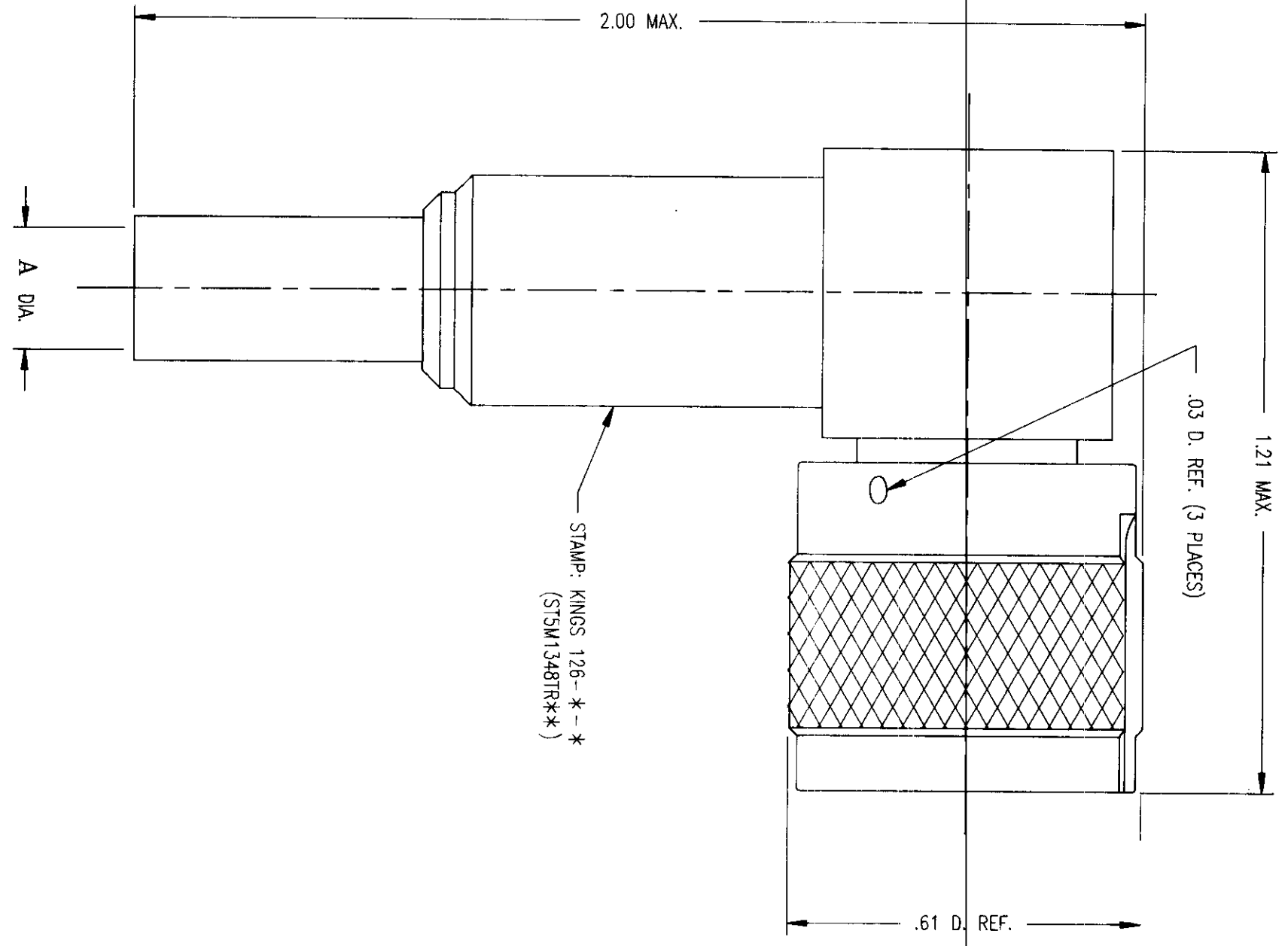
DASH NO. M CODE

MADE FROM

GSD

126-*-* (SHEET 1 OF 2)

| REVISIONS | |
|-----------|---------------------------------------|
| ISSUE | CHANGES |
| 1 | CN 32553 E REDRAWN JCA 10/04/90 |



NOTES:

1. MATERIALS:
INSULATOR: TEFLON, ASTM-D-1457
GASKET: SIL. RUB., ZZ-R-765
CONTACTS } BER. COP., ASTM-B-196
C-RING }
K-GRIP SLEEVE: COM. BRONZE TUBE, ALLOY 220
ALL OTHER PARTS: BRASS, QQ-B-626
2. FINISHES:
CENTER CONTACT: HARD GOLD PLT. PER MIL-G-45204
ALL OTHER METAL PARTS: SILVER PLT. PER QQ-S-365
3. ELECTRICAL CHARACTERISTICS:
NOMINAL IMPEDANCE: 50 OHMS
VOLTAGE RATING: 500 VRMS
FREQUENCY RANGE: DC TO 11 GHZ

GSD

TNC ANGLE PLUG

| | |
|---------------------|--------------------|
| SCALE | 4:1 |
| APPROX SURFACE AREA | |
| USED ON | |
| REF: | MC AIR STM1348TR** |
| DRAWN | JCA DATE 10/04/90 |
| DESIGN | MJB DATE 10/04/90 |
| APPR. | DATE |

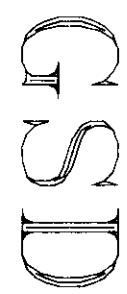
KINGS
ELECTRONICS CO., INC.
TUCKAHOE, NEW YORK 10707

126-*-*
(SHEET 1 OF 2)

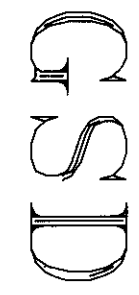
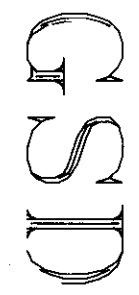
| KINGS NO. | MCDONNELL DOUGLAS NO. | A DIA. | α° | β° | CABLE GROUPS | JACKET TRIM JIG | DIELECTRIC TRIM JIG | CRIMP DIE |
|-----------|-----------------------|--------|----------------|---------------|--|-----------------|---------------------|-----------|
| 126-1-1 | STSM1348TR1B | | 72 | 120 | FOR USE WITH RG-142, 223 & 400/U CABLE GROUPS. | | KTD-166 | |
| 126-1-2 | STSM1348TR2B | | 96 | 96 | | | | |
| 126-1-3 | STSM1348TR3B | | 120 | 144 | | | | |
| 126-1-4 | STSM1348TR4B | .22 D. | 72 | 144 | | | | |
| 126-1-5 | STSM1348TR5B | | 120 | 120 | | | | |
| 126-1-6 | STSM1348TR6B | | 120 | 72 | | | | |
| 126-1-7 | STSM1348TR7B | | 120 | 96 | | | | |
| 126-1-8 | STSM1348TR8B | | 110 | 72 | | | | |
| 126-2-1 | STSM1348TR1C | | 72 | 120 | | | | |
| 126-2-2 | STSM1348TR2C | | 96 | 96 | | | | |
| 126-2-3 | STSM1348TR3C | | 120 | 144 | FOR USE WITH G.D. 5M1010-1 CABLE. | KTD-24 | KTH-2001 | |
| 126-2-4 | STSM1348TR4C | | 72 | 144 | | | | |
| 126-2-5 | STSM1348TR5C | | 120 | 120 | | | | |
| 126-2-6 | STSM1348TR6C | | 120 | 72 | | | | |
| 126-2-7 | STSM1348TR7C | | 120 | 96 | | | | |
| 126-2-8 | STSM1348TR8C | .21 D. | 110 | 72 | | | | |
| 126-3-1 | STSM1348TR1D | | 72 | 120 | | | | |
| 126-3-2 | STSM1348TR2D | | 96 | 96 | | | | |
| 126-3-3 | STSM1348TR3D | | 120 | 144 | | | | |
| 126-3-4 | STSM1348TR4D | | 72 | 144 | | | | |
| 126-3-5 | STSM1348TR5D | | 120 | 120 | FOR USE WITH G.D. STSM1347 CABLE. | KTD-244 | | |
| 126-3-6 | STSM1348TR6D | | 120 | 72 | | | | |
| 126-3-7 | STSM1348TR7D | | 120 | 96 | | | | |
| 126-3-8 | STSM1348TR8D | | 110 | 72 | | | | |
| 126-4-1 | STSM1348TR1E | | 72 | 120 | | | | |
| 126-4-2 | STSM1348TR2E | | 96 | 96 | | | | |
| 126-4-3 | STSM1348TR3E | | 120 | 144 | | | | |
| 126-4-4 | STSM1348TR4E | | 72 | 144 | | | | |
| 126-4-5 | STSM1348TR5E | .18 D. | 120 | 120 | | | | |
| 126-4-6 | STSM1348TR6E | | 120 | 72 | | | | |
| 126-4-7 | STSM1348TR7E | | 120 | 96 | FOR USE WITH G.D. STSM1351 & RG-180 CABLE. | KTD-161 | KTH-2007 | |
| 126-4-8 | STSM1348TR8E | | 110 | 72 | | | | |

126-*-* (SHEET 2 OF 2)

| REVISIONS | |
|-----------|---------------------------------------|
| ISSUE | CHANGES |
| 1 | CN 32553 E REDRAWN JCA 10/04/90 |



| | |
|-----------------------|---------------------|
| SCALE | 1:1 |
| APPROX SURFACE AREA | |
| USED ON | |
| REF: | MC AIR STSM1348TR** |
| TNC ANGLE PLUG | |
| DRAWN | JCA DATE 10/04/90 |
| DESIGN | MJB DATE 10/04/90 |
| APPR. | DATE |



KINGS
ELECTRONICS CO., INC.
TUCKAHOE, NEW YORK 10707

126-*-*
(SHEET 2 OF 2)