

**P/N: VP2019X DATA SHEET**

Page : 1/1

**Feature**

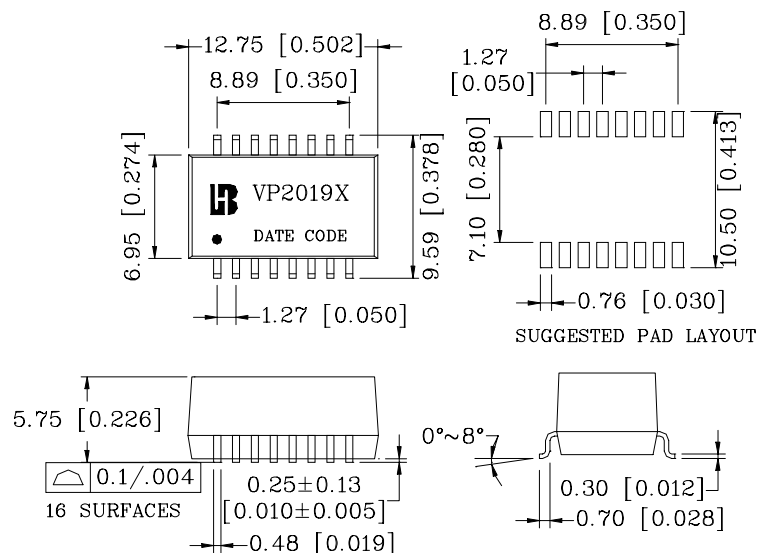
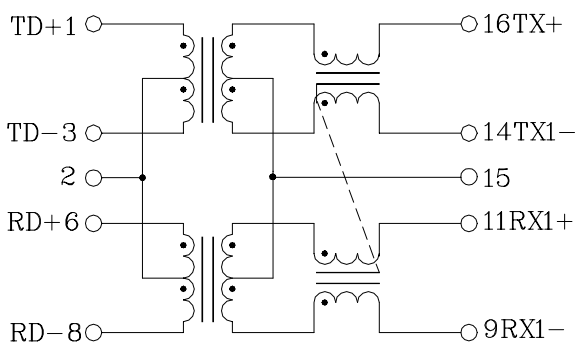
- IEEE 802.3af/ANSI X3.263 compliant performance.
- 350mA current capability.
- Designed to for IP phone or switch applications.
- Compact footprint.
- Operating temperature range: 0°C to +70°C.
- Storage temperature range: -25°C to +125°C.

**Electrical Specifications @ 25°C**

Part Number	Turns Ratio (±5%) TX/RX	Cross talk (dB Min)			HI-POT (Vrms)
		30MHz	60MHz	100MHz	
VP2019X	1CT:1CT	-45	-40	-35	1500

**Continue**

Part Number	Insertion Loss (dB Max)	Return Loss (dB Min)@Load 100Ω				DCMR (dB Min)		
		1-30MHz	40MHz	50MHz	60-80MHz	30MHz	60MHz	100MHz
VP2019X	-1.2	-16	-14	-13	-12	-43	-37	-33

**Schematic****Mechanical**

Units: mm [Inches] Tolerance: xx.x0±0.25 [0.010]  
0.xx±0.05 [0.002]