

**PLEASE CHECK WWW.MOLEX.COM FOR LATEST PART INFORMATION**

**Part Number:** **0196060006**  
**Status:** **Active**  
**Description:** Avikrimp™ Fully Insulated Quick Disconnect, Female, for 10-12 AWG Wire, Mylar Tape

**Documents:**

[Drawing \(PDF\)](#) [RoHS Certificate of Compliance \(PDF\)](#)

**Agency Certification**

CSA LR18689  
 UL E79133

**General**

Product Family Quick Disconnects  
 Series 19606  
 Crimp Quality Equipment Yes  
 Product Name Avikrimp™  
 Type Quick Disconnect

**Physical**

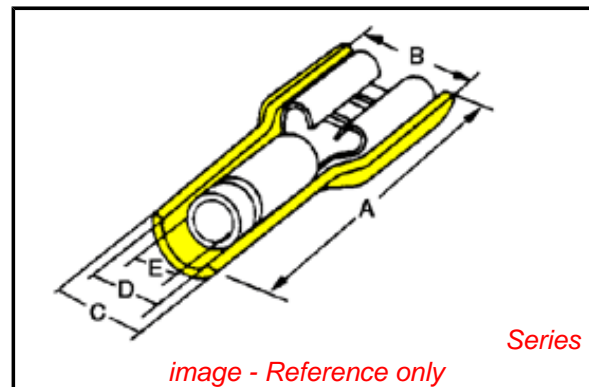
Barrel Type Closed  
 Flammability 94V-0  
 Gender Female  
 Glow-Wire Compliant No  
 Insulation Nylon (PA)  
 Lock to Mating Part None  
 Material - Metal Brass  
 Material - Plating Mating Tin  
 Material - Plating Termination Tin  
 Orientation Straight  
 Packaging Type Adhesive Tape on Reel  
 Plating min: Mating (µin) 100  
 Plating min: Mating (µm) 2.5  
 Plating min: Termination (µin) 100  
 Plating min: Termination (µm) 2.5  
 Polarized to Mating Part No  
 Tab Thickness 0.81mm (.032")  
 Tab Width 6.35mm (.250")  
 Temperature Range - Operating -65°C to +105°C  
 Termination Interface: Style Crimp or Compression  
 Wire Insulation Diameter 5.84mm (.230") max.  
 Wire Size AWG 10, 12  
 Wire Size mm² 3.30 - 5.00

**Electrical**

Voltage - Maximum 300V

**Material Info**

Old Part Number C-5293T



**EU RoHS**

**ELV and RoHS Compliant**  
**REACH SVHC**  
 Not Reviewed  
**Halogen-Free Status**  
**Not Reviewed**

**China RoHS**



**Need more information on product environmental compliance?**

Email [productcompliance@molex.com](mailto:productcompliance@molex.com)  
 For a multiple part number RoHS Certificate of Compliance, [click here](#)

Please visit the [Contact Us](#) section for any non-product compliance questions.

**Search Parts in this Series**

19606Series

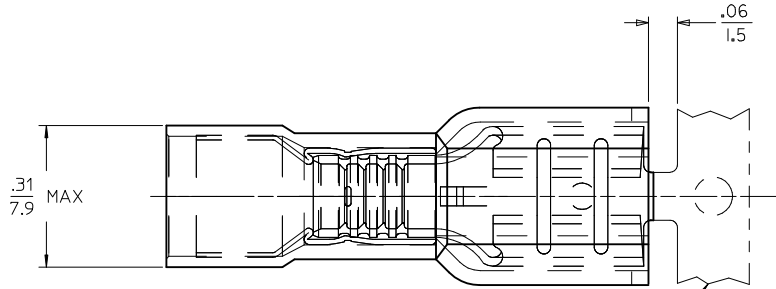
**Application Tooling | FAQ**

*Tooling specifications and manuals are found by selecting the products below. Crimp Height Specifications are then contained in the Application Tooling Specification document.*

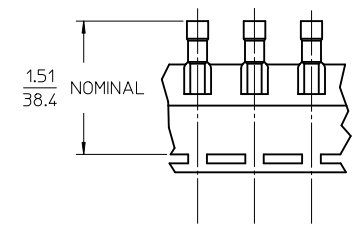
**Global**

Description	Product #
ATP Perishable Tool Kit used in ATP presses that process product on tape	<u>0190270019</u>
Mini-Mac™ Applicator	<u>0638852100</u>

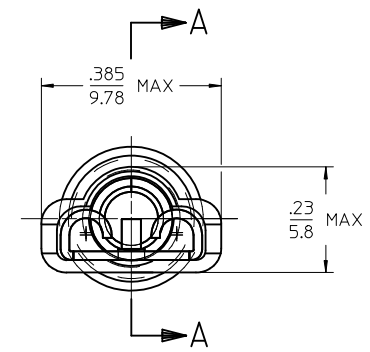
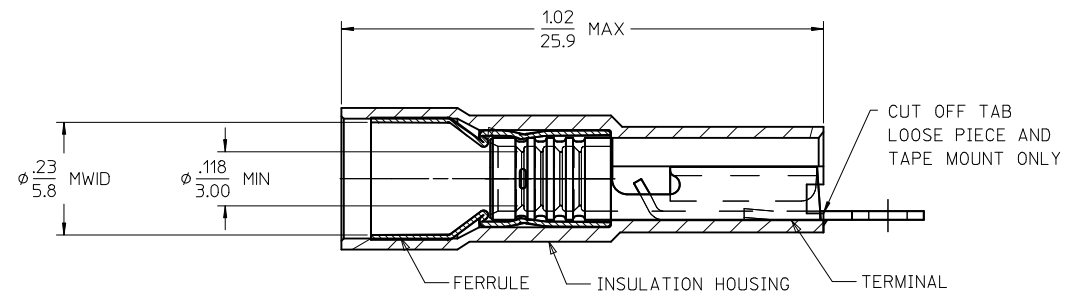
MATERIAL NO.	ENGINEERING P/N	CARRIER STYLE
196060004	C-5293Z	METAL STRIP
196060005	C-5293	LOOSE PIECE
196060006	C-5293T	TAPE MOUNT



METAL CARRIER STRIP,  
METAL STRIP PARTS ONLY



PARTS ON TAPE  
SCALE: NONE



SECTION A-A

NOTES:

- MATERIALS:  
HOUSING: 94V-2 NYLON, YELLOW  
TERMINAL: BRASS, .018/0.46 THICK REF., MATTE TIN PLATED  
FERRULE: COPPER ALLOY, MATTE TIN PLATED
- ACCEPTS TAB SIZE .250 x .032 (6.35 x 0.81).
- MWID = MAXIMUM WIRE INSULATION DIAMETER.
- PARTS ARE ROHS COMPLIANT.

<b>REVISIONS</b> RLS: FERRULE MATL EC NO: MNA2010-0610 DRW: ETHRODAHL 2010/03/31 CHKD: JMACNEIL 2010/03/31 APPR: JMACNEIL 2010/04/12	<b>QUALITY SYMBOLS</b> ▽=0 ▽=0	<b>GENERAL TOLERANCES (UNLESS SPECIFIED)</b>		<b>DIMENSION STYLE</b> IN/MM	<b>SCALE</b> 5:1	<b>DESIGN UNITS</b> INCH	THIRD ANGLE PROJECTION
		4 PLACES ± --- ± --- 3 PLACES ± --- ± --- 2 PLACES ± --- ± --- 1 PLACE ± --- ± --- ANGULAR ±1/2°	DRAWN BY ETHRODAHL DATE 2010/03/31	CHECKED BY JMACNEIL DATE 2010/03/31	APPROVED BY JMACNEIL DATE 2010/04/09	TITLE FIQD FEMALE AVIKRIMP LOW PROFILE .250X.032 TAB, 12-10 AWG	MOLEX INCORPORATED
<b>DESCRIPTION</b> A	DRAFT WHERE APPLICABLE MUST REMAIN WITHIN DIMENSIONS	<b>SEE CHART</b>		THIS DRAWING CONTAINS INFORMATION THAT IS PROPRIETARY TO MOLEX INCORPORATED AND SHOULD NOT BE USED WITHOUT WRITTEN PERMISSION			