

PLEASE CHECK WWW.MOLEX.COM FOR LATEST PART INFORMATION

Part Number: [0355240924](#)
Status: **Active**
Description: 1.78mm (.070") Tab Multiple Male Housing With Ear, 9 Circuits, Vertical, Polyester UL94V-0, Blue

Documents:

[Drawing \(PDF\)](#) [RoHS Certificate of Compliance \(PDF\)](#)
[Product Specification PS-35524-001 \(PDF\)](#)

General

Product Family	Crimp Housings
Series	35524
Comments	Polarized to Mating Part
Product Name	N/A

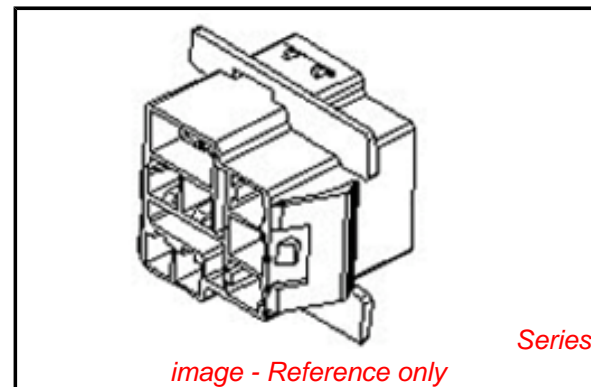
Physical

Breakaway	No
Circuits (maximum)	9
Color - Resin	Blue
Gender	Male
Glow-Wire Compliant	No
Keying to Mating Part	None
Lock to Mating Part	Yes
Material - Resin	Polyester
Number of Rows	3
Packaging Type	Bag
Panel Mount	No
Pitch - Mating Interface (in)	0.244 In, 0.287 In
Pitch - Mating Interface (mm)	6.20 mm, 7.30 mm
Stackable	No
Temperature Range - Operating	-40°C to +120°C

Material Info

Reference - Drawing Numbers

Product Specification	PS-35524-001
Sales Drawing	SD-35524-001



EU RoHS

ELV and RoHS Compliant
REACH SVHC
 Not Reviewed
Halogen-Free
Status
Not Reviewed

China RoHS



Need more information on product environmental compliance?

Email productcompliance@molex.com
 For a multiple part number RoHS Certificate of Compliance, [click here](#)

Please visit the [Contact Us](#) section for any non-product compliance questions.

Search Parts in this Series

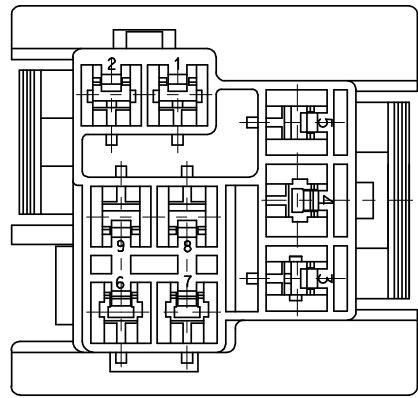
[35524Series](#)

Mates With

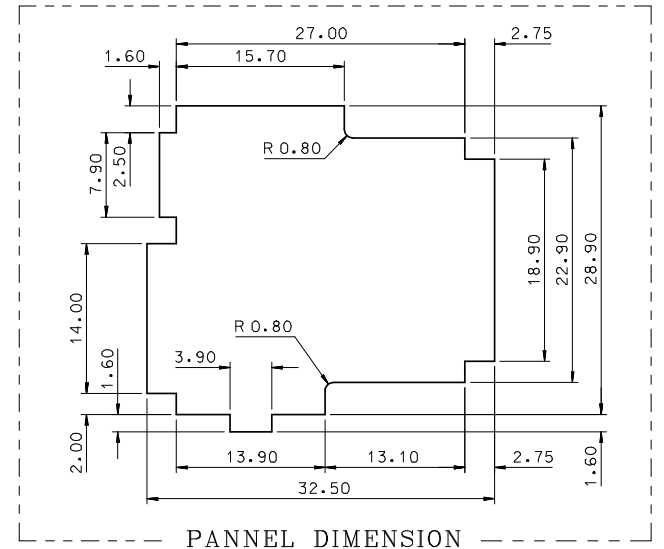
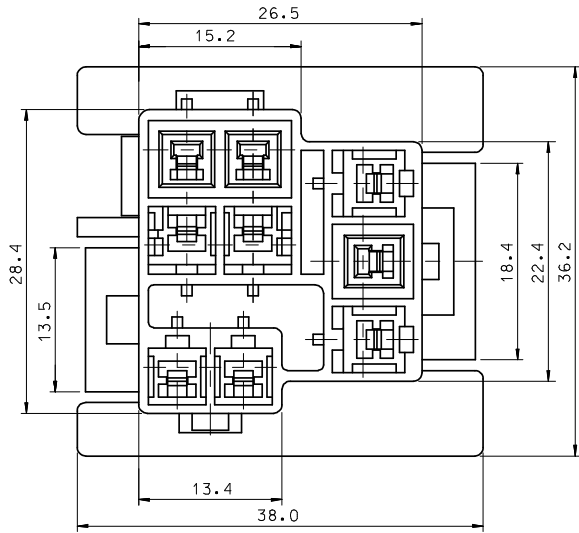
[35151](#) VersaBlade™ Hybrid Plug Housing,
[35525](#) Tab Female Housing

Use With

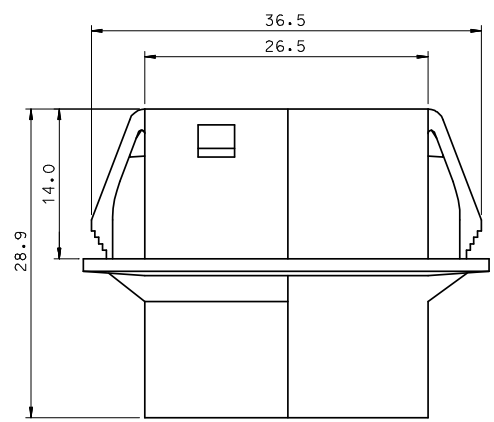
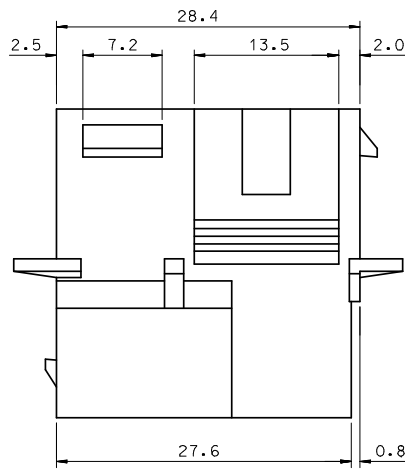
[35151](#) VersaBlade™ Hybrid Plug Housing.
[35525](#) Tab Female Housing



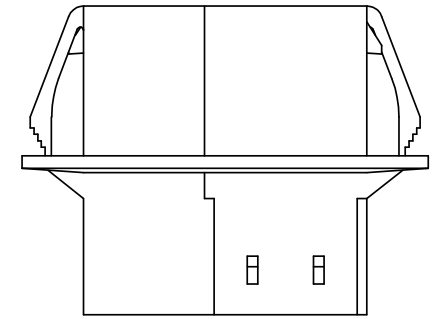
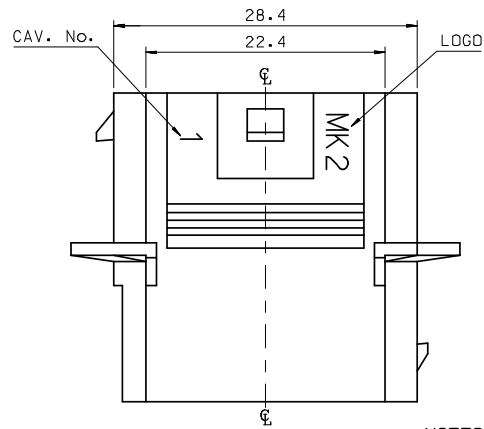
VIEW "A"



PANNEL DIMENSION



↑
"A"



- NOTES.
1. MATERIAL : SEE TABLE.
 2. MATED HOUSING : 35524-020*/35151-021*/35151-031*/35151-041*
 3. APPLICABLE TERMINAL : 35745-0*10 (1,2,3 CIRCUIT)
35746-0*10 (4,6,7 CIRCUIT)
35747-0*10 (5,8,9 CIRCUIT)
 4. MATED T.P.A : 35150-029*/35150-039*

NO	PRODUCT		MATERIAL		DESCRIPTION
	ENG NO.	MATERIAL NO.	EDP NO.	COLOR	
1	35524-0920	355240920	89992-0090	NATURAL	PBT (UL94V-0)
2	35524-0924	355240924	89992-0865	BLUE	
3	35524-0929	355240929	89992-1234	NATURAL	PBT/PC (UL94V-0)
4	35524-4929	355244929	89992-1329	BLUE	

REVISED	EC NO: KOR2008-0103	2007/12/21
DRWN:SKHAN01	2007/12/21	
CHKD:WY YANG	2007/12/21	
APPR:YUNSIKKIM	2007/12/21	
REV	DESCRIPTION	

QUALITY SYMBOLS	GENERAL TOLERANCES (UNLESS SPECIFIED)	
	mm	INCH
▽=0	4 PLACES ± ---	± ---
▽=0	3 PLACES ± ---	± ---
	2 PLACES ± ---	± ---
	1 PLACE ± 0.3	± ---
	ANGULAR ± 3°	
	DRAFT WHERE APPLICABLE MUST REMAIN WITHIN DIMENSIONS	

DIMENSION STYLE		SCALE	DESIGN UNITS	THIRD ANGLE PROJECTION
MM ONLY		2:1	METRIC	
DRAWN BY	DATE	TITLE		
SK.HAN	2007/12/13	070 MULTICONN MALE HOUSING-9P		
CHECKED BY	DATE			
WY.YANG	2007/12/13	MOLEX INCORPORATED		
APPROVED BY	DATE			
EH. JUNG	2007/12/13	SD-35524-001		
MATERIAL NO.	DOCUMENT NO.			
		SHEET NO. 1 OF 1		

SEE TABLE		THIS DRAWING CONTAINS INFORMATION THAT IS PROPRIETARY TO MOLEX INCORPORATED AND SHOULD NOT BE USED WITHOUT WRITTEN PERMISSION	
-----------	--	---	--