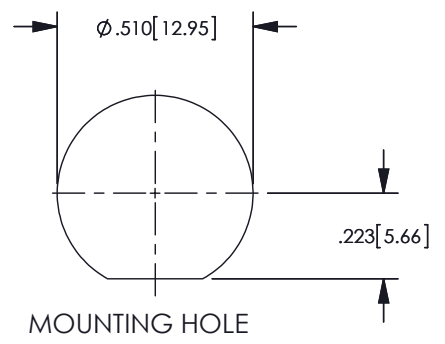
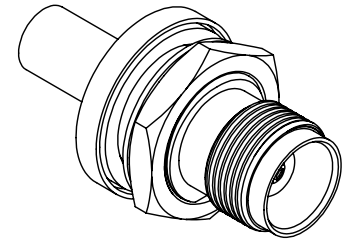
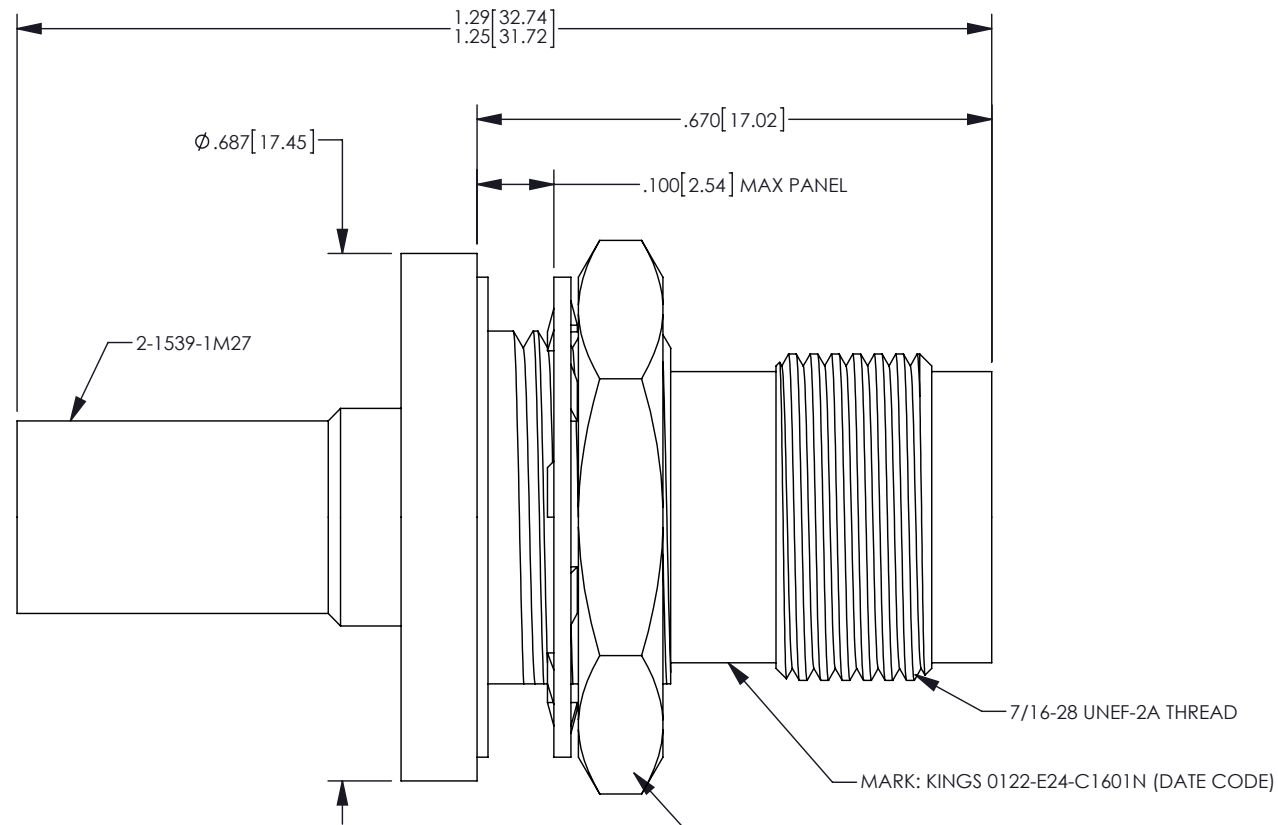


REV	DESCRIPTION	BY DATE	APPD
A	ER040573	KPL 2/21/12	DCAM



- NOTES: UNLESS OTHERWISE SPECIFIED
- FOR USE WITH BOEING BMS13-65 OF & ADAMS RUSSELL FC14Z CABLES.
  - FOR CABLING INSTRUCTIONS SEE 3-546-12.
  - FOR CRIMPING USE DIE KTH-2161.
  - INTERFACE PER MIL-STD-348, SERIES TNC, SOCKET CONTACT.
  - CENTER CONTACT, & K-GRIP SLEEVE ARE SUPPLIED UNASSEMBLED.
  - MATERIALS:  
 K-GRIP SLEEVE: COMMERCIAL BRONZE, ASTM B135  
 INSULATOR: TEFLON, ASTM D1710  
 CENTER CONTACT: BERYLLIUM COPPER, ASTM B196  
 GASKET: SILICONE RUBBER, A-A-59588  
 LOCKWASHER: PHOSPHOR. BRONZE, ASTM B103  
 ALL OTHER METAL PARTS: BRASS PER ASTM B16
  - FINISHES:  
 CENTER CONTACT: .000050 MIN GOLD PLATE PER ASTM B488 OVER  
 .000050 MIN NICKEL PER AMS-QQ-N-290 (RoHS)  
 ALL OTHER METAL PARTS: .000050 MIN NICKEL PER AMS-QQ-N-290  
 OVER COPPER PER ASTM B734 (RoHS)
  - ELECTRICAL CHARACTERISTICS:  
 NOMINAL IMPEDANCE: 50 OHMS  
 WORKING VOLTAGE: 500 VRMS  
 FREQUENCY RANGE: DC TO 11 GHz  
 VSWR: 1.30 MAX
  - WEIGHT: 15.6 GRAMS

CATALOG P/N: 0122-E24-C1601N

<small>PER ASME Y14.5M-1994 UNLESS OTHERWISE SPECIFIED: DIMENSIONS ARE IN INCHES [MM] TOLERANCES: DECIMAL: .XX [X.X] ± .01 [0.3] .XXX [X.XX] ± .005 [0.13] .XXXX [X.XXX] ± .XXXX ANGLES: ± 2° SCALE: 4:1</small>				 <small>Winchester Electronics Corporation 62 Barnes Industrial Road North Wallingford, Connecticut 06492</small>						
<b>CUSTOMER SALES DRAWING</b>				 <small>THIRD ANGLE</small>		<b>JACK, BLKHD, TNC CRIMP ATTACHMENT (RoHS COMPLIANT)</b>				
<small>DRAWN</small> KPL	<small>DATE</small> 01/19/2012	<small>APPROVED</small> DCAM	<small>DATE</small> 01/20/12					<small>SHT</small> 1	<small>OF</small> 1	<small>REV</small> A
<small>APPROVED</small> JB	<small>DATE</small> 02/20/12	<small>APPROVED</small> XXX	<small>DATE</small> XX/XX/XX					<b>A SD0122-E24-C1601N</b>		