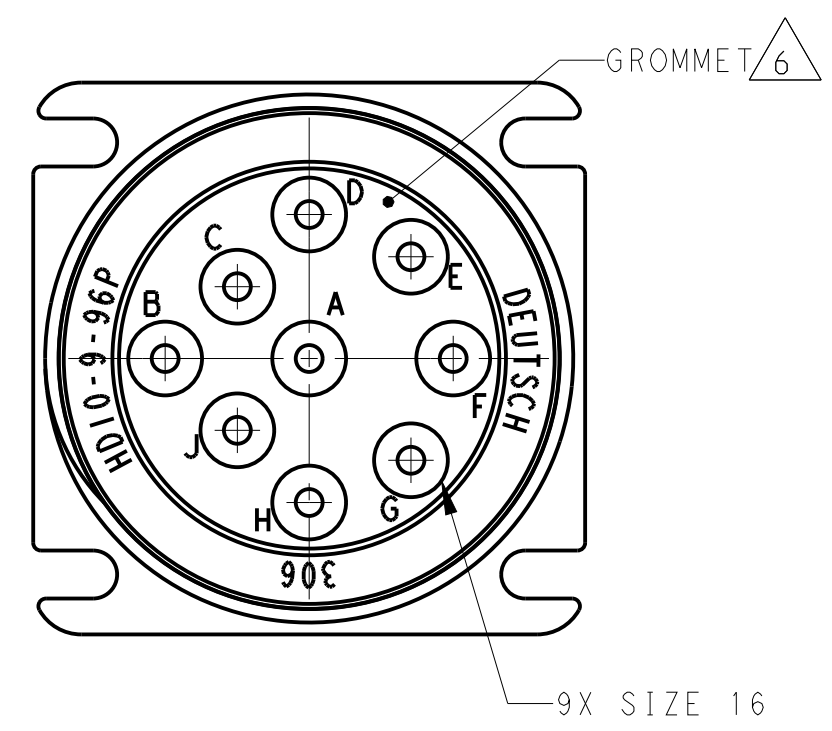
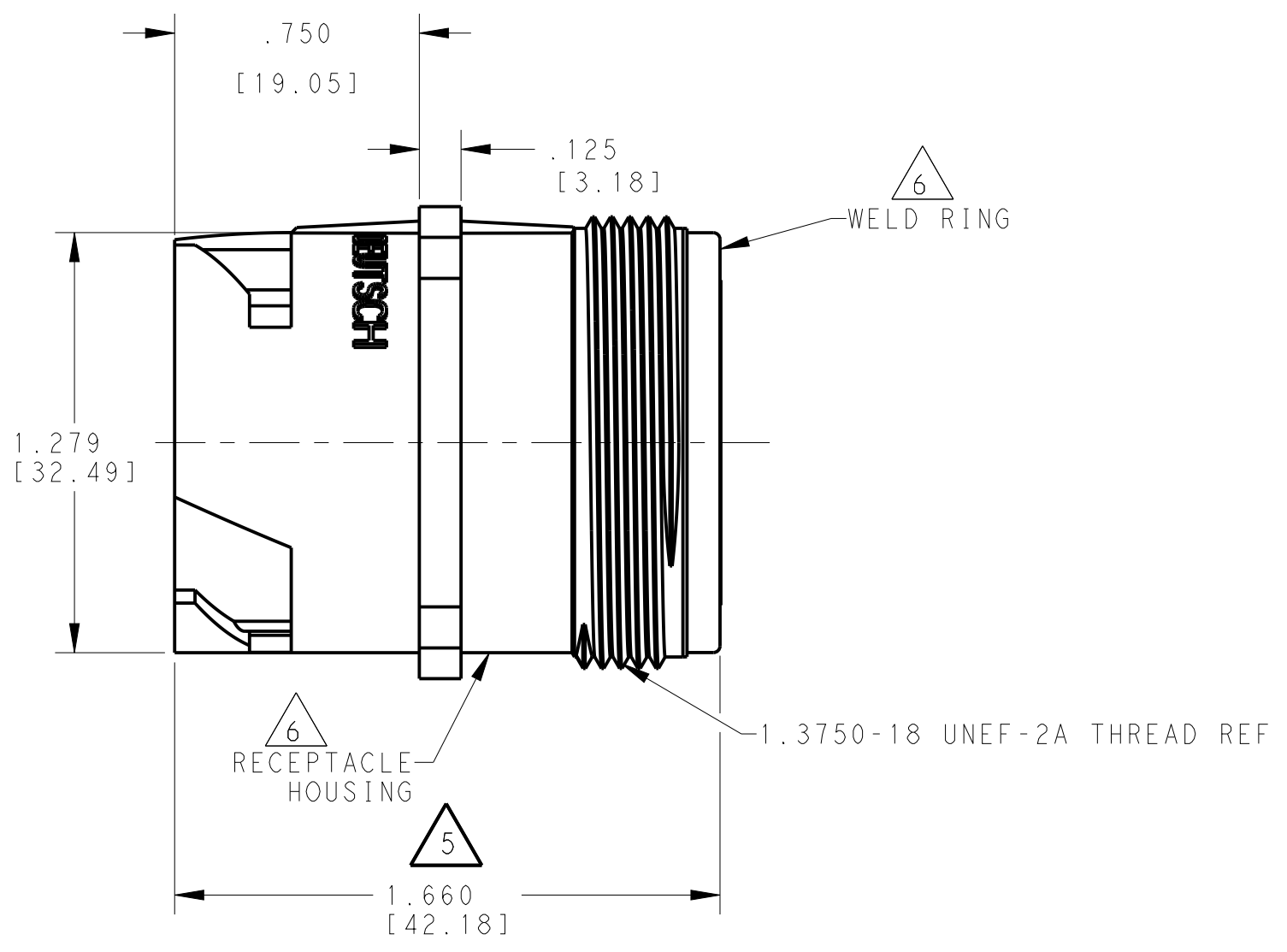
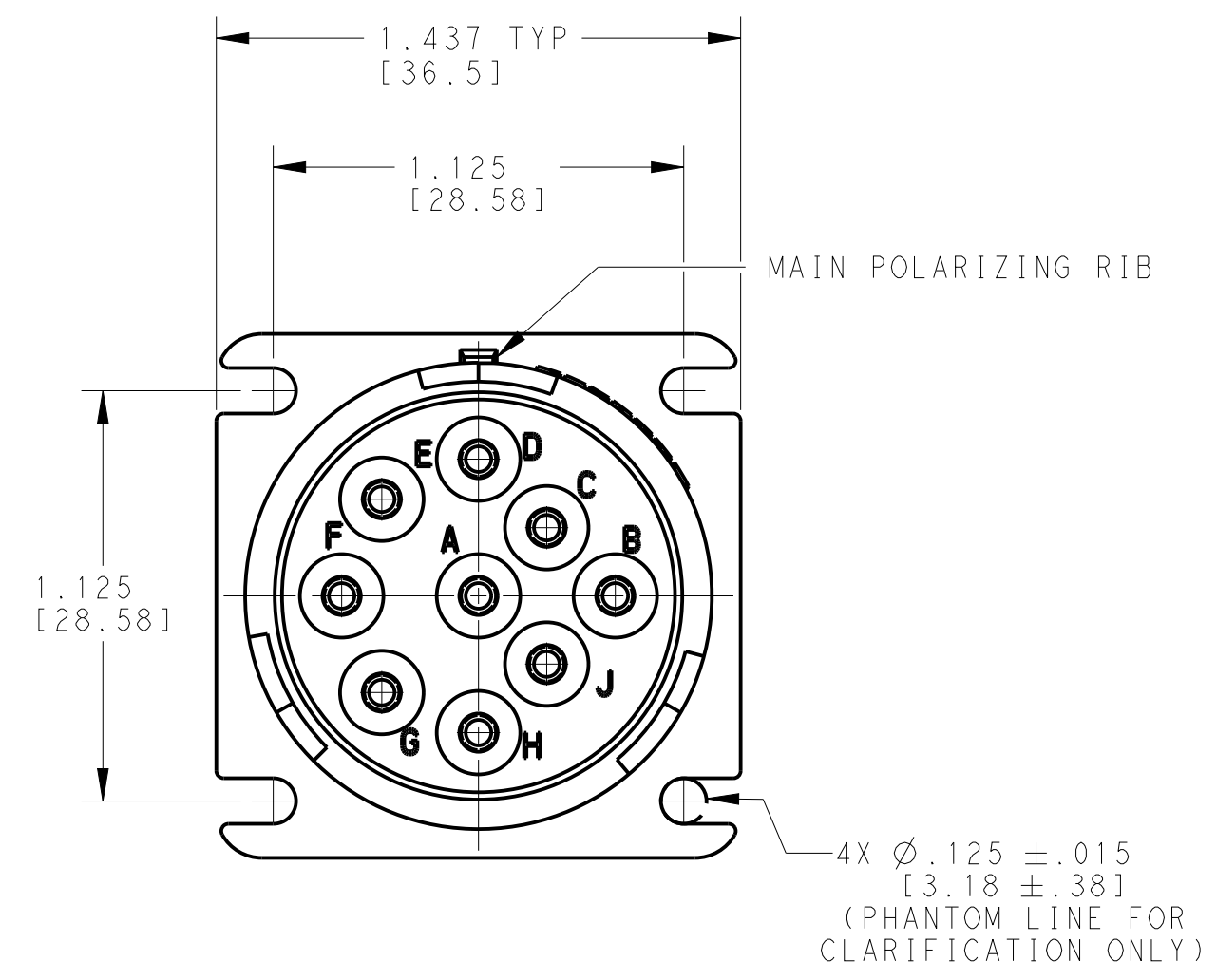


THIS DRAWING IS UNPUBLISHED
 RELEASED FOR PUBLICATION 2013
 © COPYRIGHT 2013 BY TE CONNECTIVITY. ALL RIGHTS RESERVED.

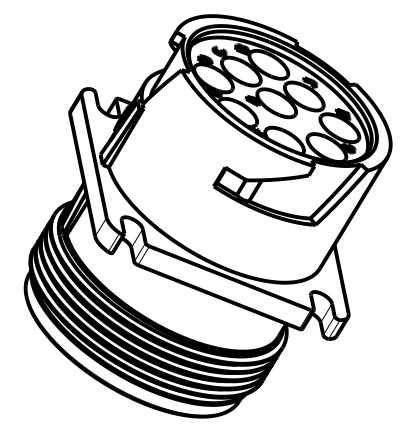
| REVISIONS | | | | | | | |
|-----------|------|----|-----|---------------------------|-----------|-----|------|
| LOC | DIST | P | LTR | DESCRIPTION | DATE | DWN | APVD |
| - | - | F | | REVISED PER E.O.P17743 | 27DEC2002 | - | RDR |
| | | G | | REVISED PER E.O.P19306 | 18JUL2006 | - | RDR |
| | | H | | REVISED PER E.O.P21366 | 4JUN2012 | - | RDR |
| | | H1 | | REVISED PER ECO-14-002953 | 29JAN2014 | PV | DM |



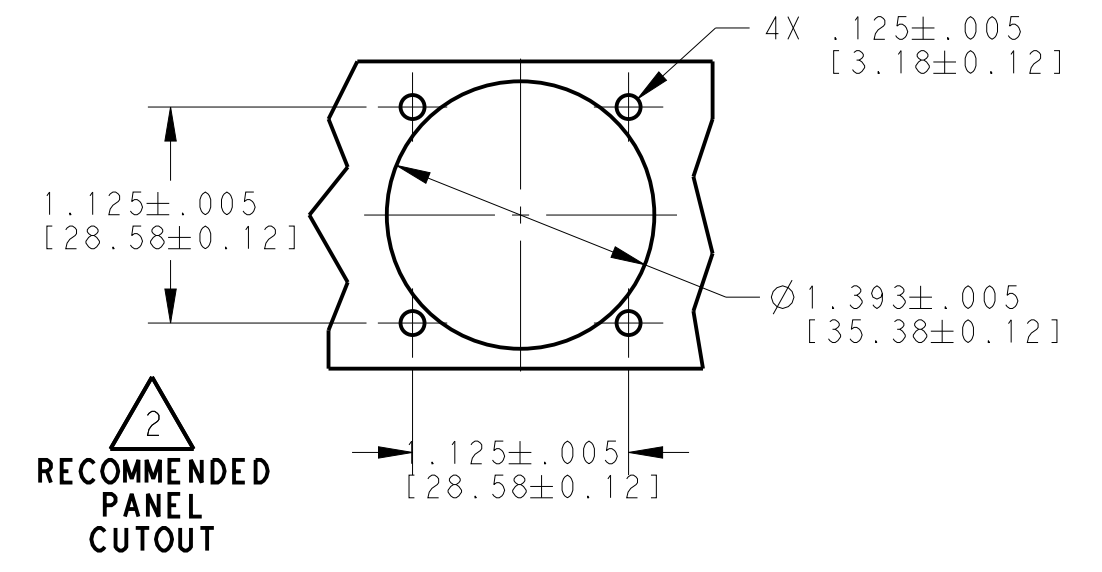
- 6 MATERIAL: RECEPTACLE HOUSING AND WELD RING: PA 15%GF (GREY)
GROMMET: SILICONE (RED)
- 5 OVERALL DIMENSION DOES NOT INCLUDE RUBBER GROMMET.
- 4 THIS RECEPTACLE MATES WITH FOLLOWING PLUG (X= SEAL TYPE, XXXX= ALL MODIFICATIONS).
HD16-9-96SX-XXXX
- 3 SEE DRAWING 0425-015-0000 FOR CONTACT AND WIRE PERFORMANCE AND APPLICATION CHARACTERISTICS.
- 2 MAXIMUM PANEL THICKNESS IS .250 [6.25].
- 1 SEE TABLE FOR USABLE WIRE RANGE AND INSULATION RANGE.

| CONTACT SIZE | MINIMUM O.D. | MAXIMUM O.D. | WIRE RANGE [mm ²] |
|--------------|--------------|--------------|-------------------------------|
| 16 | .100 [2.54] | .150 [3.81] | 14-20 AWG [2.0-.50] |

NOTES:



3-D VIEW



2 RECOMMENDED PANEL CUTOUT

| | | | | |
|---|--|-------------------------------------|--|-------------------------------|
| THIS DRAWING IS A CONTROLLED DOCUMENT. | | DWN R. OCHOA 11AUG1998 | TE Connectivity | |
| DIMENSIONS: [INCHES [mm]] | | CHK I. GRANTCHAROVA 17SEP2013 | | |
| TOLERANCES UNLESS OTHERWISE SPECIFIED: | | APVD D. MEYER 19SEP2013 | NAME RECEPTACLE SQUARE FLANGE HD10 SERIES ARR. 9-96 COLOR: GREY | |
| 0 PLC ±- 1 PLC ± 2 PLC ± 3 PLC ±.025 4 PLC ± ANGLES ±0° 30' 0" FINISH | | PRODUCT SPEC - | SIZE A200779 | |
| MATERIAL 6 | | APPLICATION SPEC - | DRAWING NO HD10-9-96P | |
| | | WEIGHT 35.91 (g) | RESTRICTED TO - | |
| | | Customer Drawing | | SCALE 2:1 SHEET 1 OF 1 REV H1 |