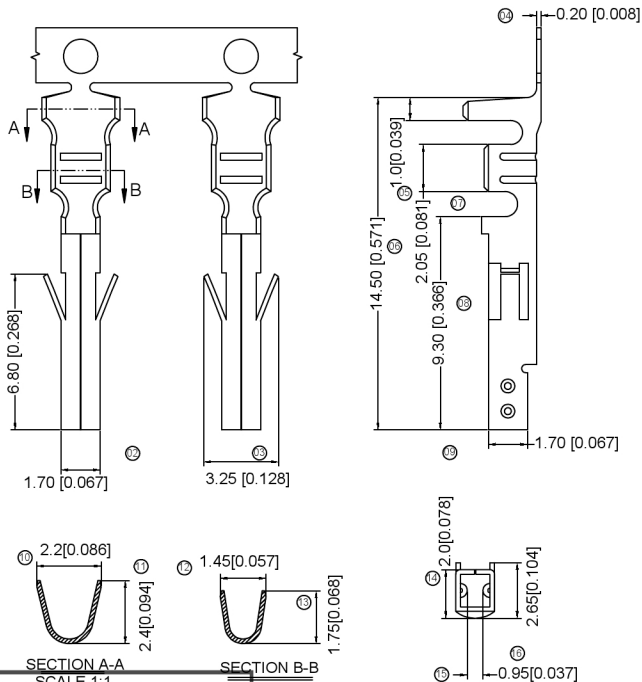


XKB



Specifications:

规格: XKB
Voltage rating: 600V AC/DC
 额定电压: 600V AC/DC
Current rating: 9A AC/DC
 额定电流: 9A AC/DC
Withstanding voltage: 1500V AC/minute
 耐受电压: 1500V AC/分钟
Temperature range: -25°C +85°C
 温度范围: -25°C +85°C
Insulation resistance: ≥1000MΩ
 绝缘电阻: ≥1000MΩ
Contact resistance: ≤10mΩ
 接触电阻: ≤10mΩ
After environmental testing: ≤20兆欧
 环境测试后: ≤20兆欧

X9357 T F X-SN X-M

① ② ③ ④ ⑤ ⑥ ⑦ ⑧ ⑨ ⑩

- 1 Series Number
- 2 Category: T-terminal
- 3 Shape: F-Female
- 4 Material: B-Brass; P-Phosphor Bronze
- 5 Plating style: SN-Bright tin plating
- 6 Plating method:
Blank-Stamping before plating;
- 7 Special No: M-Low Leads

SECTION A-A
SCALE 1:1SECTION B-B
SCALE 1:1

广东星坤科技股份有限公司

X9357TF-PSN-M	Phosphor Br002a	AWG#24-28	1.90mm(Max)	Stamping Before Plating 30u" MIN. N:70u"Sn MIN	X9357HM
X9357TF-BSN-M	Brass			Finish	Suitable XKB
PART NO	Material	Wire Range	Insulation O.D	Finish	Suitable XKB

生	日期
發	

MADE IN CHINA	DESCRIPTION	DATE	REVISED	APPROVED	UNSPECIFIED TOLERANCES
文件工程章					

REVISIONS
www.hkxkb.com

XKB	DSND	DATE	SCALE: N/A	MODEL TYPE: X9357TF-XSN-M
ANGLR ±5°	DWNN	DATE	VIEW:	PART NO.: 2.40mm Crimp Style Connectors
L ≤ 4 ±0.2	CHKD	DATE	UNIT: mm/in	DWG NO.:
4 < L ≤ 16 ±0.3	APPD	DATE	SIZE: A4	
16 < L ≤ 63 ±0.4				WEIGHT SHEET REVISION 1.0g 1/1 A0
L > 63 ±0.5				

XKB INDUSTRIAL PRECISION CO., LIMITED