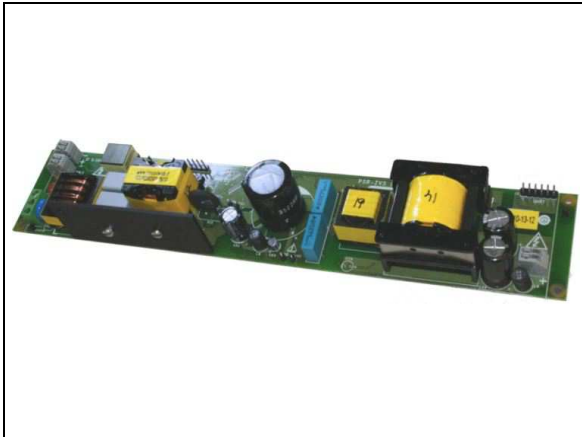


100 W LED street lighting evaluation board using STLUX385A

Data brief

**Features**

- STLUX385A based
- High efficiency (92%)
- Primary side controlled
- Up to 100 W (100 V at 1 A or 200 V at 0.5 A)
- Single isolated output suitable for LED connection.
- Wide input voltage range: 90 V to 265 V AC
- Adjustable LED current and dimming
- Output resolution: 11-bit equivalent.
- IDLE mode power consumption: < 200 mW
- Real-time fault detection and protection (e. g.: short- or open circuit)
- Remote control via DALI, 0 - 10 V, UART
- RoHS compliant

Description

The STEVAL-ILL066V1 evaluation board is a complete and configurable solution that efficiently controls a single dimmable high brightness LED string using the STLUX385A digital controller.

The LED efficiency is high during all stages of dimming and the STEVAL-ILL066V1 can achieve a 92% efficiency during full load while maintaining a low < 200 mW power consumption during idle periods.

The STLUX385A device handles a primary side regulated power conversion stage as well as all the supported communication links.

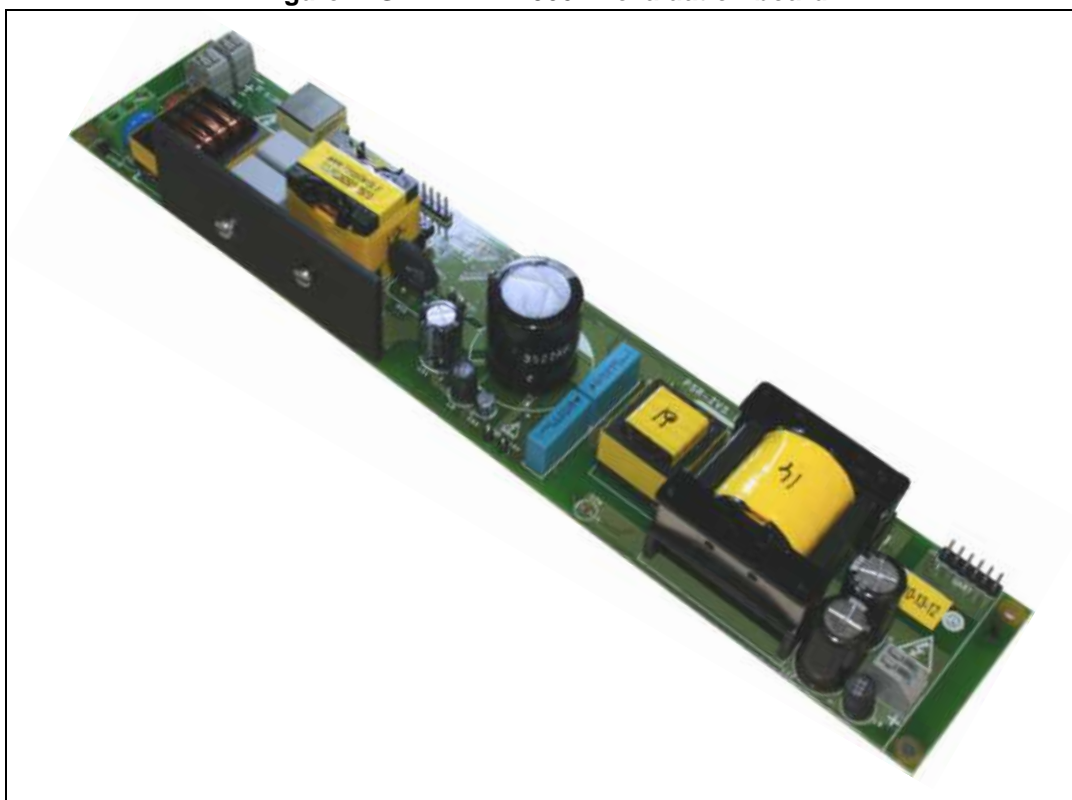
The power conversion stage consists of a PFC regulator followed by a “Zero Voltage Switching” (ZVS) LC resonant stage. The high precision dimming is adjusted using a primary side regulation (PSR) control technique.

The LED brightness can be dimmed by controlling the LED current down to a very low level.

The STEVAL-ILL066V1 evaluation board provides all the physical communication interfaces such as a DALI, insulated 0-10 and UART. All the communication is managed by the STLUX385A device. The UART interface and STLUX385A flexibility allow to quickly connect the STEVAL-ILL066V1 to alternative interfaces such as Wi-Fi, power line modems, Bluetooth® and Zigbee®. (Previous part number was STEVAL385LEDPSR).

1 Board description

Figure 1. STEVAL-ILL066V1 evaluation board



Board connector pinout

Table 1. Connector J8 pinout - AC-DC input

Name	Type	Function
ACIN	Power	Main AC/DC input
ACIN	Power	Main AC/DC input
EARTH	Power	Protective earth connection

Table 2. Connector J4 pinout - DC output

Name	Type	Function
"+"	Power	Positive load connection
"_"	Power	Negative load connection

Table 3. Connector J3 pinout - DALI interfaces

Name	Type	Function
DALI	DALI signal	DALI signal for isolated DALI interfaces - without polarization
DALI	DALI signal	DALI signal for isolated DALI interfaces - without polarization

Table 4. Connector J9 pinout - 0 - 10 V

Name	Type	Function
“+”	Positive reference	Positive reference for isolated 0 - 10 V interfaces
“-”	Negative reference	Negative reference for isolated 0 - 10 V interfaces

Table 5. Connector J2 pinout - serial interfaces

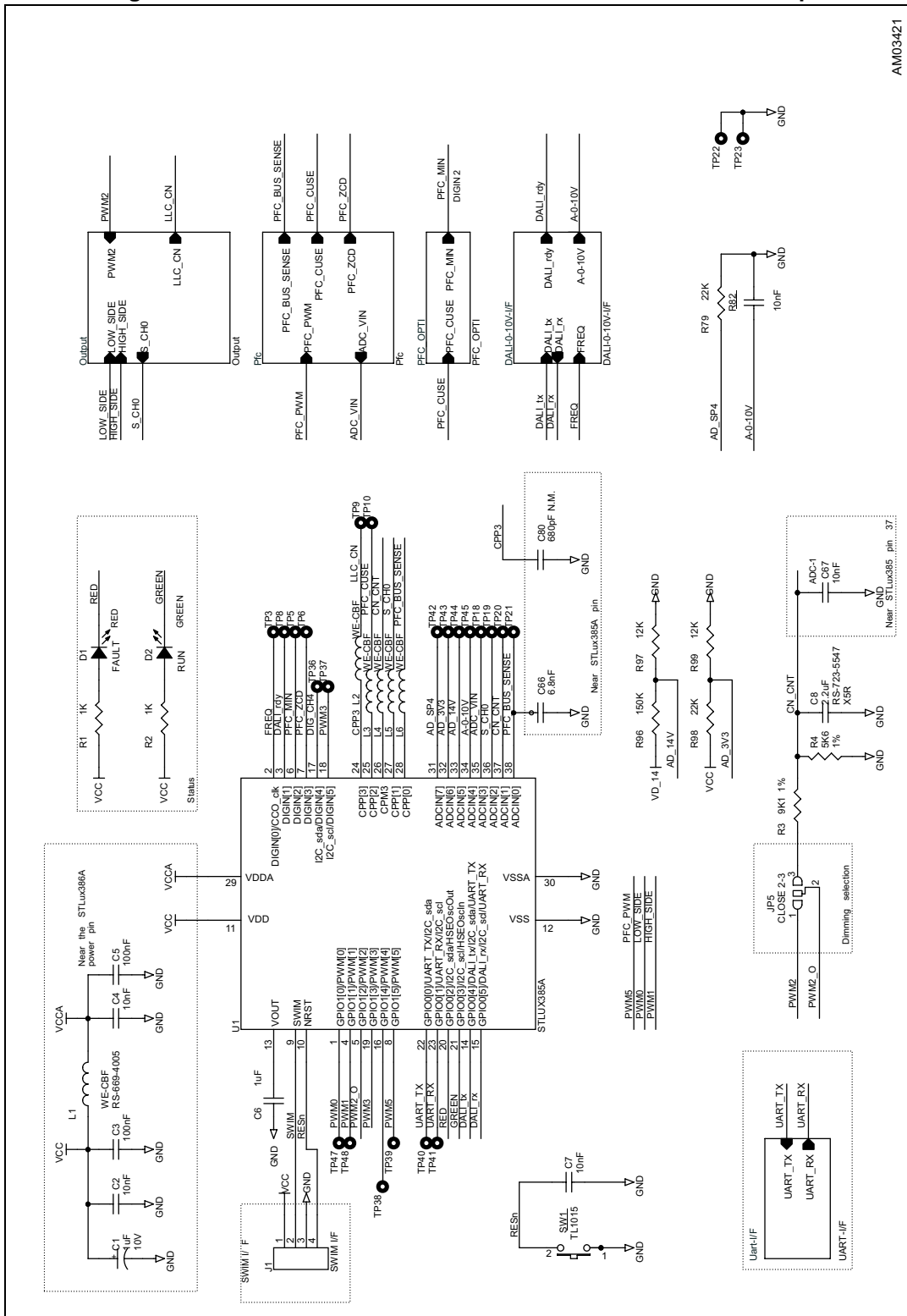
Name	Type	Function
1 (black)	Negative power	Directly connected to isolated Serial GND
2 (brown)	CTSn	Not used - pulled down
3 (red)	Fixed positive power	5.0 V power for the UART interfaces only
4 (orange)	TXD (input)	TXD signal - RXD on STLUX
5 (yellow)	RXD (output)	RXD signal - TXD from STLUX
6 (green)	RTSn	Not connected

Table 6. Connector J1 pinout - SWIM interfaces

Name	Type	Function
1	VCC_SWIM	power reference from board
2	SWIM	SWIM signal to/from STLUX
3	GND_SWIM	Directly connected to primary GND
4	RESn	Connected to STLUX NRST pin

2 Schematic diagrams

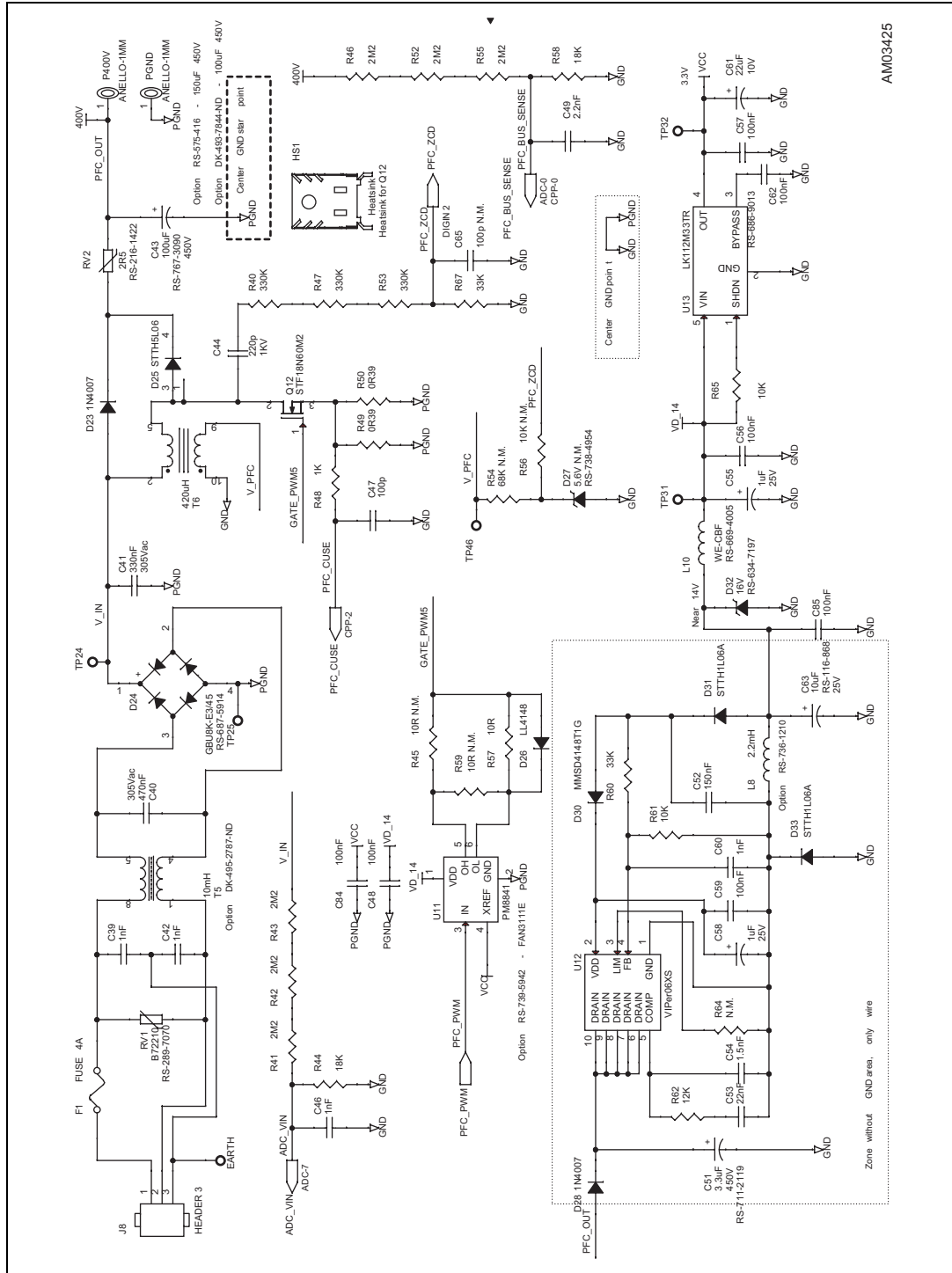
Figure 2. PSR-ZVS evaluation board schematic - STLUX385A - top



AM03421

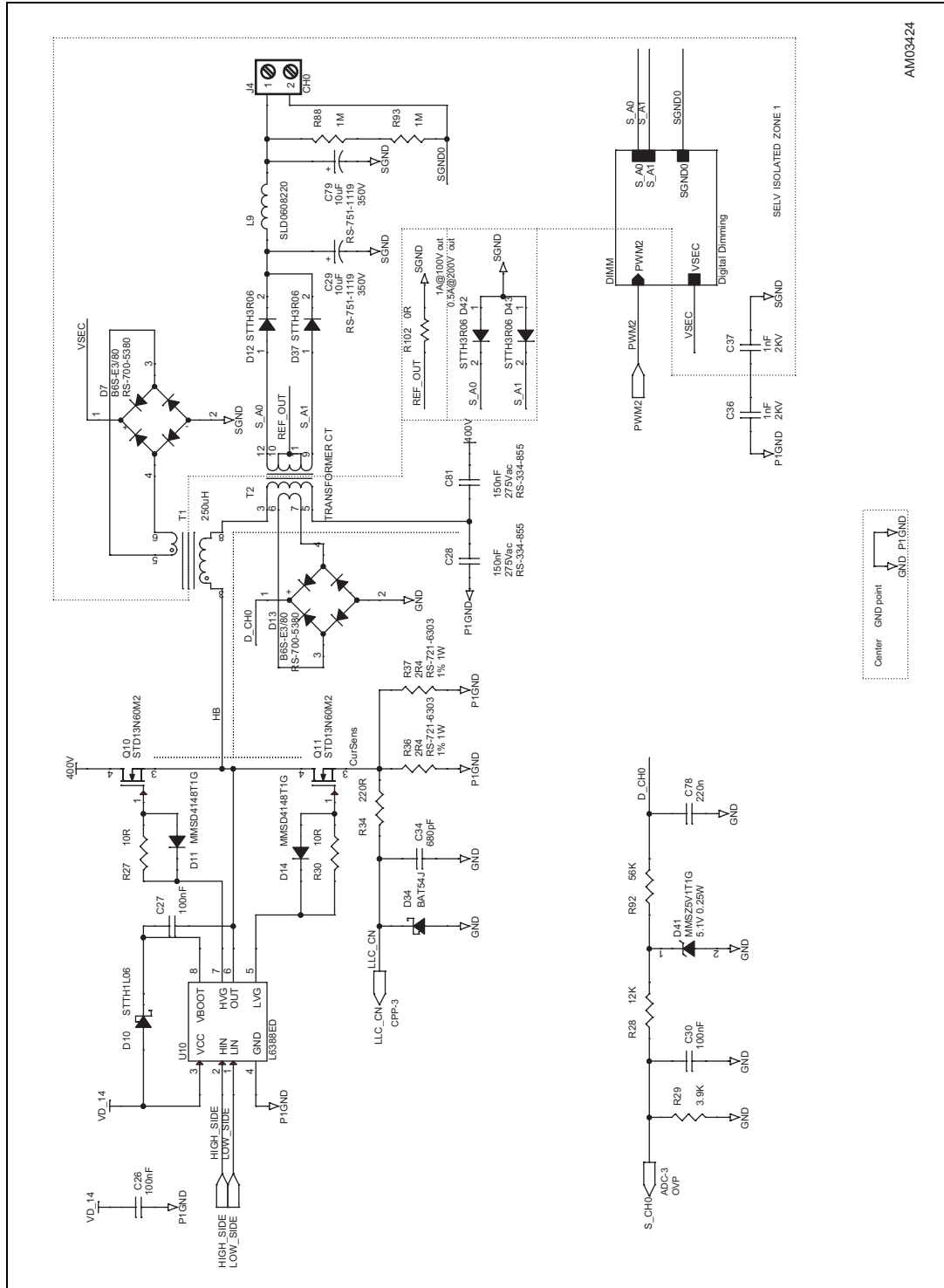


Figure 3. PSR-ZVS evaluation board schematic - PFC and DC/DC zone



AM03425

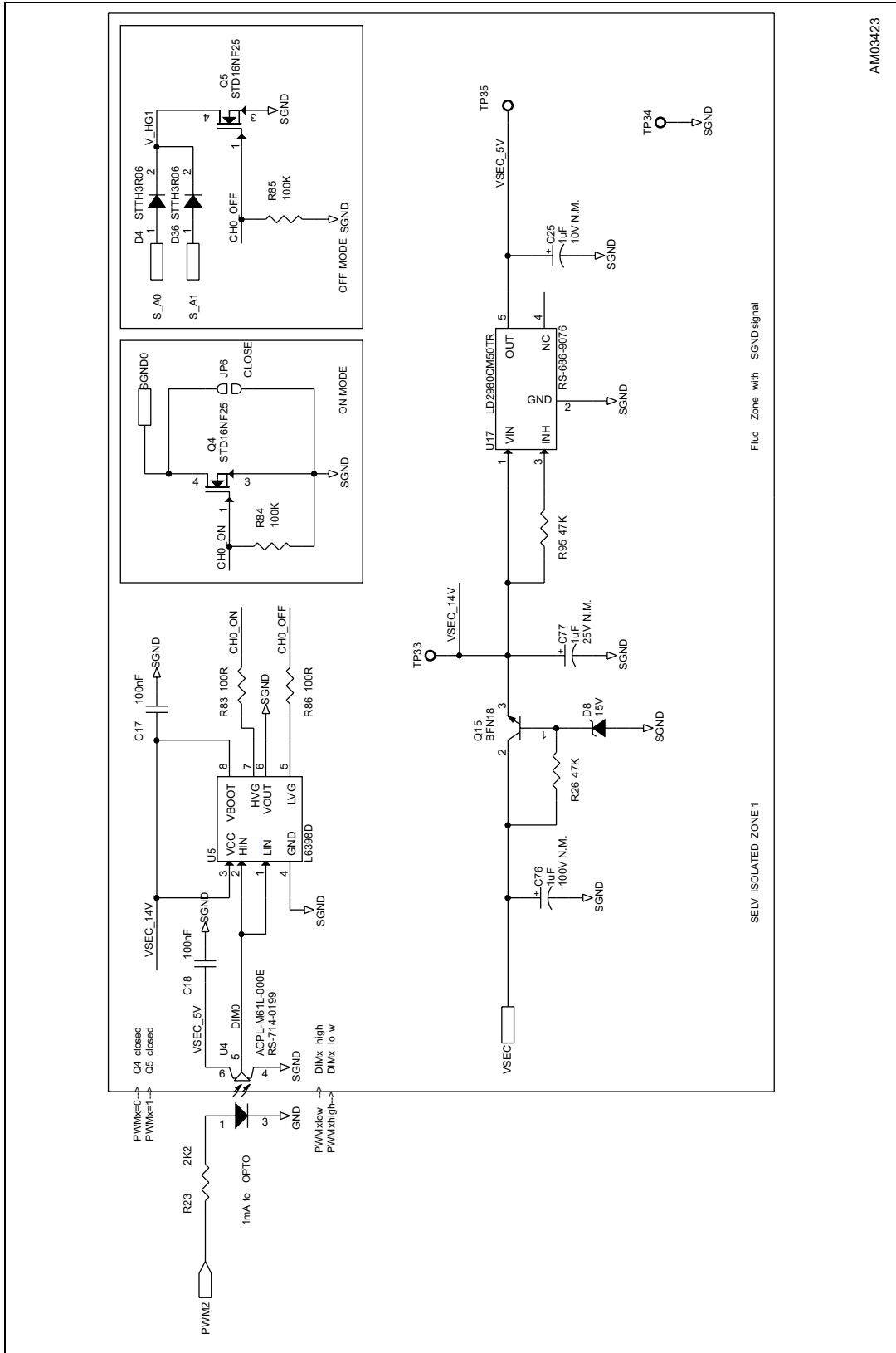
Figure 4. PSR-ZVS evaluation board schematic - PSR-ZVS stage



AM03424

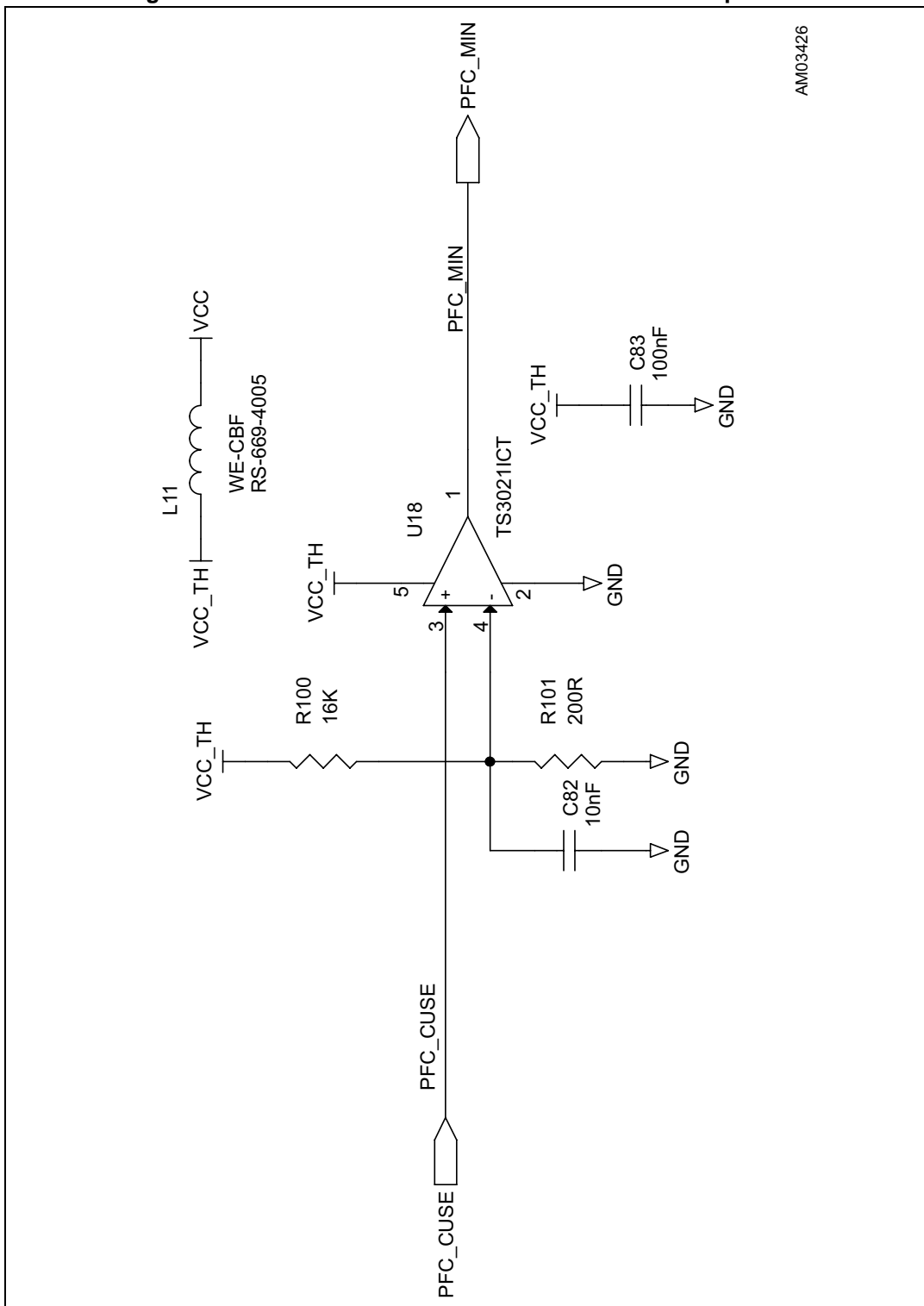


Figure 5. PSR-ZVS evaluation board schematic - digital dimming stage



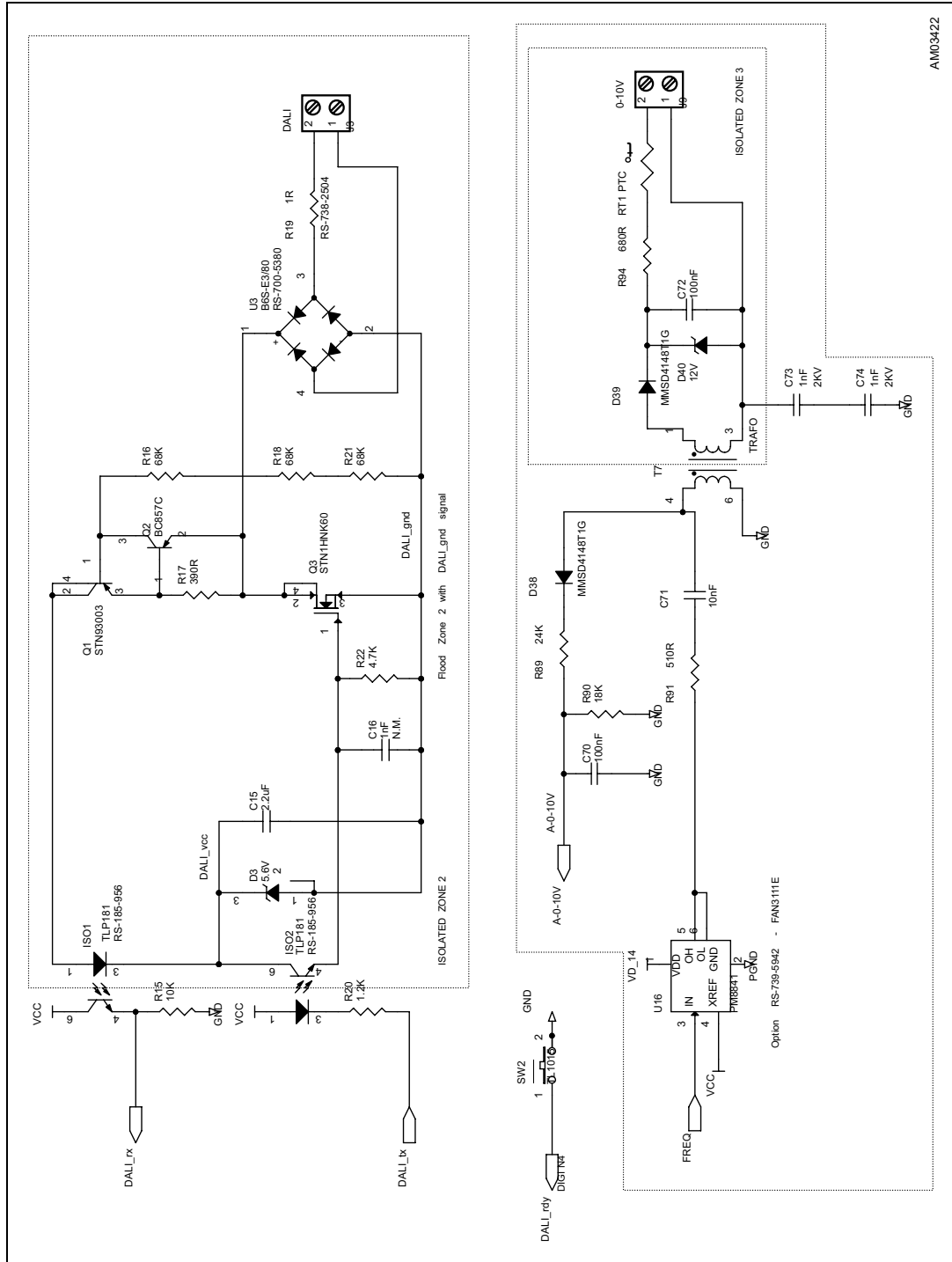
AM03423

Figure 6. PSR-ZVS evaluation board schematic - THD optimizer



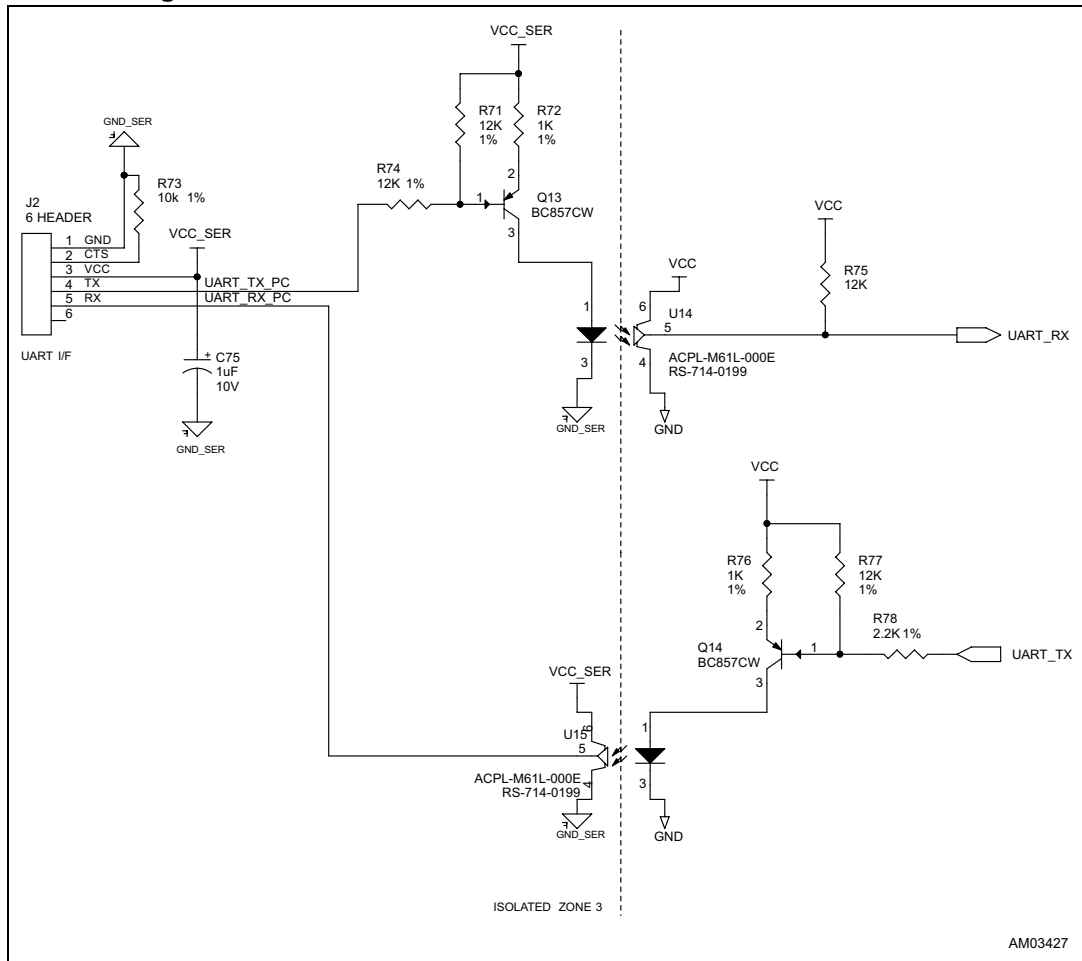
AM03426

Figure 7. PSR-ZVS evaluation board schematic - DALI and 0 - 10 interfaces



AM03422

Figure 8. PSR-ZVS evaluation board schematic - serial interfaces



3 Revision history

Table 7. Document revision history

Date	Revision	Changes
06-May-2014	1	Initial release. This part number replaces the STEVAL385LEDPSR.
03-Dec-2014	2	Updated: - Figure 3 on page 5 and Figure 4 on page 6 .

IMPORTANT NOTICE – PLEASE READ CAREFULLY

STMicroelectronics NV and its subsidiaries ("ST") reserve the right to make changes, corrections, enhancements, modifications, and improvements to ST products and/or to this document at any time without notice. Purchasers should obtain the latest relevant information on ST products before placing orders. ST products are sold pursuant to ST's terms and conditions of sale in place at the time of order acknowledgement.

Purchasers are solely responsible for the choice, selection, and use of ST products and ST assumes no liability for application assistance or the design of Purchasers' products.

No license, express or implied, to any intellectual property right is granted by ST herein.

Resale of ST products with provisions different from the information set forth herein shall void any warranty granted by ST for such product.

ST and the ST logo are trademarks of ST. All other product or service names are the property of their respective owners.

Information in this document supersedes and replaces information previously supplied in any prior versions of this document.

© 2014 STMicroelectronics – All rights reserved