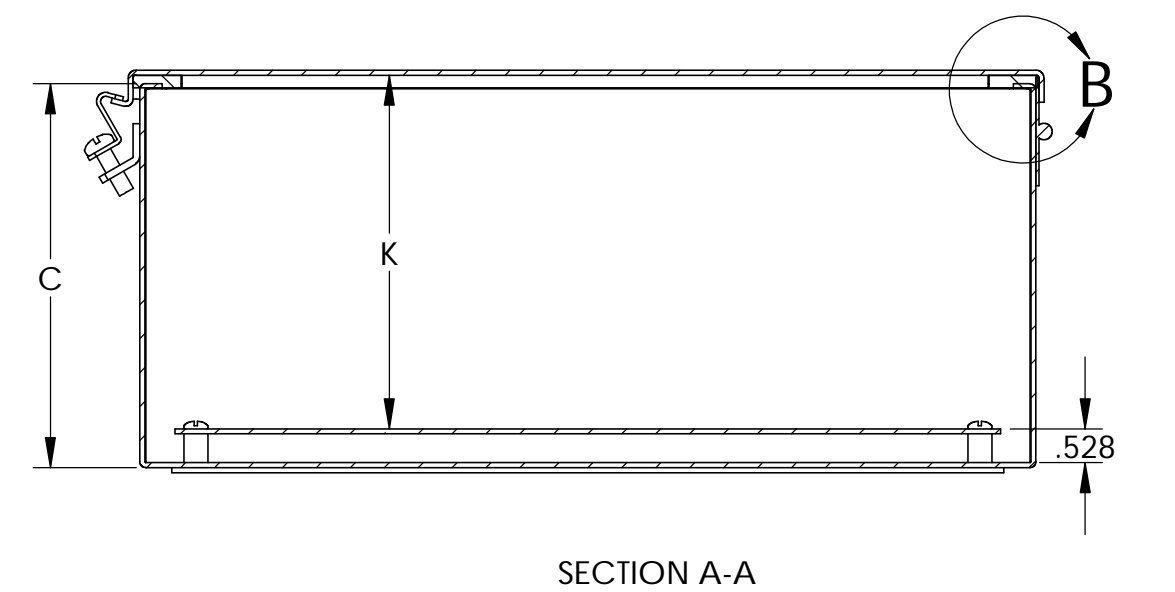
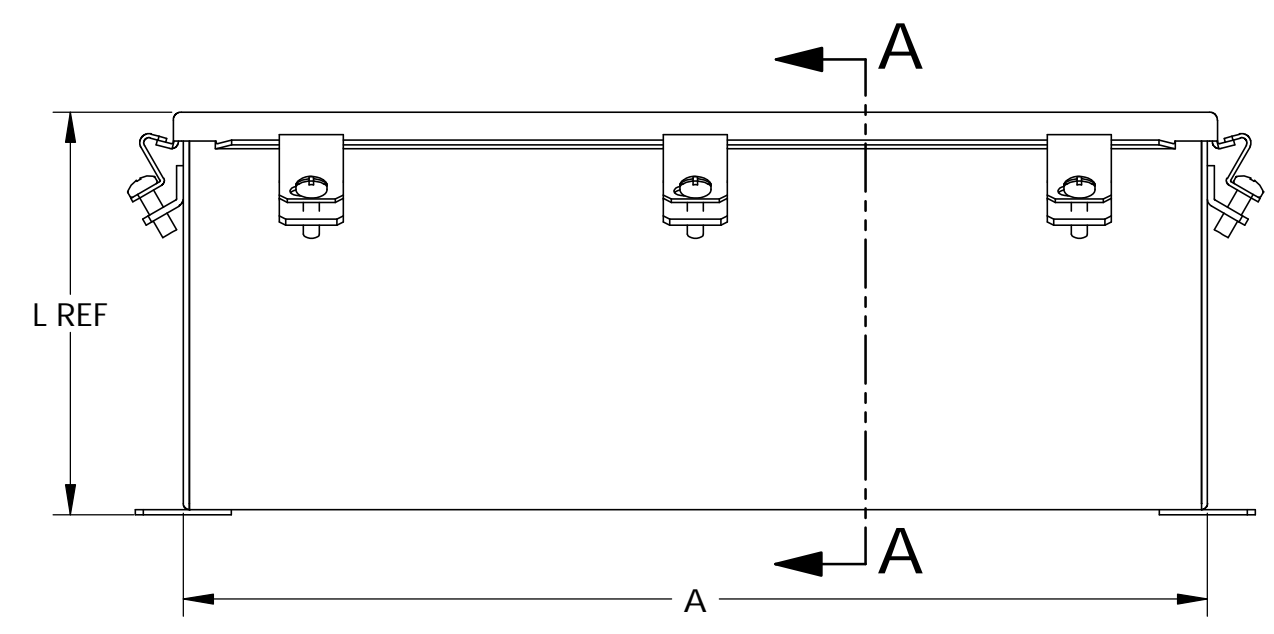
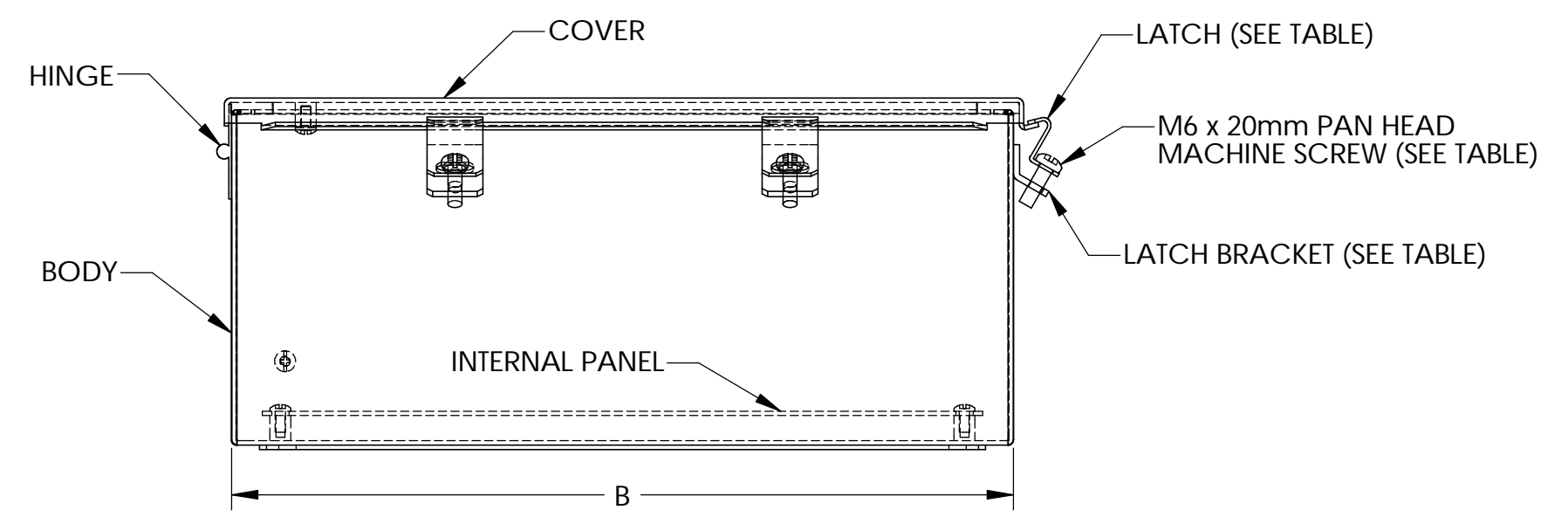
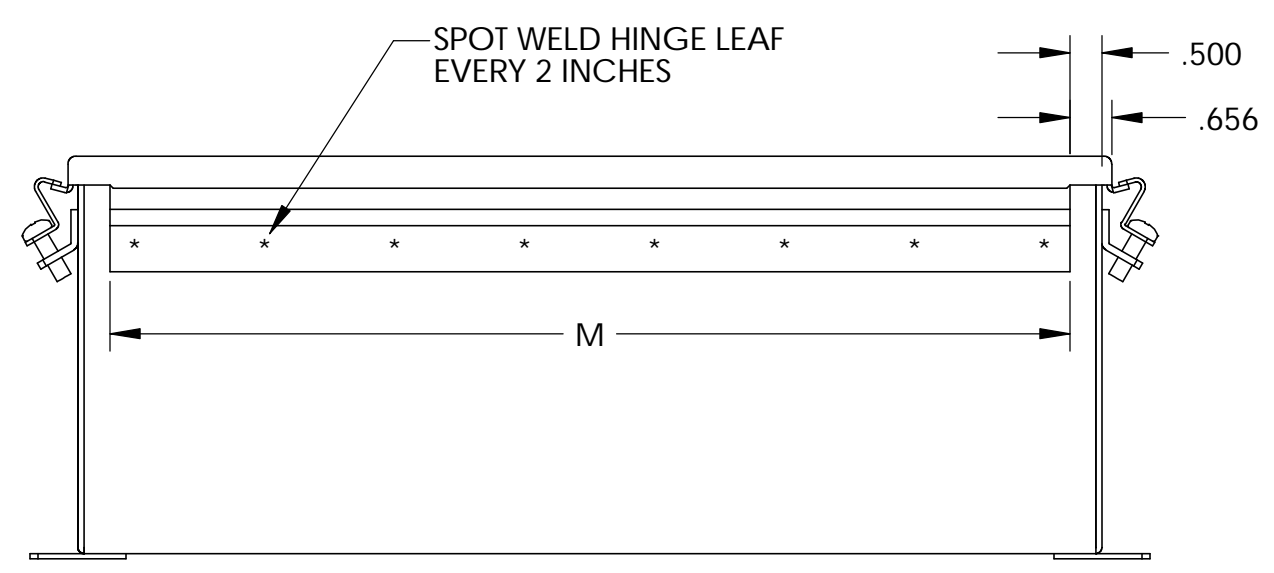
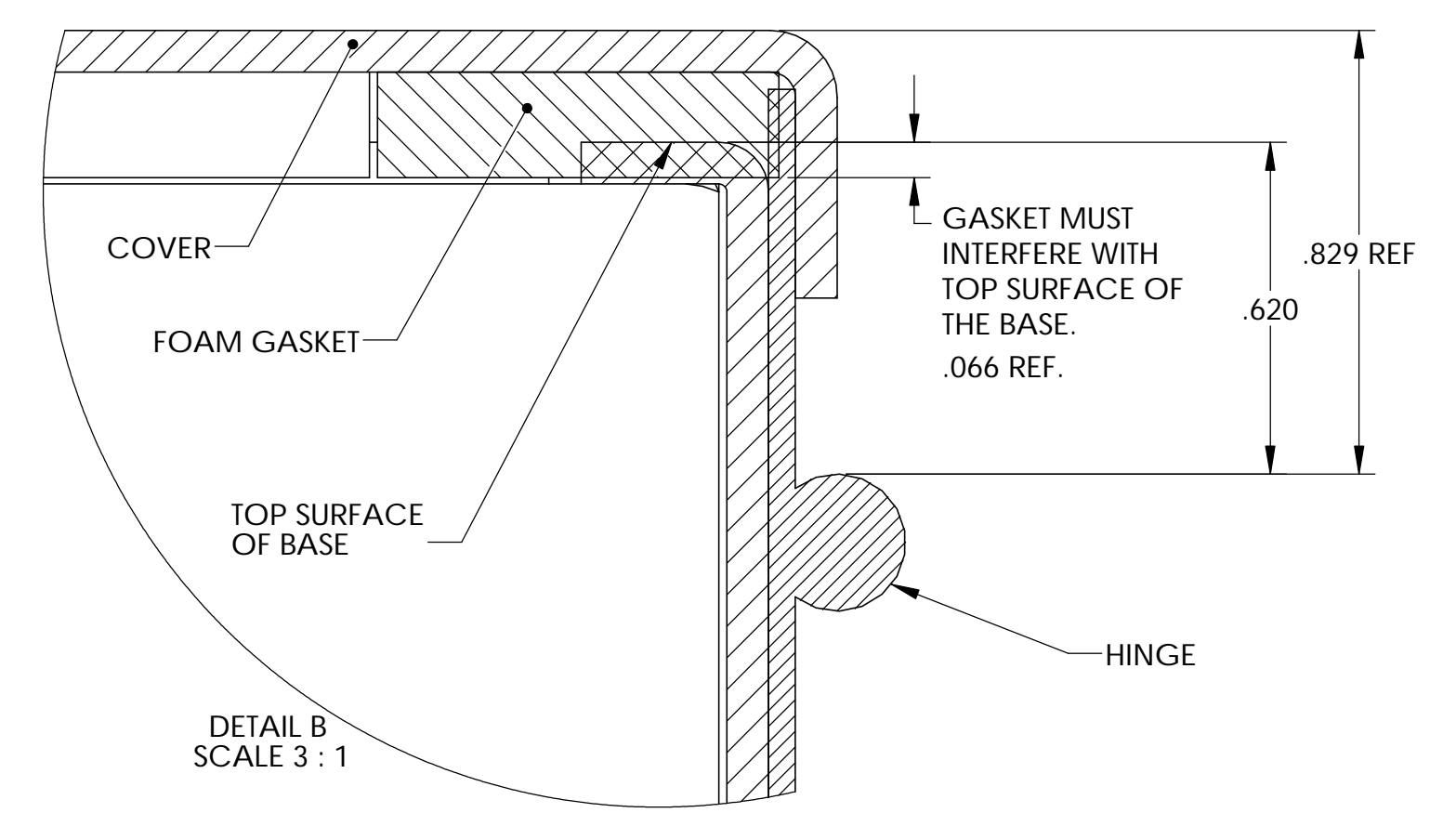
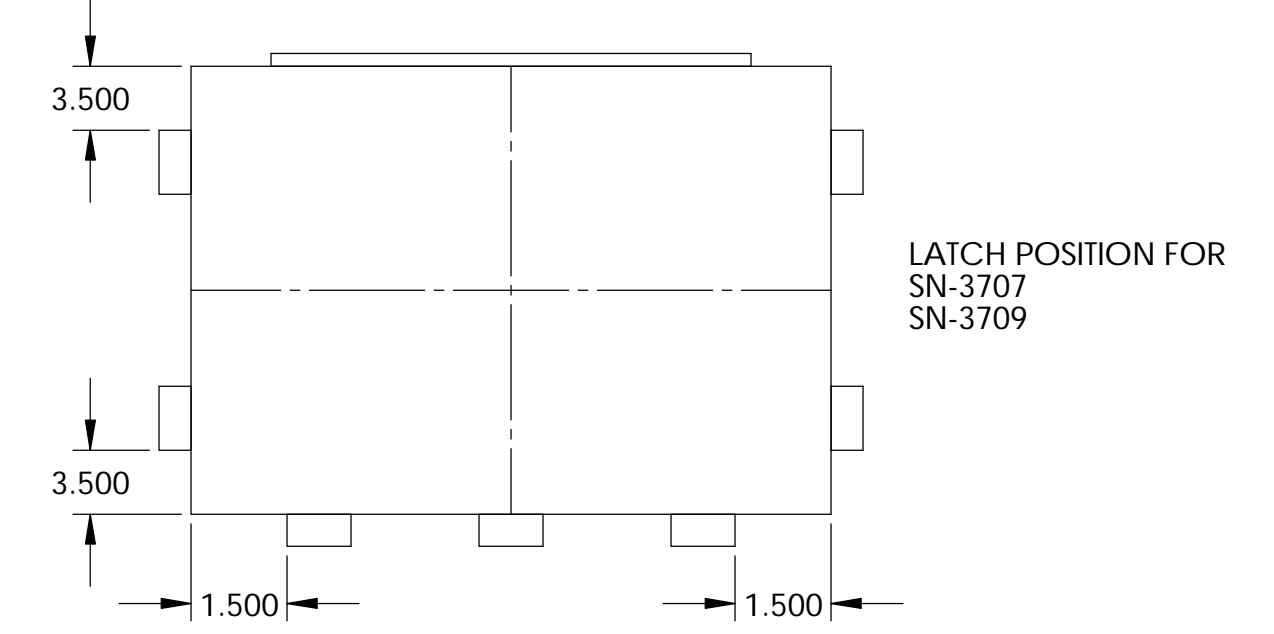
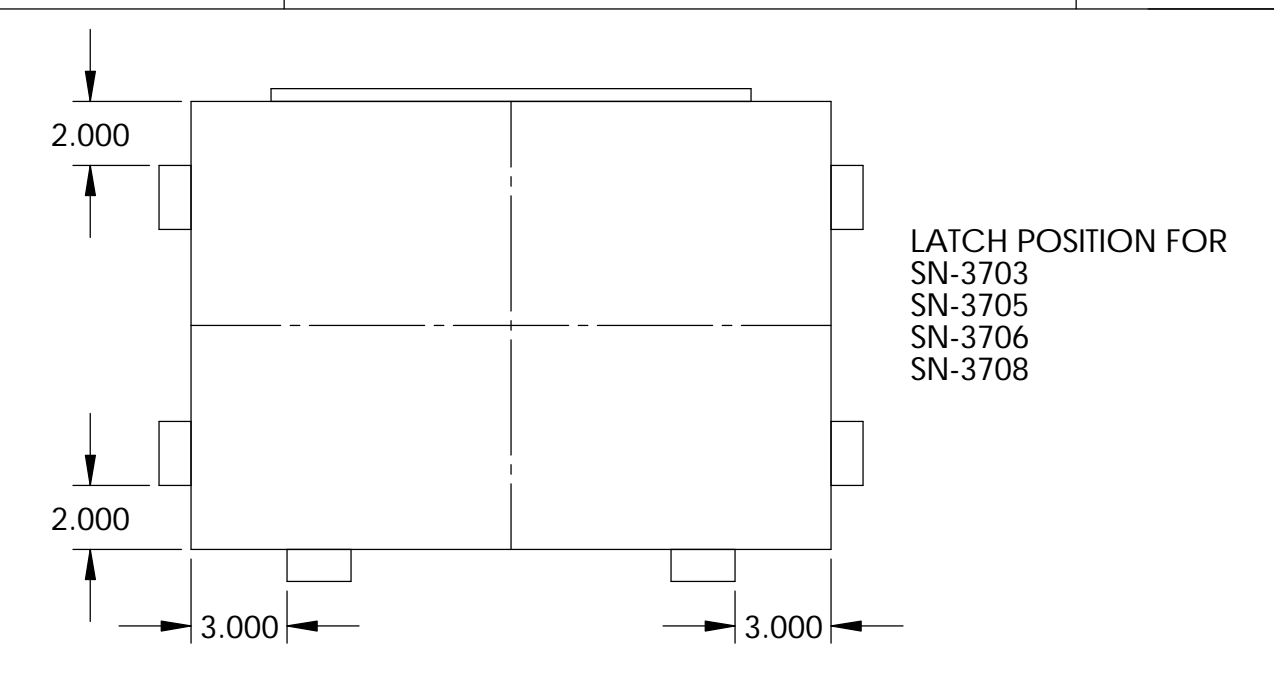
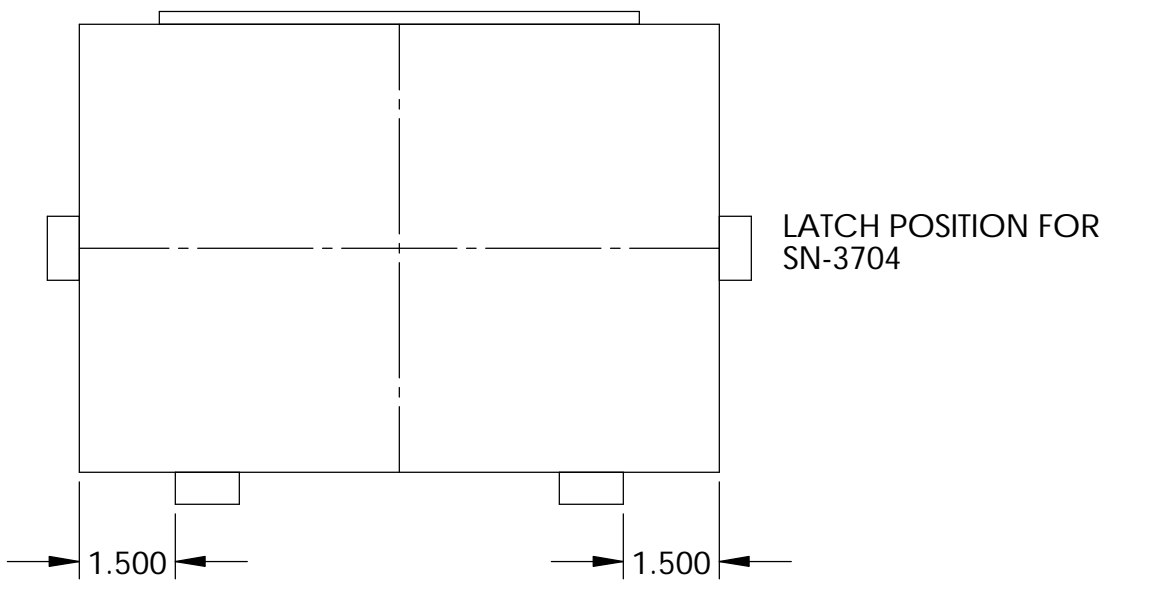
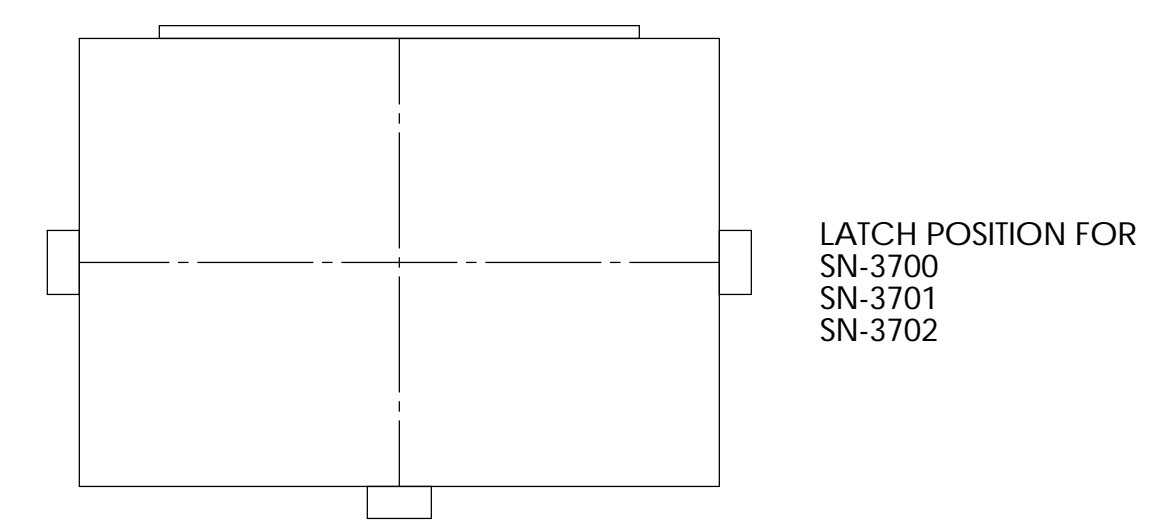
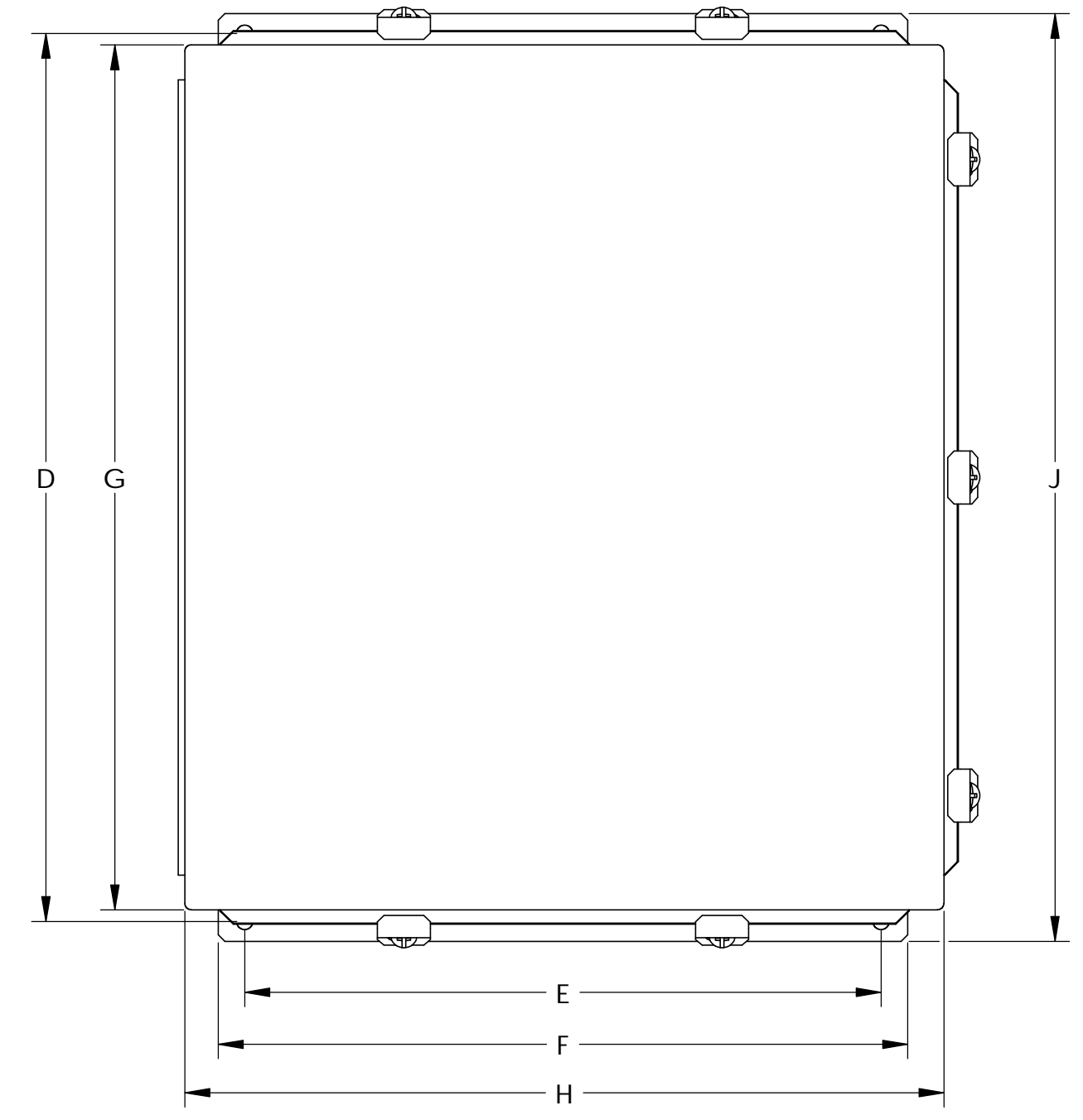
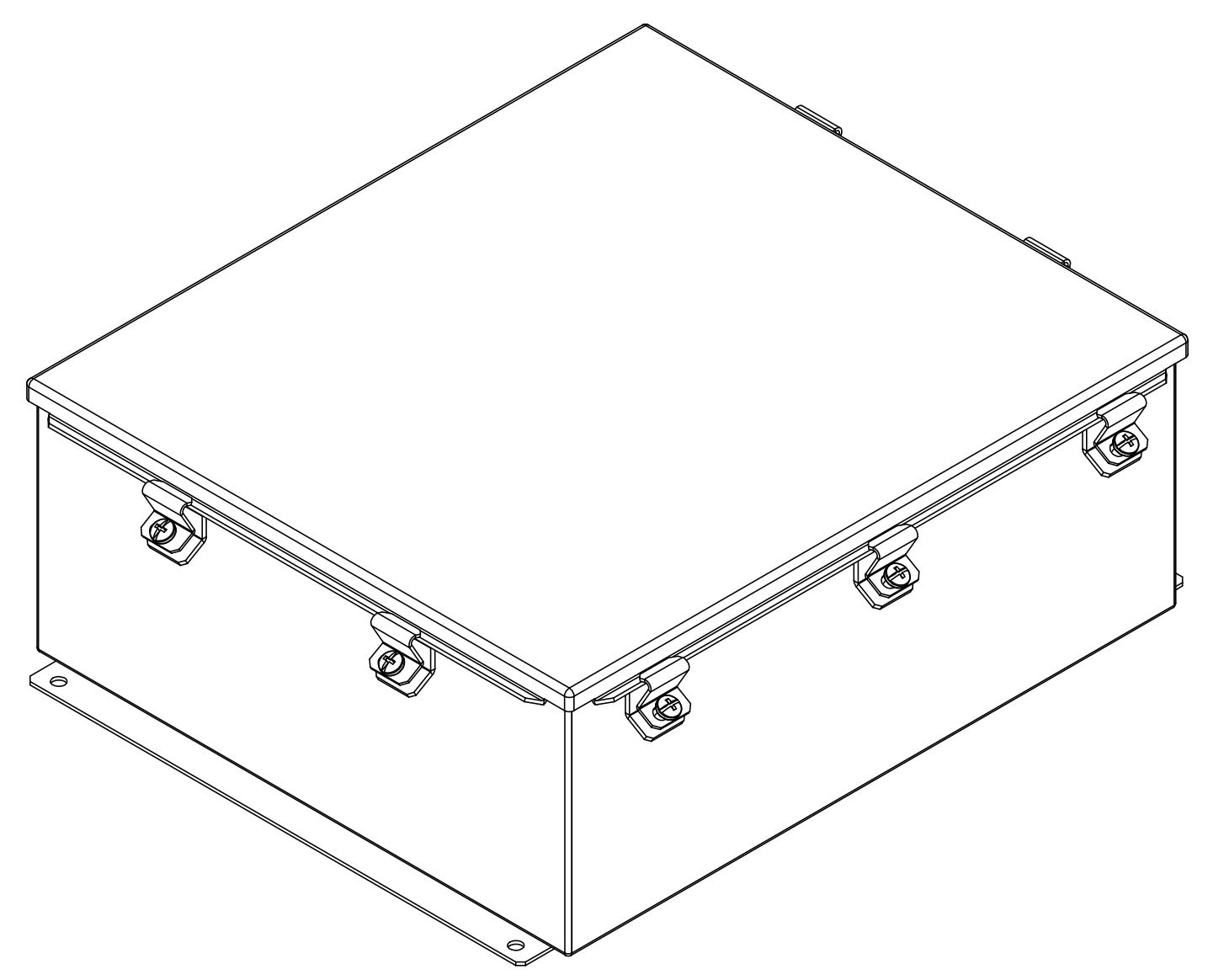


THE INFORMATION CONTAINED IN THIS DRAWING IS THE SOLE PROPERTY OF BUD INDUSTRIES INC. ANY REPRODUCTION IN PART OR WHOLE WITHOUT THE WRITTEN PERMISSION OF BUD INDUSTRIES INC. IS PROHIBITED.

SN-3700	
ISSUE	REVISIONS
(A)	ADDED LATCH DETAILS 3-1-06
(B)	UPDATED COVER ASSY., UPDATED COVER LOCATION 5-4-06 DP
(C)	UPDATED WELD INFO., HINGE AND LATCH LOCATION. ADDED DETAIL B. UPDATED PART NUMBERS 5-16-06 DP
(D)	UPDATED HARDWARE INFO. 6-28-06 DP
(E)	ADDED LABELS 8-3-06 DP



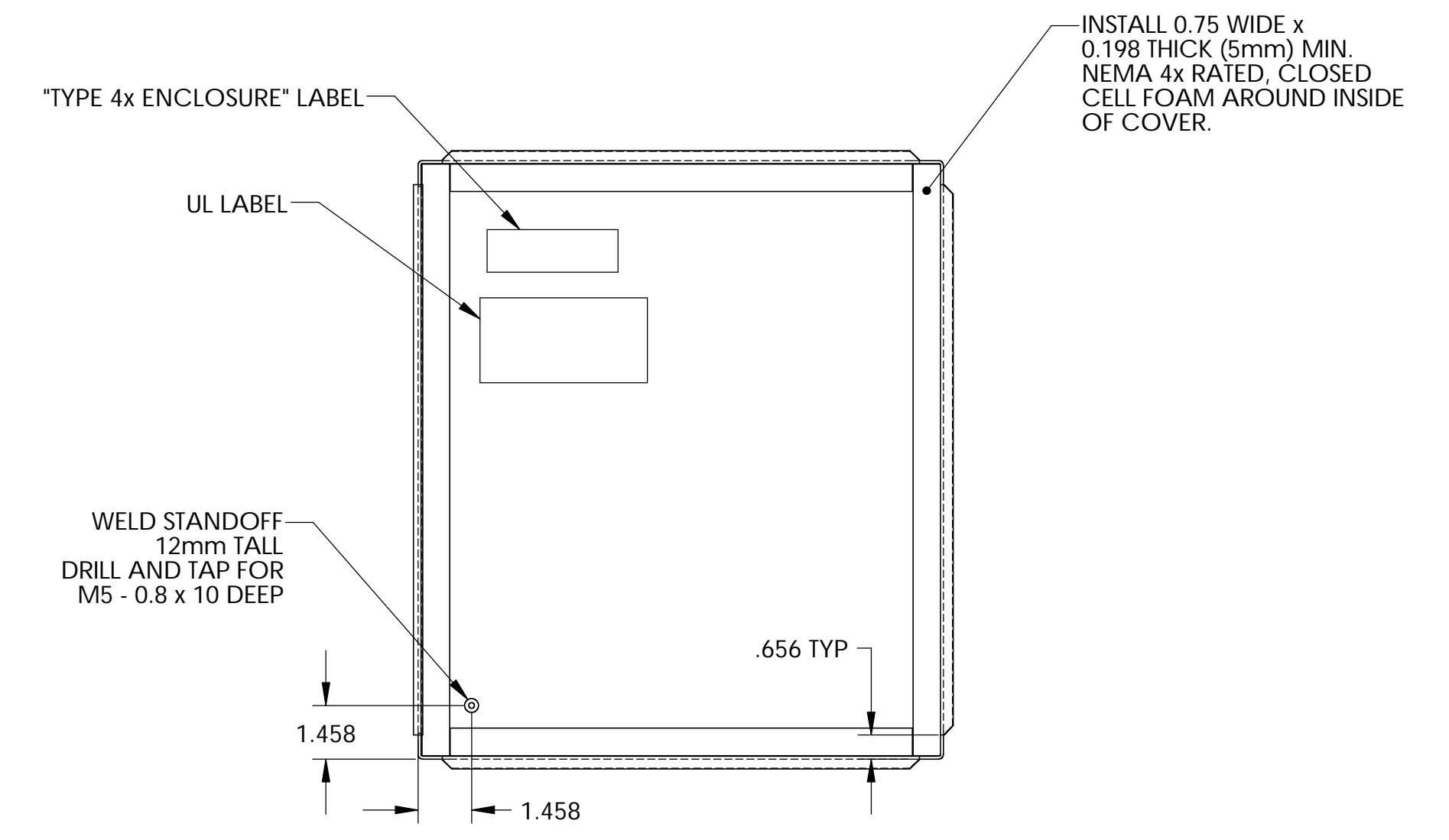
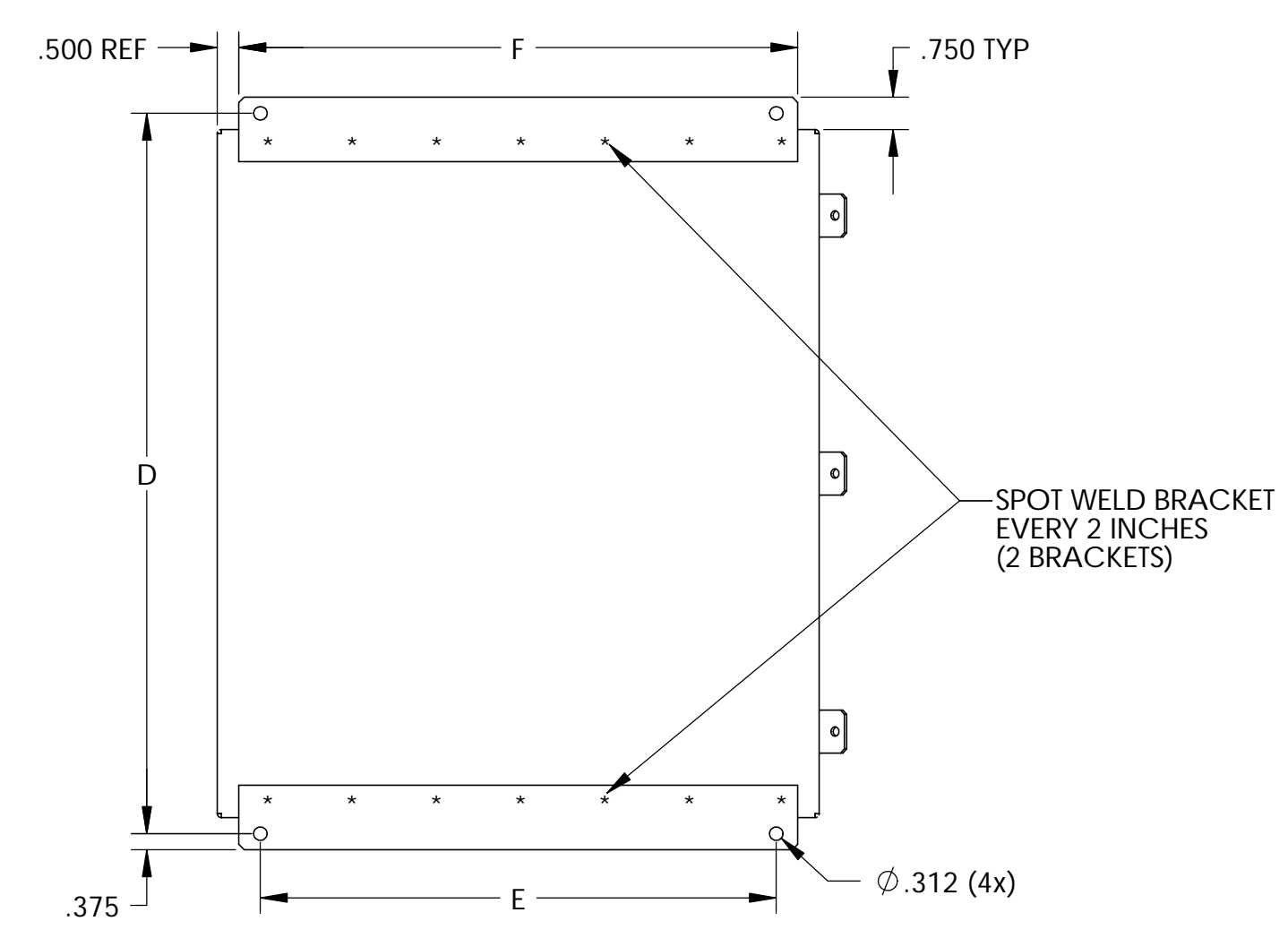
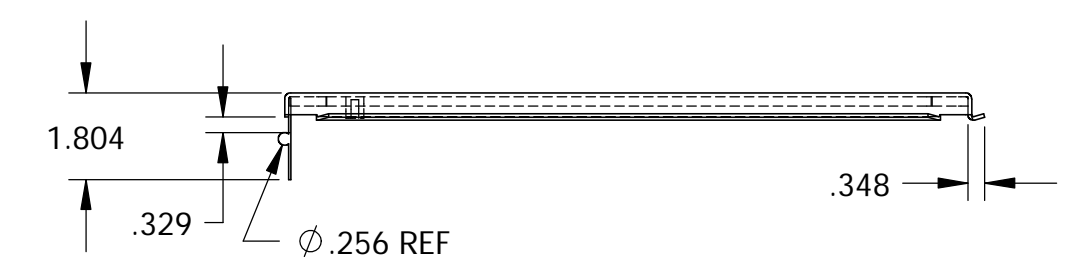
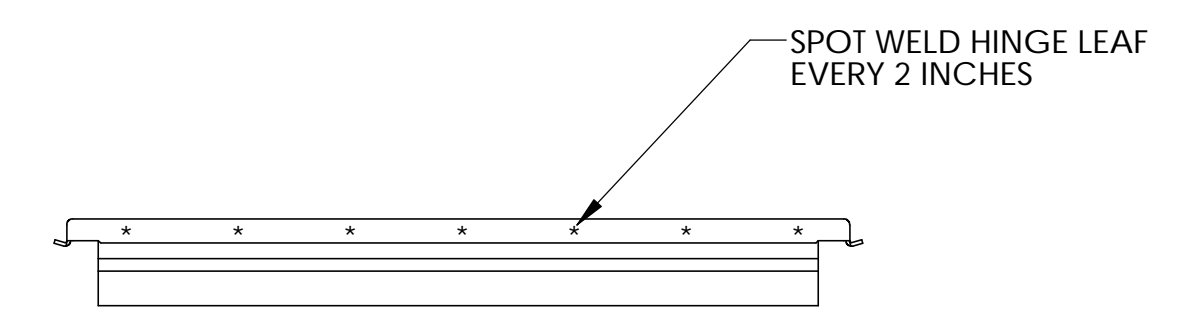
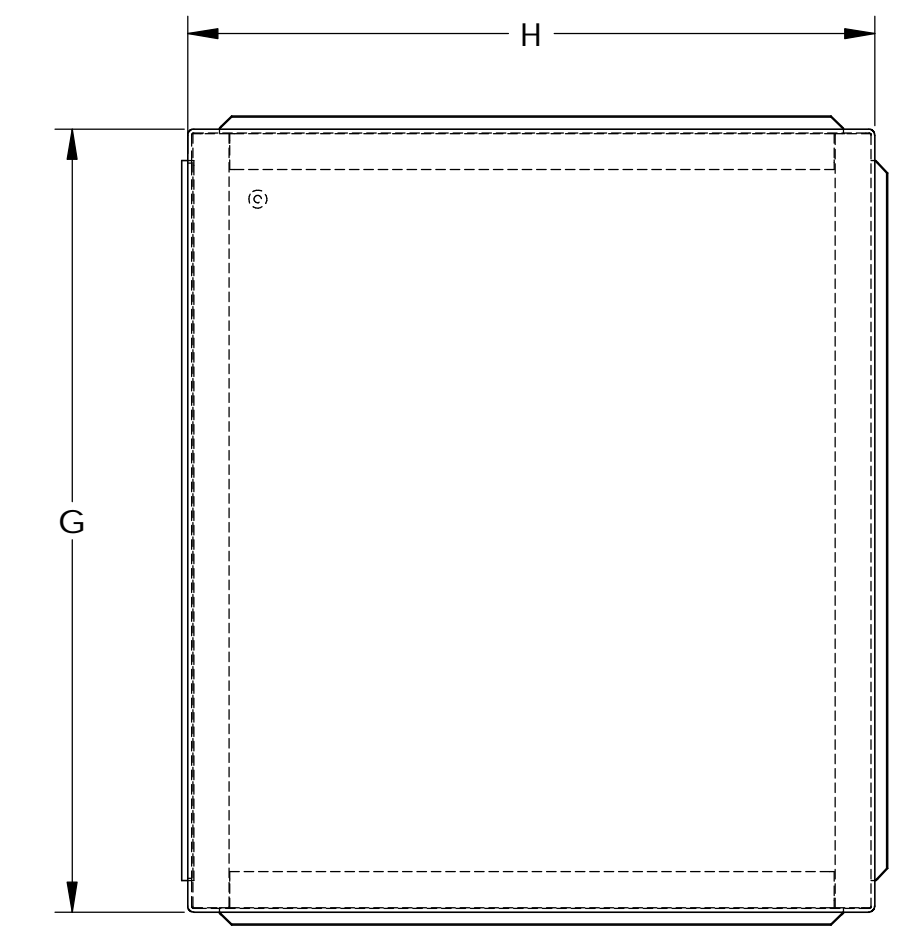
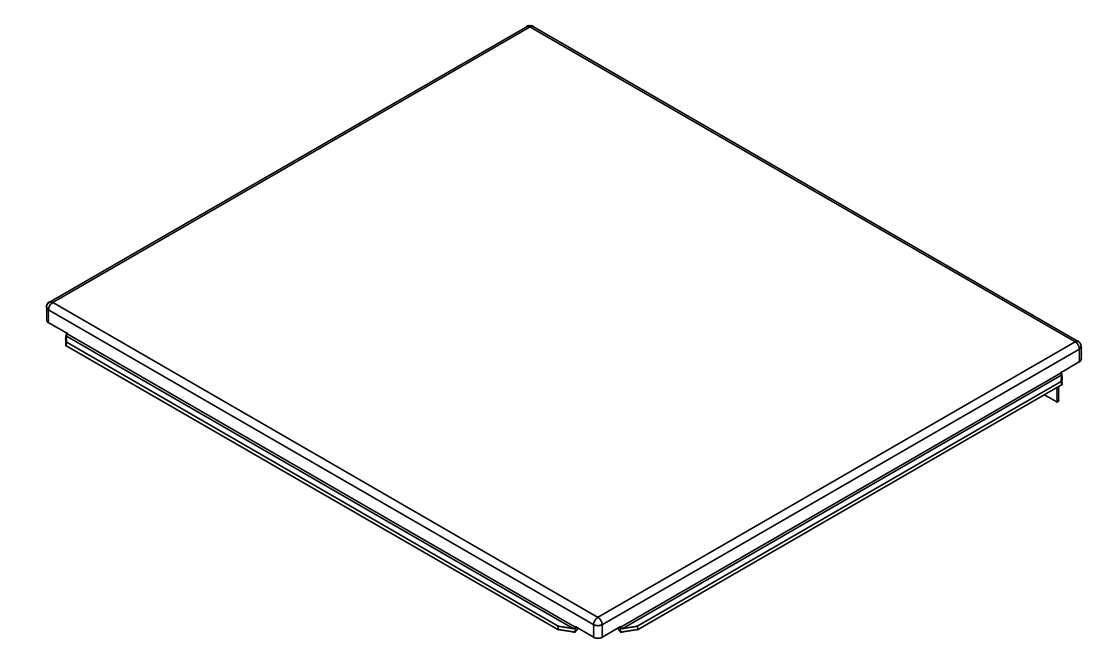
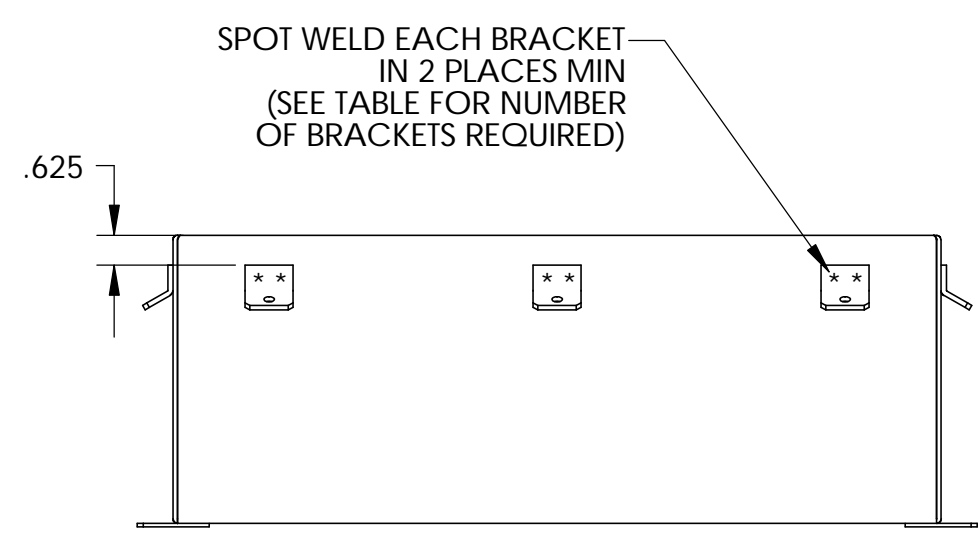
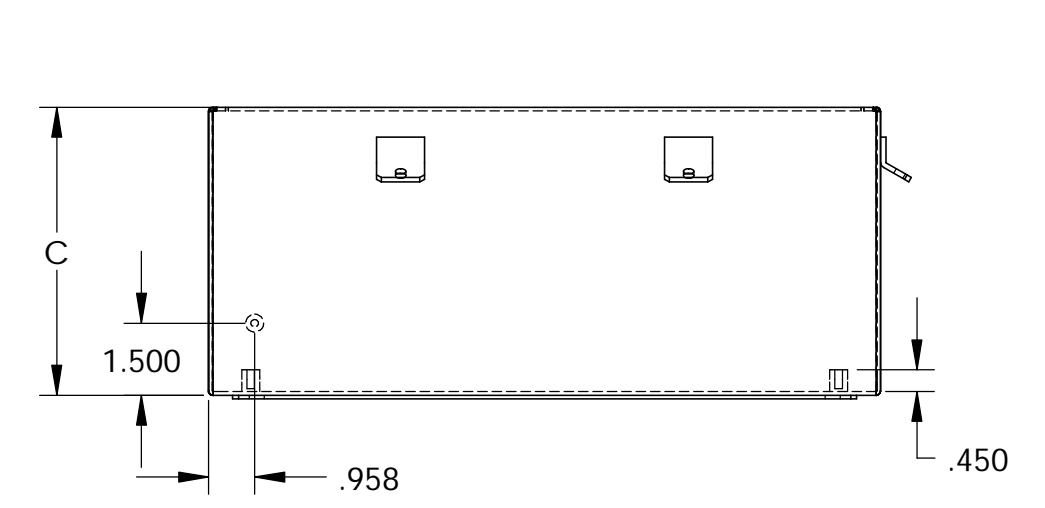
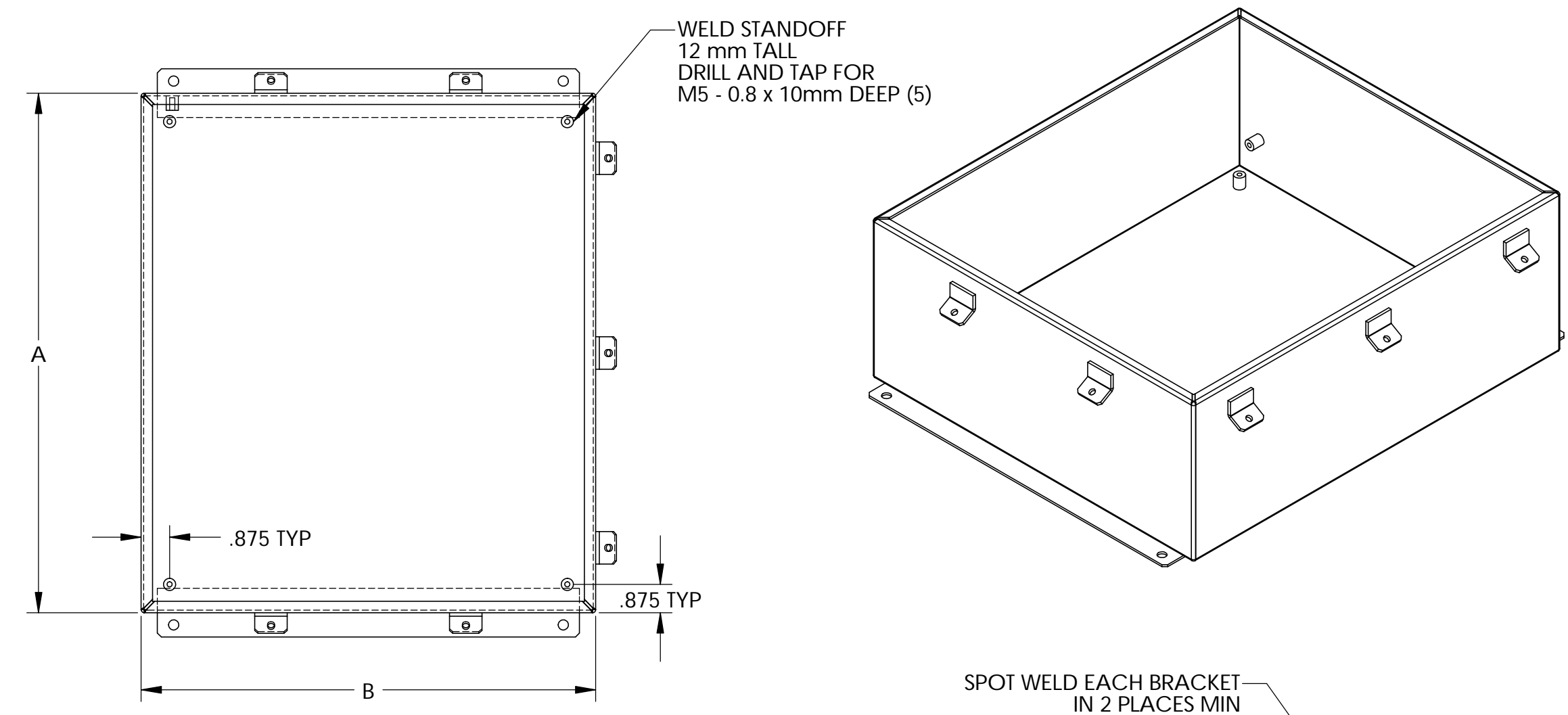
PART NUMBER	A	B	C	D	E	F	G	H	J	K	L	M	No. OF BRACKETS, SCREWS & LATCHES
SN-3700	6.00	4.00	3.00	6.75	2.00	3.00	6.31	4.31	7.50	2.52	3.25	5.00	3
SN-3701	8.00	6.00	3.50	8.75	4.00	5.00	8.31	6.31	9.50	3.02	3.75	7.00	3
SN-3702	6.00	6.00	4.00	6.75	4.00	5.00	6.31	6.31	7.50	3.52	4.25	5.00	3
SN-3703	12.00	10.00	5.00	12.75	8.00	9.00	12.31	10.31	13.50	4.52	5.25	11.00	6
SN-3704	10.00	8.00	6.00	10.75	6.00	7.00	10.31	8.31	11.50	5.52	6.25	9.00	4
SN-3705	12.00	12.00	6.00	12.75	10.00	11.00	12.31	12.31	13.50	5.52	6.25	11.00	6
SN-3706	14.00	12.00	6.00	14.75	10.00	11.00	14.31	12.31	15.50	5.52	6.25	13.00	6
SN-3707	16.00	14.00	6.00	16.75	12.00	13.00	16.31	14.31	17.50	5.52	6.25	15.00	7
SN-3708	14.00	12.00	8.00	14.75	10.00	11.00	14.31	12.31	15.50	7.52	8.25	13.00	6
SN-3709	16.00	14.00	10.00	16.75	12.00	13.00	16.31	14.31	17.50	9.52	10.25	15.00	7

PARTS LIST	
FINISH	AS NOTED
APPROVALS	DATE
DESIGN	1-3-06
CHECKED	DP
MATERIAL	AS NOTED
UNLESS OTHERWISE SPECIFIED	
DO NOT SCALE DRAWING	
SCALE	AS NOTED
SIZE	D
DATE	NO
FILE	SN-3700
REV.	

QTY.	USED ON

THE INFORMATION CONTAINED IN THIS DRAWING IS THE SOLE PROPERTY OF BUD INDUSTRIES INC. ANY REPRODUCTION IN PART OR WHOLE WITHOUT THE WRITTEN PERMISSION OF BUD INDUSTRIES INC. IS PROHIBITED.

DWG. NO. SN-3700	
ISSUE	REVISIONS
	SEE SHEET 1



ALL PARTS TO BE PAINTED SMOOTH GRAY

BODY ASSEMBLY						
PART NUMBER	A	B	C	D	E	F
3700-BA	6.00	4.00	3.00	6.75	2.00	3.00
3701-BA	8.00	6.00	3.50	8.75	4.00	5.00
3702-BA	6.00	6.00	4.00	6.75	4.00	5.00
3703-BA	12.00	10.00	5.00	12.75	8.00	9.00
3704-BA	10.00	8.00	6.00	10.75	6.00	7.00
3705-BA	12.00	12.00	6.00	12.75	10.00	11.00
3706-BA	14.00	12.00	6.00	14.75	10.00	11.00
3707-BA	16.00	14.00	6.00	16.75	12.00	13.00
3708-BA	14.00	12.00	8.00	14.75	10.00	11.00
3709-BA	16.00	14.00	10.00	16.75	12.00	13.00

COVER ASSEMBLY		
PART NUMBER	G	H
3700-CA	6.31	4.31
3701-CA	8.31	6.31
3702-CA	6.31	6.31
3703-CA	12.31	10.31
3704-CA	10.31	8.31
3705-CA	12.31	12.31
3706-CA	14.31	12.31
3707-CA	16.31	14.31
3708-CA	14.31	12.31
3709-CA	16.31	14.31

QTY.		USED ON		PARTS LIST		BUD INDUSTRIES INC.	
				APPROVALS	DATE	NEMA STEEL METAL BOX	
				DP	1-3-06		
				CHECKED			
				AS NOTED			
				APPROVED			
				AS NOTED			
				DO NOT SCALE DRAWING		SIZE [DWG. NO. SN-3700]	REV.
						SCALE [CAD FILE]	[SHEET 2 OF 2]