

PLEASE CHECK WWW.MOLEX.COM FOR LATEST PART INFORMATION

Part Number: **0191640016**
Status: **Active**
Description: Perma-Seal™ Male Quick Disconnect Tab for 18-22 AWG Wire, Tab Size 6.35mm (.250") x .81mm (.032"), Mylar Tape Carrier

Documents:

[Drawing \(PDF\)](#) [RoHS Certificate of Compliance \(PDF\)](#)

Agency Certification

CSA LR18689
 UL E79133

General

Product Family Quick Disconnects
 Series 19164
 Crimp Quality Equipment Yes
 Product Name Perma-Seal™
 Type Quick Disconnect

Physical

Barrel Type Closed
 Color - Resin Natural
 Flammability 94V-0
 Gender Male
 Glow-Wire Compliant No
 Insulation NiAc™
 Lock to Mating Part None
 Material - Metal Brass
 Material - Plating Mating Zinc Chromate
 Material - Plating Termination Zinc Chromate
 Material - Resin Nylon
 Orientation Straight
 Packaging Type Adhesive Tape on Reel
 Plating min: Mating (µin) 200
 Plating min: Mating (µm) 5
 Plating min: Termination (µin) 200
 Plating min: Termination (µm) 5
 Tab Thickness 0.81mm (.032")
 Tab Width 6.35mm (.250")
 Temperature Range - Operating -55°C to +125°C
 Wire Insulation Diameter 3.81mm (.150") max.
 Wire Size AWG 18, 20, 22
 Wire Size mm² 0.25 - 1.50

Electrical

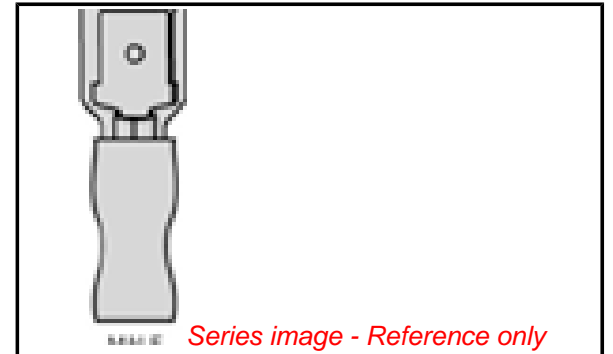
Voltage - Maximum 600V

Material Info

Old Part Number SAA-9260T

Reference - Drawing Numbers

Sales Drawing SD-19164-039



EU RoHS

ELV and RoHS Compliant
REACH SVHC
 Not Reviewed
Halogen-Free Status
 Not Reviewed

China RoHS



Need more information on product environmental compliance?

Email productcompliance@molex.com
 For a multiple part number RoHS Certificate of Compliance, [click here](#)

Please visit the [Contact Us](#) section for any non-product compliance questions.

Search Parts in this Series

19164Series

Application Tooling | FAQ

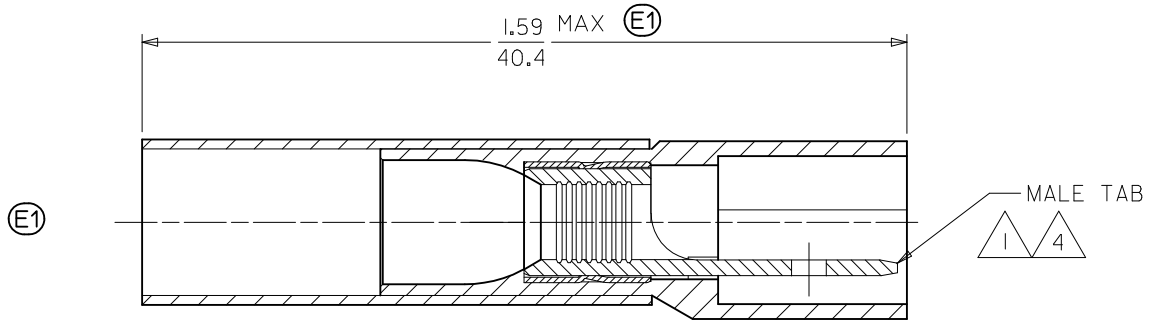
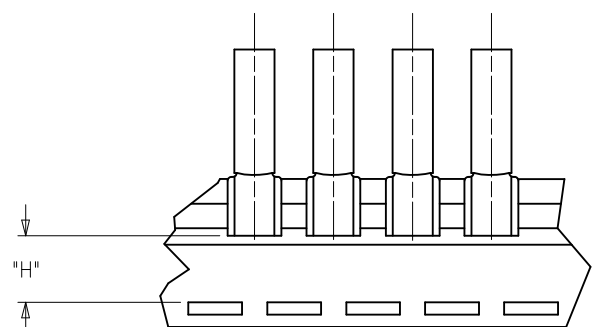
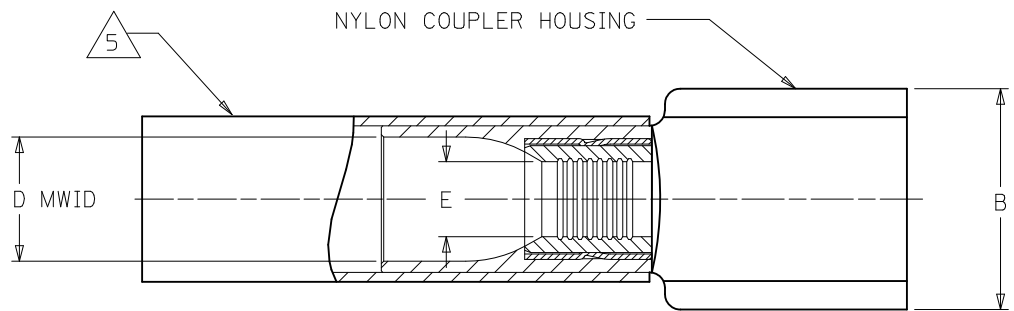
Tooling specifications and manuals are found by selecting the products below. Crimp Height Specifications are then contained in the Application Tooling Specification document.

Global

Description	Product #
Crimp Dies for MTA-100 Tape Applicator used in 3BF Press, MTA-105 Tape Applicator used in TM-2000™ Press, and ATP-301 Air Crimping Press for Mylar Tape Mounted Terminals	0192880095

PLEASE CHECK WWW.MOLEX.COM FOR LATEST PART INFORMATION

MATERIAL NUMBER	ENG. NUMBER	TAPE MATERIAL NUMBER	TAPE ENG NUMBER	WIRE SIZE AWG	WIRE SIZE MM SQ.	NYLON COLOR	B MAX.	D (E1) MWID	E MIN. DIA.	F MAX. DIA.	H (E1) NOMINAL
191640015	SAA-9260	191640016	SAA-9260T	22-18	.25-1.5	RED	.45/11.4	.17/4.3	.049/1.25	.29/7.4	.47/12.0
191640048	SBB-9262	191640049	SBB-9262T	16-14	1.0-2.5	BLUE	.45/11.4	.18 /4.5	.082/2.08	.31/7.9	.47/12.0
191640075	SC-9280	N/A	N/A	12-10	4.0-6.0	YELLOW	.46/11.7	.23/5.8	.148/3.76	.39/9.9	N/A



- NOTES:
- (E1) 1. MALE TAB CONFORMS TO UL310.
 - 2. ALL DIMENSIONS SHOWN ARE BEFORE SHRINK TUBING IS HEATED.
 - 3. "MWID" DENOTES MAX. WIRE INSULATION DIA.
 - (E1) 4. TAB MATERIAL: COPPER ALLOY, PLATING: TIN
 - (E1) 5. NYLON HEAT SHRINKABLE TUBING WITH HOTMELT INNER LINER. SEE CHART FOR COLOR.
 - (E1) 6. ALL PARTS ARE ROHS COMPLIANT.

SALES DRAWING

CORRECT SPECS EC NO: WNA2010-015 DRW: MATHRODAHL 2010/02/16 CHKD: JMACNEIL 2010/02/18 APPR: JMACNEIL 2010/02/22	QUALITY SYMBOLS	GENERAL TOLERANCES (UNLESS SPECIFIED)	DIMENSION STYLE	SCALE	DESIGN UNITS	THIRD ANGLE PROJECTION	
	▽=0	mm INCH	IN/MM	---	INCH		
	▽=0	4 PLACES ± --- ± ---	DRAWN BY DATE			TITLE	
		3 PLACES ± --- ± ---	BRE 2002/10/25			PERMA-SEAL COUPLER MALE TAB TERMINAL	
	2 PLACES ± --- ± ---	CHECKED BY DATE					
	1 PLACE ± --- ± ---	HEB 2002/10/25					
	ANGULAR ± ---°	APPROVED BY DATE					
		RWD 2002/10/25					
		MATERIAL NO.					
		SEE CHART					
		SIZE B					
		THIS DRAWING CONTAINS INFORMATION THAT IS PROPRIETARY TO MOLEX INCORPORATED AND SHOULD NOT BE USED WITHOUT WRITTEN PERMISSION					