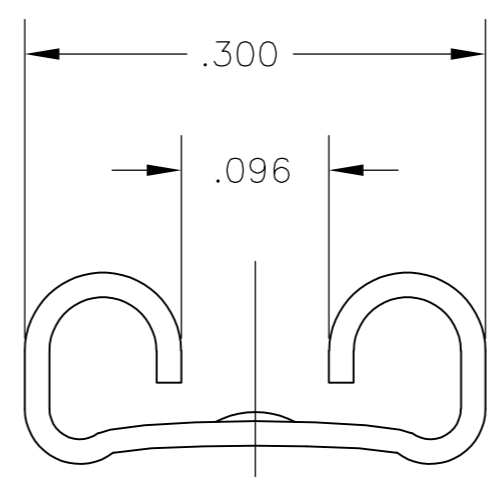
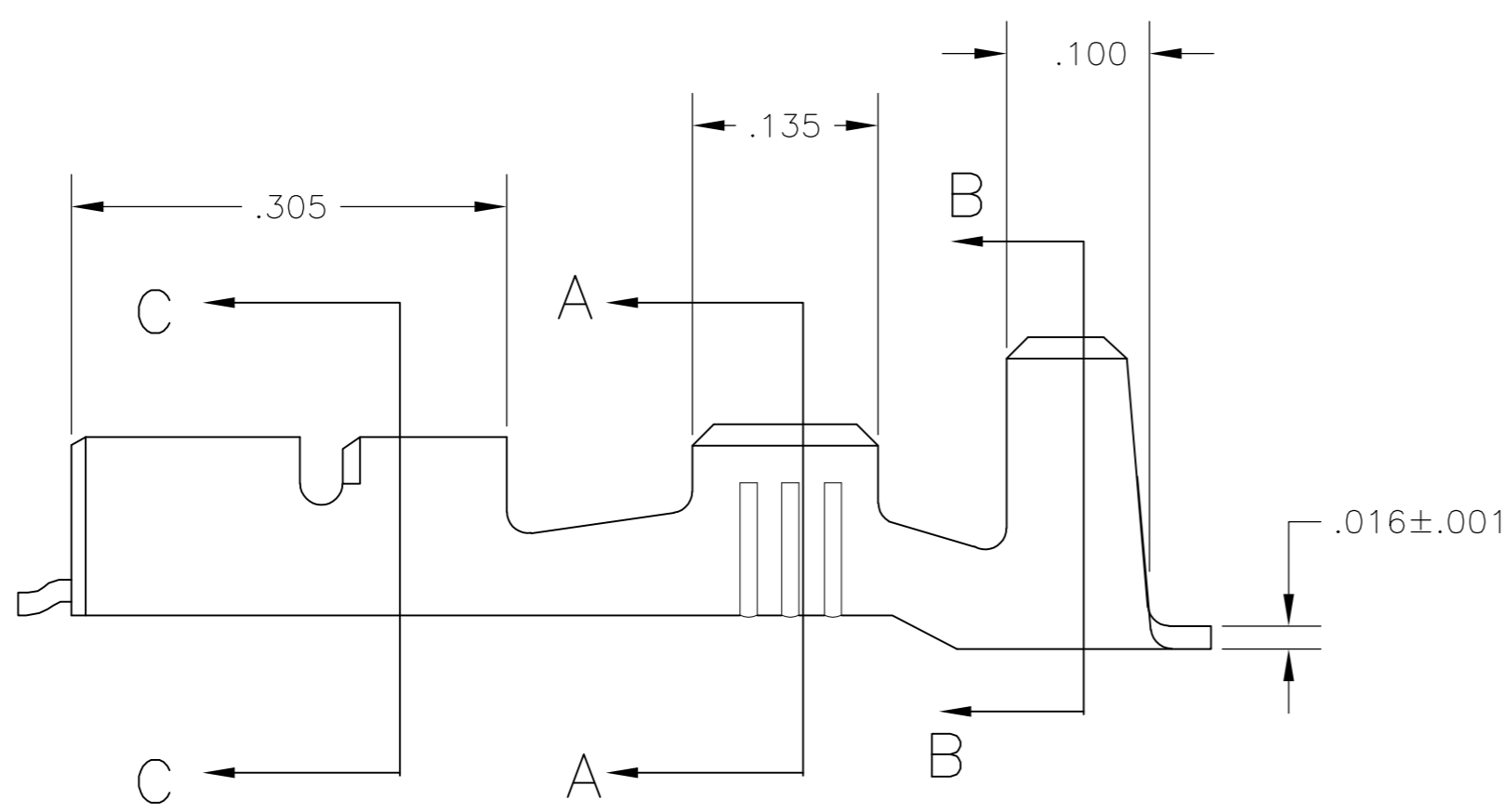
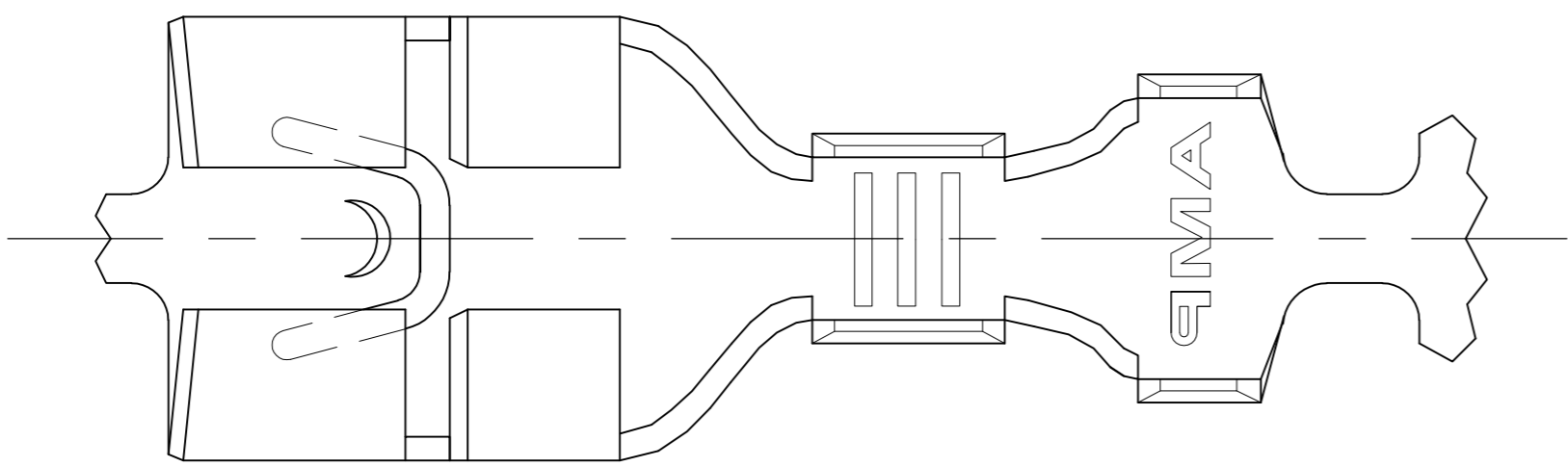


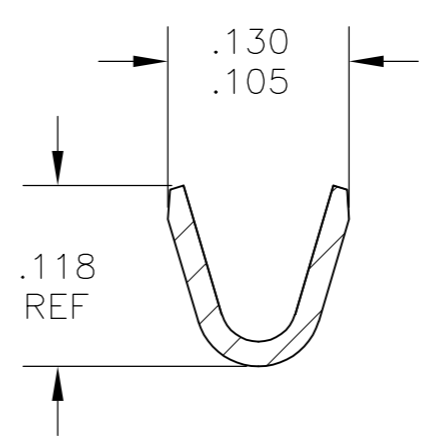
THIS DRAWING IS UNPUBLISHED. RELEASED FOR PUBLICATION  
 © COPYRIGHT - By - ALL RIGHTS RESERVED.

LOC		DIST		REVISIONS			
P	LTR	DESCRIPTION		DATE	DWN	APVD	
AF	50	B		REVISED PER ECR-12-013518	26NOV2012	KH	PD

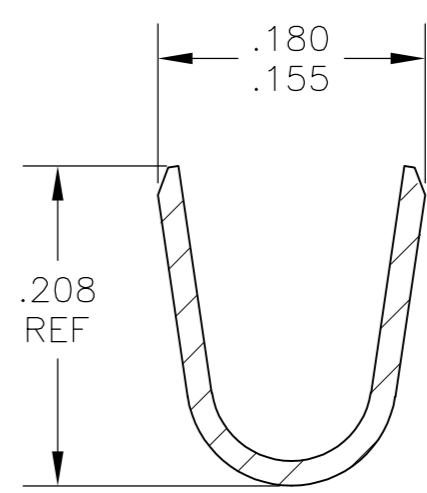
- 1 CONTINUOUS STRIP ON REELS
- 2 ACCEPTS #20-#16 AWG WIRE SIZE
- 3 INSULATION RANGE IS .090-.130 DIA
- 4 MATING TAB THK IS .032±.001.



SECTION C-C



SECTION A-A



SECTION B-B

1742950-1  
 PART NO

THIS DRAWING IS A CONTROLLED DOCUMENT.		DWN	JR RUTH	25JUL06		TE Connectivity																							
DIMENSIONS: INCHES		CHK	P DESANTIS	25JUL06		NAME																							
TOLERANCES UNLESS OTHERWISE SPECIFIED:		APVD	P DESANTIS	25JUL06		RECEPTACLE, FASTON, .250 SERIES																							
<table border="0"> <tr><td>0 PLC</td><td>±</td><td>-</td></tr> <tr><td>1 PLC</td><td>±</td><td>-</td></tr> <tr><td>2 PLC</td><td>±</td><td>-</td></tr> <tr><td>3 PLC</td><td>±</td><td>.010</td></tr> <tr><td>4 PLC</td><td>±</td><td>-</td></tr> <tr><td>ANGLES</td><td>±</td><td>-</td></tr> <tr><td>FINISH</td><td>±</td><td>-</td></tr> </table>		0 PLC	±	-		1 PLC	±	-	2 PLC	±	-	3 PLC	±	.010	4 PLC	±	-	ANGLES	±	-	FINISH	±	-	PRODUCT SPEC	-		SIZE	CAGE CODE	DRAWING NO
0 PLC	±	-																											
1 PLC	±	-																											
2 PLC	±	-																											
3 PLC	±	.010																											
4 PLC	±	-																											
ANGLES	±	-																											
FINISH	±	-																											
MATERIAL	BRASS	WEIGHT	-	SCALE	8:1	SHEET	1 of 1	REV	B																				
SEE TABLE		CUSTOMER DRAWING		A2 00779 C=1742950																									