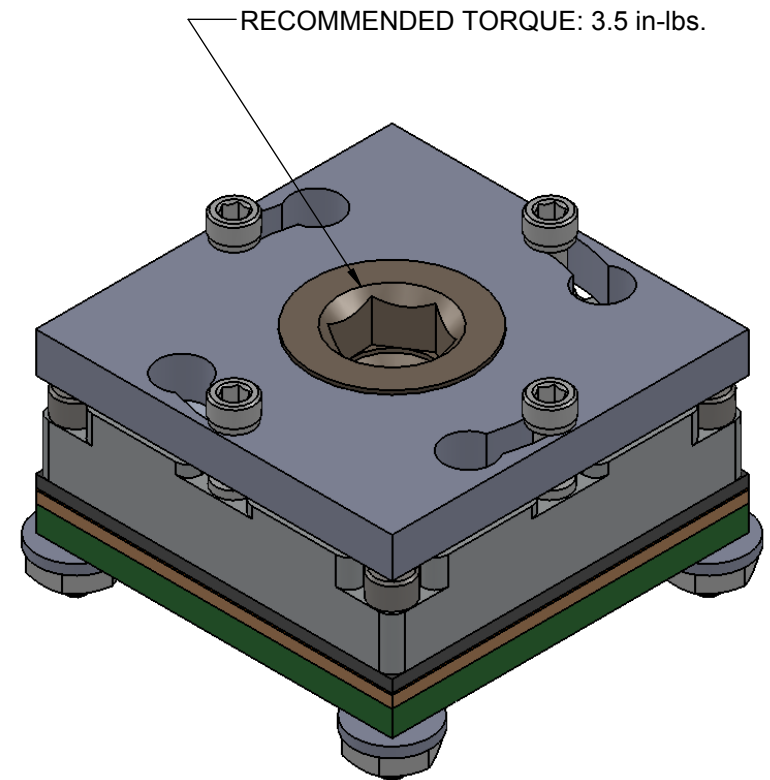
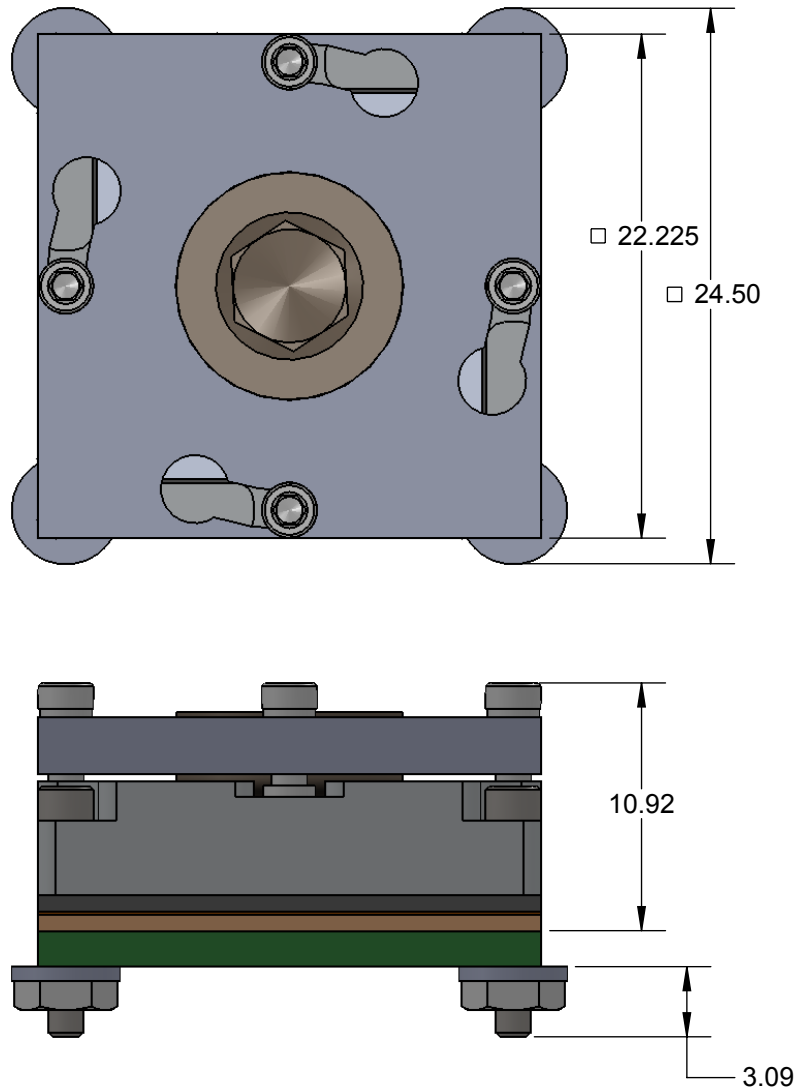


GHz BGA Socket - Direct mount, solderless

Features


- Directly mounts to target PCB (needs tooling holes) with hardware
- High speed, reliable Elastomer connection
- Minimum real estate required
- Compression plate distributes forces evenly
- Ball guide prevents over compression of elastomer
- Easily removable swivel socket lid



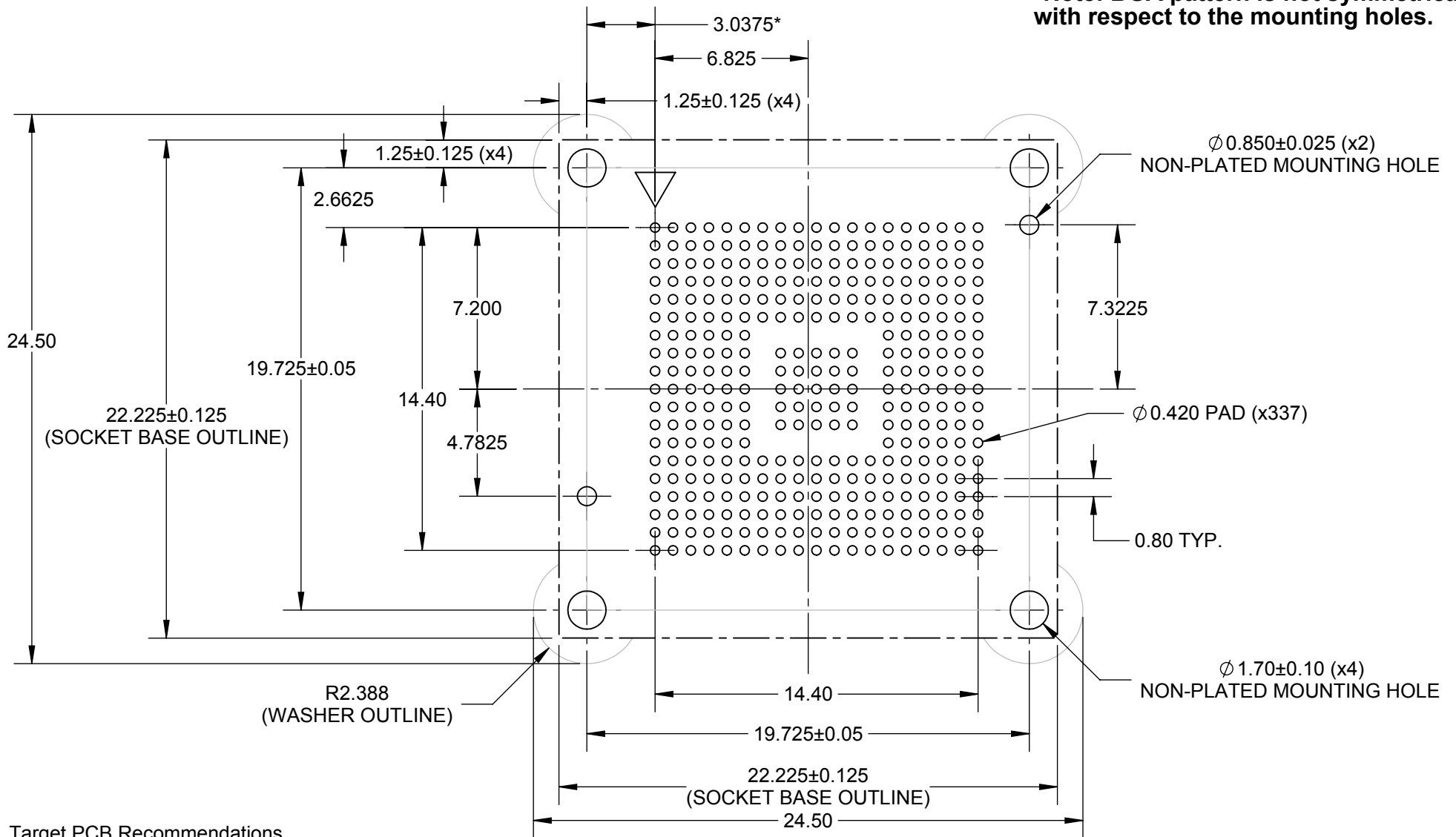
Description: SG-BGA Socket, 0.8mm pitch, 19x19 array

Primary dimension units are millimeters, Secondary dimension units are [inches], Weight is in grams.

Tolerances: Hole diameters $\pm 0.03\text{mm}$ [± 0.001 "], Pitches (from true position) $\pm 0.025\text{mm}$ [± 0.001 "], substrate thickness tolerance $\pm 10\%$, all other tolerances $\pm 0.13\text{mm}$ [± 0.005 " unless stated otherwise. Materials and specifications are subject to change without notice.

 SG-BGA-6407 Drawing Ironwood Electronics, Inc. Tele: (800) 404-0204 www.ironwoodelectronics.com	Material: N/A Finish: N/A Weight: 11.31	STATUS: Released ENG: S. Faiz FILE: SG-BGA-6407	SHEET: 1 OF 4 DRAWN BY: D. Hauer DATE: 04/01/14	REV. A SCALE: 3:1

***Note: BGA pattern is not symmetrical with respect to the mounting holes.**




Target PCB Recommendations

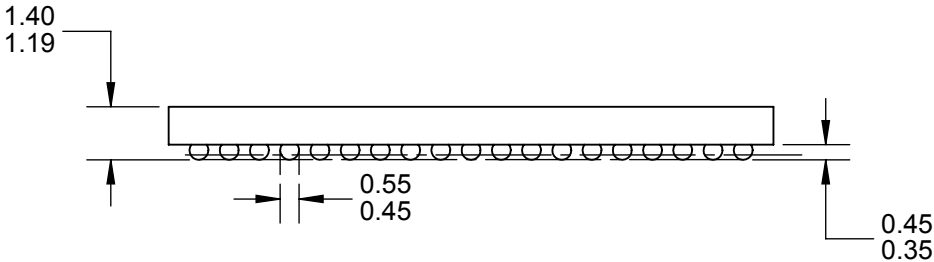
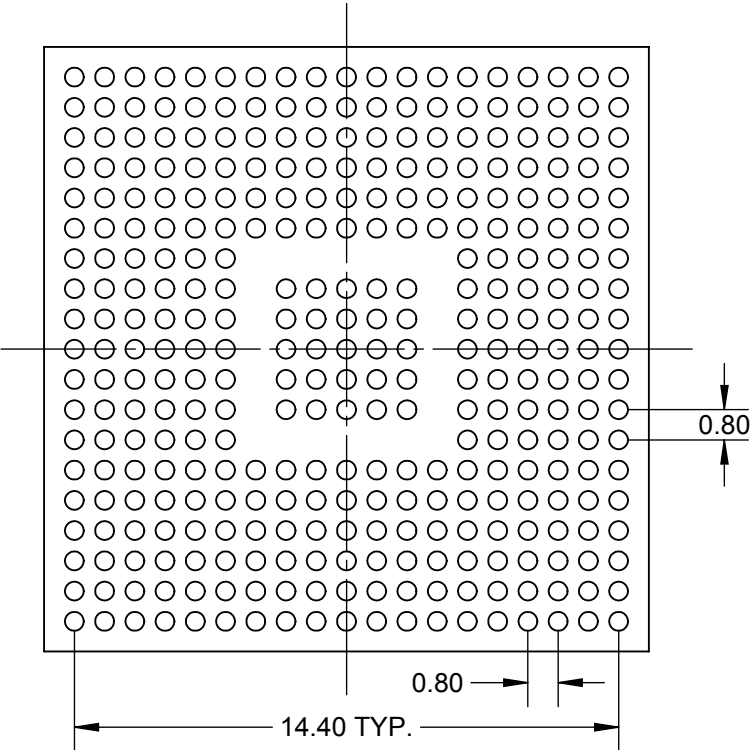
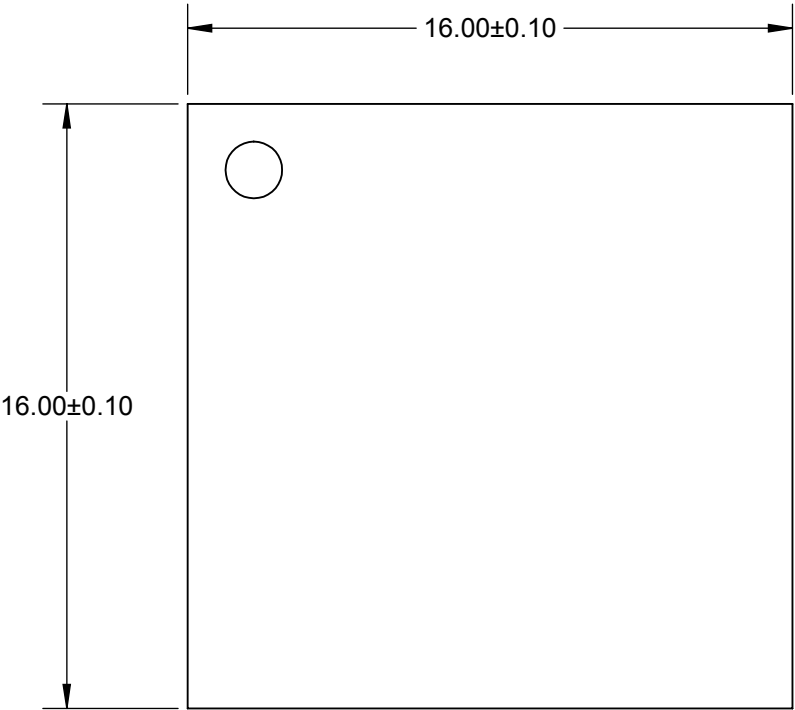
Total thickness: 1.6mm min.
 Plating: Gold or Solder finish
 PCB Pad height: Same or higher than solder mask

Description: Recommended PCB Layout

Primary dimension units are millimeters, Secondary dimension units are [inches], Weight is in grams.
 Tolerances: Hole diameters $\pm 0.0254\text{mm}$ [± 0.001 "]. Pitches (from true position) $\pm 0.0762\text{mm}$ [± 0.003 "], substrate thickness tolerance $\pm 10\%$, all other tolerances $\pm 0.127\text{mm}$ [± 0.005 "] unless stated otherwise. Materials and specifications are subject to change without notice.

 SG-BGA-6407 Drawing Ironwood Electronics, Inc. Tele: (800) 404-0204 www.ironwoodelectronics.com	Material: N/A Finish: N/A Weight: 11.31	STATUS: Released	SHEET: 2 OF 4	REV. A
		ENG: S. Faiz	DRAWN BY: D. Hauer	SCALE: 4:1
		FILE: SG-BGA-6407	DATE: 04/01/14	

Ironwood Package Code: BGA361E*




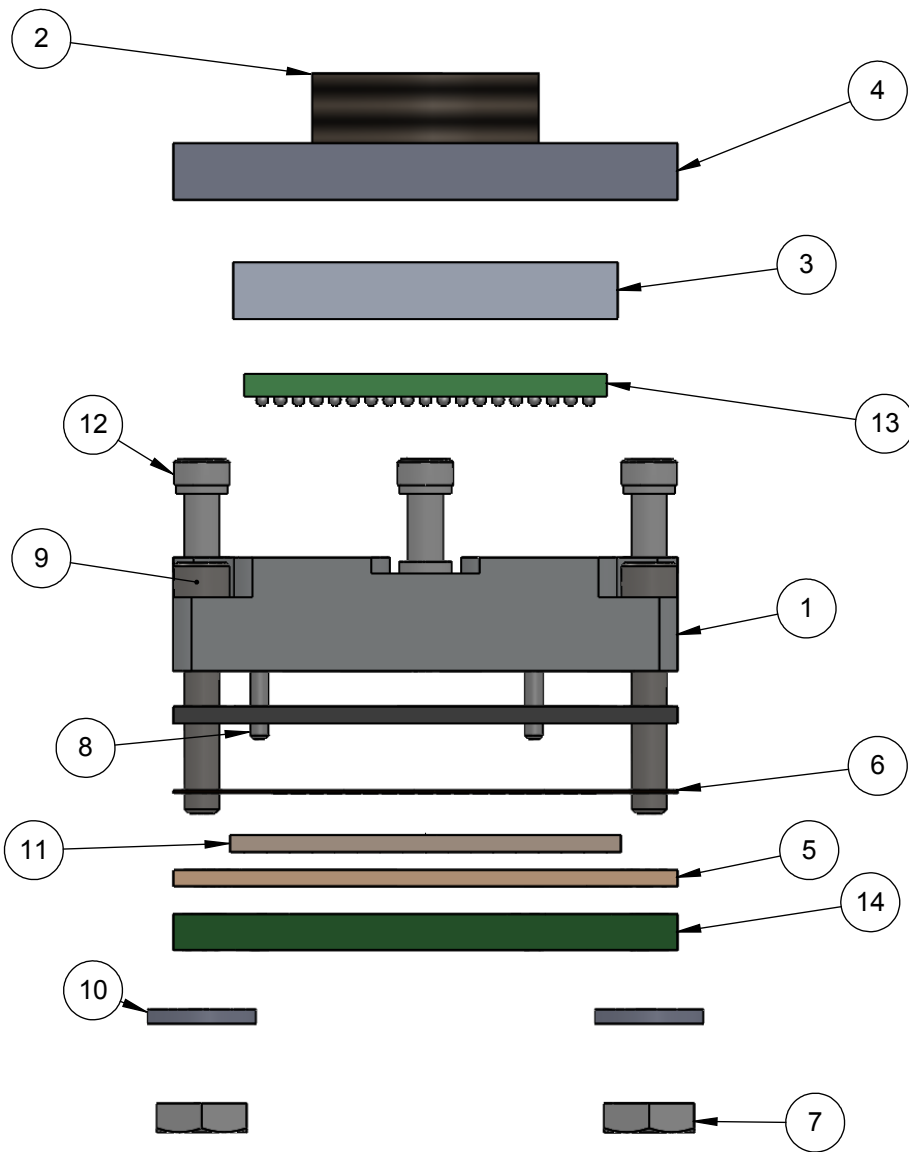
Dimensions are in millimeters.

*Package Code is for compatible full array, depopulated array shown

Description: Compatible BGA

Primary dimension units are millimeters, Secondary dimension units are [inches], Weight is in grams.
 Tolerances: Hole diameters ±0.03mm [±0.001"], Pitches (from true position) ±0.025mm [±0.001"], substrate thickness tolerance ±10%, all other tolerances ±0.13mm [±0.005"] unless stated otherwise. Materials and specifications are subject to change without notice.

 SG-BGA-6407 Drawing Ironwood Electronics, Inc. Tele: (800) 404-0204 www.ironwoodelectronics.com	Material: N/A Finish: N/A Weight: 11.31	STATUS: Released	SHEET: 3 OF 4	REV. A
		ENG: S. Faiz	DRAWN BY: D. Hauer	SCALE: 5:1
		FILE: SG-BGA-6407	DATE: 04/01/14	




ITEM NO.	Description	Material
1	Socket Base SG 17mm IC 5mm Thk	7075-T6 (SN)
2	Compression Screw M10	7075-T6 Alumium Alloy
3	Compression Plate	7075-T6 Aluminum Alloy
4	Socket Lid	7075-T6 Aluminum Alloy
5	Elastomer Guide 17mm	Ultem 1000
6	Ball Guide	Kapton Polyimide/Cirlex
7	Nut, #0-80, SS	Stainless Steel (18-8)
8	Dowel Pin, 1/32" x 3/16", SS	Chrome Stainless Steel
9	#0-80 X .375 LG, SOC HD CAP SCREW, ALLOY STL, BLK OXIDE	Alloy Steel
10	Washer, #0 x .025", Nylon	Nylon 6/6
11	0.75mm thick 0.1mm pitch 63 deg angled elastomer	Silicon Rubber
12	#0-80 Shoulder Screw, 0.090" thread length	Stainless Steel (303)
13	Test chip BGA337A 16mm sq. 19x19 array 0.8mm pitch	FR4 High temp
14	Test PCB BGA361 16mm sq. 19x19 array 0.8mm pitch	Material <not specified>
15	IC Guide	Torlon 4203

Description: Socket Assy

Primary dimension units are millimeters, Secondary dimension units are [inches], Weight is in grams.

Tolerances: Hole diameters $\pm 0.03\text{mm}$ [$\pm 0.001"$], Pitches (from true position) $\pm 0.025\text{mm}$ [$\pm 0.001"$], substrate thickness tolerance $\pm 10\%$, all other tolerances $\pm 0.13\text{mm}$ [$\pm 0.005"$] unless stated otherwise. Materials and specifications are subject to change without notice.

Rev	Date	Initials	Description
A	04/01/14	DH	Original

 SG-BGA-6407 Drawing Ironwood Electronics, Inc. Tele: (800) 404-0204 www.ironwoodelectronics.com	Material: N/A Finish: N/A Weight: 11.31	STATUS: Released ENG: S. Faiz FILE: SG-BGA-6407	SHEET: 4 OF 4 DRAWN BY: D. Hauer DATE: 04/01/14	REV. A SCALE: 3:1