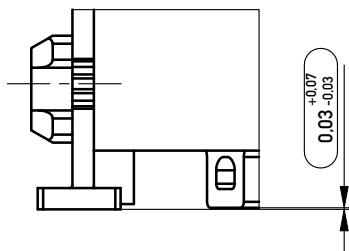
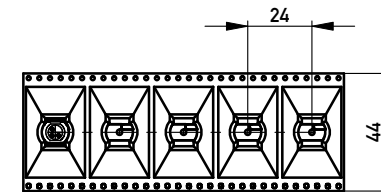
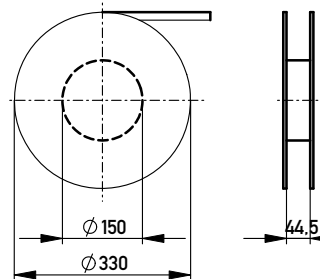


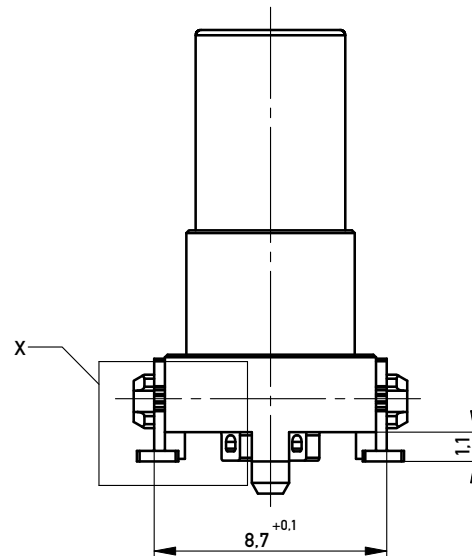
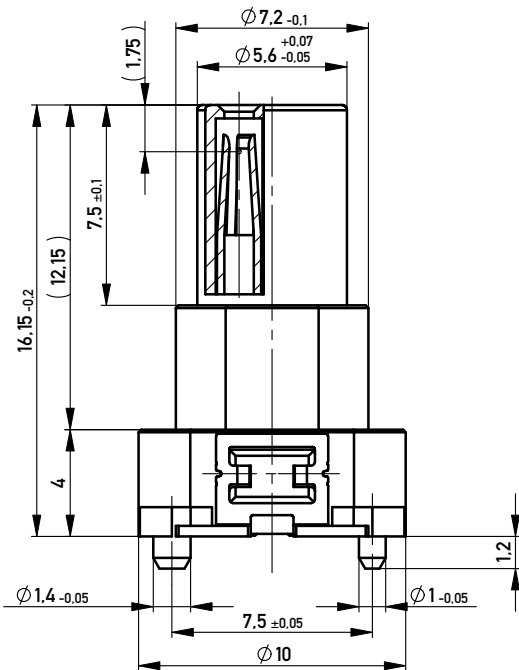
DETAIL X
M 10:1



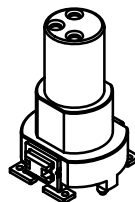
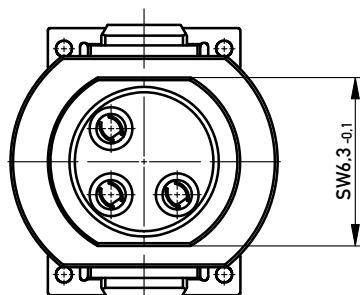
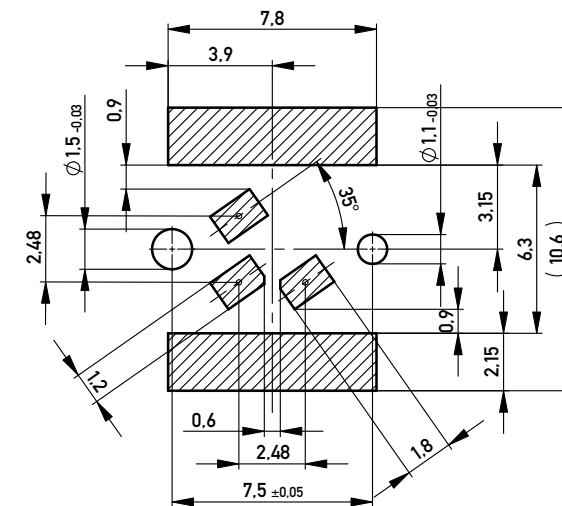
Verpackt in Gurtverpackung - Tape on Reel Packaging
Verpackungseinheit: 100 Stück - Packaging unit: 100 pcs



Abspulrichtung - Reel off Direction



Layout - Vorschlag
PCB - Layout proposal



Koplanarität aller Kontakte und Clip <= 0.1mm
Coplanarity of all contacts and clips <= 0.1mm

234233	M8, 3polig 16,25mm, SMD	Schüttgut / bulk
224150	M8, 3polig 16,25mm, SMD	Gurtverpackung / Tape on Reel Packaging
Ident-Nr.	Mass A	Bemerkung

Information:	Tolerances	Scale	1:0.2
All rights reserved. Only for Information. To ensure that this is the latest version of this drawing, please contact one of the ERNI companies before using.	Subject to modification without prior notice. Drawing will not be updated.	 All Dimensions in mm	Designation
			Federleiste M8 3 polig 16.25mm SMD
h	03.02.2011	www.ERNI.com	224811
Index	Date		Class

Copyright by ERNI GmbH
Proprietary notice pursuant to ISO 16016 to be observed.

A3