

# THRU-HOLE POWER INDUCTORS



## AIUR-15, AIUR-16 SERIES

### FEATURES:

- Ferrite core with heat shrink tube
- High Reliability

### OPTIONS:

- Bulk Pack is standard

### APPLICATIONS:

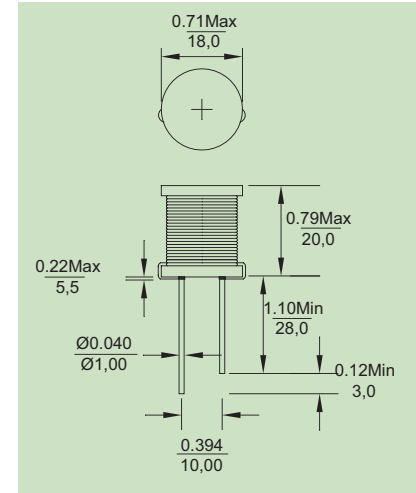
- Electronic Appliance
- Noise Filtering

### STANDARD SPECIFICATIONS:

| Part Number<br>AIUR-15 | L (μH) | R <sub>DC</sub> (Ω)<br>Max | I <sub>DC</sub> (A)<br>Max |
|------------------------|--------|----------------------------|----------------------------|
| 220M                   | 22     | 0.030                      | 5.7                        |
| 270M                   | 27     | 0.033                      | 5.0                        |
| 330K                   | 33     | 0.038                      | 4.8                        |
| 390K                   | 39     | 0.038                      | 4.5                        |
| 470K                   | 470    | 0.044                      | 4.2                        |
| 560K                   | 56     | 0.048                      | 4.0                        |
| 680K                   | 68     | 0.055                      | 3.8                        |
| 820K                   | 82     | 0.066                      | 3.5                        |
| 101K                   | 100    | 0.082                      | 3.2                        |
| 121K                   | 120    | 0.098                      | 3.0                        |
| 151K                   | 150    | 0.110                      | 2.7                        |

| Part Number<br>AIUR-15 | L (μH) | R <sub>DC</sub> (Ω)<br>Max | I <sub>DC</sub> (A)<br>Max |
|------------------------|--------|----------------------------|----------------------------|
| 181K                   | 180    | 0.130                      | 2.5                        |
| 221K                   | 220    | 0.160                      | 2.3                        |
| 271K                   | 270    | 0.190                      | 2.0                        |
| 331K                   | 330    | 0.260                      | 1.8                        |
| 391K                   | 390    | 0.290                      | 1.7                        |
| 471K                   | 470    | 0.330                      | 1.5                        |
| 561K                   | 560    | 0.410                      | 1.4                        |
| 681K                   | 680    | 0.460                      | 1.3                        |
| 821K                   | 820    | 0.630                      | 1.1                        |
| 102K                   | 1000   | 0.710                      | 1.0                        |

### PHYSICAL CHARACTERISTICS:



### TECHNICAL INFORMATION:

- Test frequency: 1KHz, 0.1VRMS
- Inductance tolerance: M=20%, K=10%
- IDC: Inductance drops 10% typical or, ΔT ≤ 40°C with rated IDC
- Letter suffix indicates standard tolerance

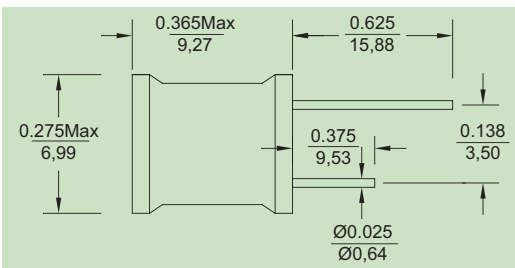
- Operating Temperature: -40°C to +85°C
- Storage Temperature: -55°C to +125°C
- Marking: Inductance and tolerance
- \*\* No Tubing

| Part Number<br>AIUR-16 | L (μH) | R <sub>DC</sub> (Ω)<br>Max | I <sub>DC</sub> (A)<br>Max |
|------------------------|--------|----------------------------|----------------------------|
| 3R9K                   | 3.9    | 0.020                      | 2.70                       |
| 4R7K                   | 4.7    | 0.022                      | 2.50                       |
| 5R6K                   | 5.6    | 0.027                      | 2.30                       |
| 6R8K                   | 6.8    | 0.029                      | 2.10                       |
| 8R2K                   | 8.2    | 0.036                      | 1.90                       |
| 100K                   | 10     | 0.041                      | 1.70                       |
| 120K                   | 12     | 0.046                      | 1.55                       |
| 150K                   | 15     | 0.050                      | 1.40                       |
| 180K                   | 18     | 0.062                      | 1.30                       |
| 220K                   | 22     | 0.071                      | 1.20                       |
| 270K                   | 27     | 0.073                      | 1.10                       |
| 330K                   | 33     | 0.090                      | 0.92                       |
| 390K                   | 39     | 0.102                      | 0.84                       |
| 470K                   | 47     | 0.120                      | 0.76                       |
| 560K                   | 56     | 0.162                      | 0.70                       |
| 680K                   | 68     | 0.186                      | 0.66                       |

| Part Number<br>AIUR-16 | L (mH) | R <sub>DC</sub> (Ω)<br>Max | I <sub>DC</sub> (A)<br>Max |
|------------------------|--------|----------------------------|----------------------------|
| 820K                   | 82     | 0.240                      | 0.580                      |
| 101K                   | 100    | 0.270                      | 0.530                      |
| 121K                   | 120    | 0.310                      | 0.460                      |
| 151K                   | 150    | 0.372                      | 0.440                      |
| 181K                   | 180    | 0.456                      | 0.390                      |
| 221K                   | 220    | 0.535                      | 0.350                      |
| 271K                   | 270    | 0.625                      | 0.320                      |
| 331K                   | 330    | 0.816                      | 0.300                      |
| 391K                   | 390    | 1.0                        | 0.280                      |
| 471K                   | 470    | 1.2                        | 0.240                      |
| 561K                   | 560    | 1.3                        | 0.225                      |
| 681K                   | 680    | 1.8                        | 0.210                      |
| 821K                   | 820    | 2.1                        | 0.190                      |
| 102K                   | 1000   | 3.0                        | 0.165                      |
| 122K                   | 1200   | 3.3                        | 0.155                      |
| 152K                   | 1500   | 3.5                        | 0.135                      |

| Part Number<br>AIUR-16 | L (μH) | R <sub>DC</sub> (Ω)<br>Max | I <sub>DC</sub> (A)<br>Max |
|------------------------|--------|----------------------------|----------------------------|
| 182K                   | 1.8    | 5.7                        | 0.125                      |
| 222K                   | 2.2    | 6.2                        | 0.115                      |
| 272K                   | 2.7    | 7.6                        | 0.105                      |
| 332K                   | 3.3    | 8.5                        | 0.096                      |
| 392K                   | 3.9    | 10.3                       | 0.084                      |
| 472K                   | 4.7    | 11.3                       | 0.076                      |
| 562K                   | 5.6    | 13                         | 0.070                      |
| 682K                   | 6.8    | 17                         | 0.064                      |
| 822K                   | 8.2    | 20                         | 0.057                      |
| 103K                   | 10     | 27                         | 0.053                      |
| 123K                   | 12     | 31                         | 0.047                      |
| 153K                   | 15     | 45                         | 0.043                      |
| 183K                   | 18     | 51                         | 0.038                      |
| 223K                   | 22     | 60                         | 0.035                      |
| 273K                   | 27     | 66                         | 0.033                      |
| 333K                   | 33     | 100                        | 0.029                      |

### PHYSICAL CHARACTERISTICS:



### TECHNICAL INFORMATION:

- Test frequency: 10KHz 0.1VRMS
- Tolerance: K=10% (Standard)
- Letter suffix indicates standard tolerance
- Temperature: -40°C to +125°C with no load -40°C to +85°C with full rated current
- Marking: Value and tolerance
- IDC: 5% typical Lp drops from initial value
- UL Shrink Tube

**Note:** Where wires exits over flange to lead termination add 0.050" total to max diameter. Check SCD for detail E&M specification