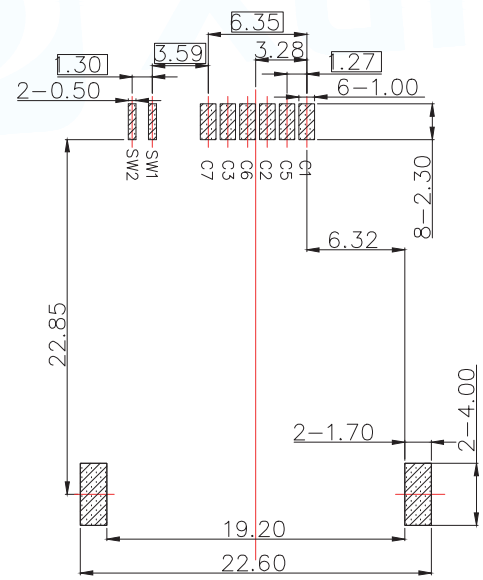
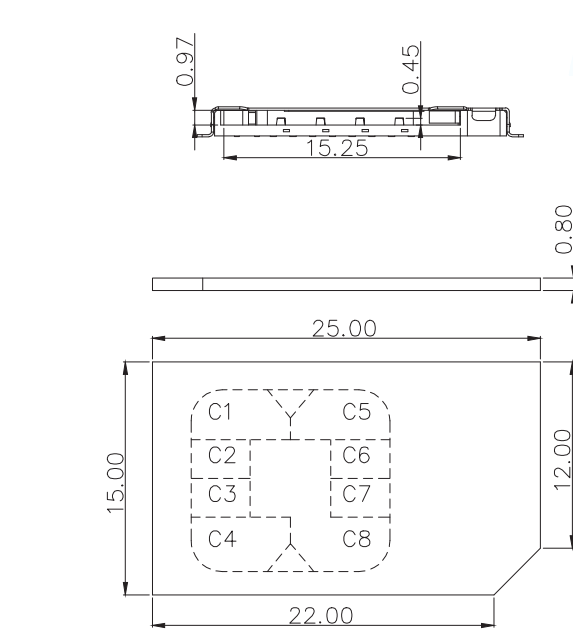


SPECIFICATION

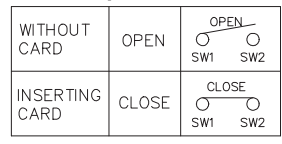
MATERIAL:
 INSULATOR: HIGH TEMPERATURE THERMOPLASTIC,
 UL 94V-0. COLOR: BLACK LCP
 CONTACT: COPPER ALLOY
 PLATING:
 CONTACT: PLATED 30U" NI OVERALL
 PLATED AU SELECTIVE CONTACT AREA
 SHELL: PLATED 30U" NI OVERALL, PAD G/F AU
 ELECTRICAL:
 CURRENT RATING: 0.5AMPS
 VOLTAGE RATING: 5V AC/DC
 AMBIENT TEMPERATURE RANGE: -20°C~+60°C
 STORAGE TEMPERATURE RANGE: -40°C~+80°C
 AMBIENT HUMIDITY RANGE: 95% R.H. MAX.
 CONTACT RESISTANCE: 100MΩMAX.
 INSULATION RESISTANCE: 1000MΩMIN./500VDC
 MATING CYCLES: 5,000 INSERTIONS
 REFLOW PEAK TEMP: 260°C



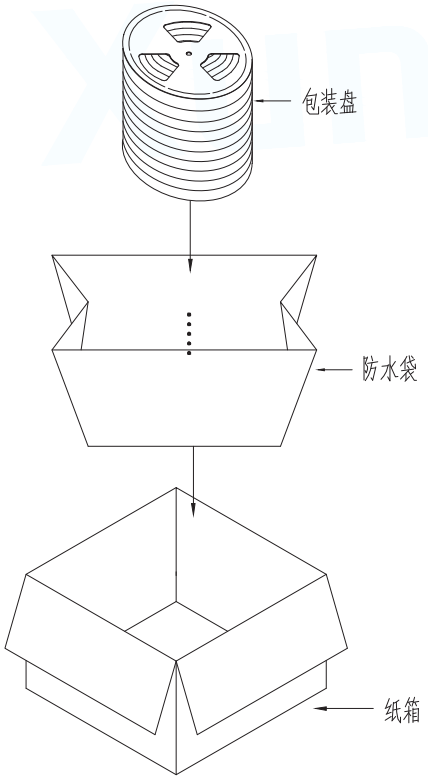
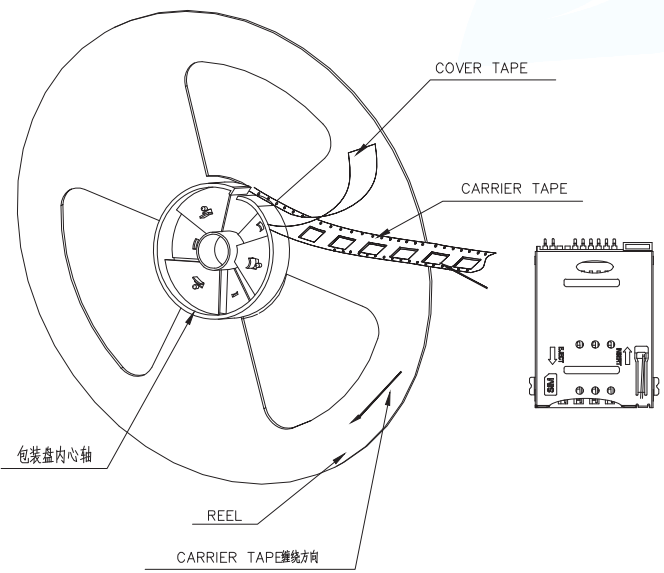
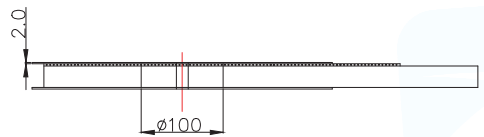
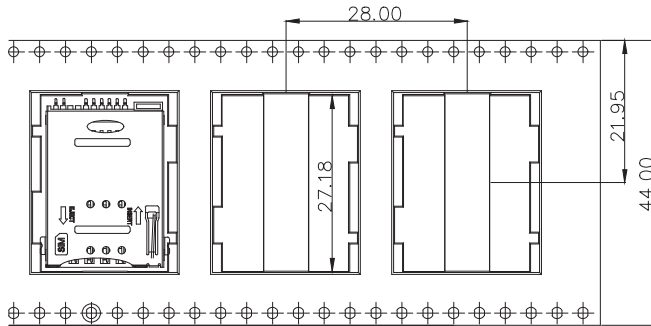
MINI SIM CARD	
Pin No.	NAME
C1	VCC OF SIM
C2	RST OF SIM
C3	CLK OF SIM
C5	GND OF SIM
C6	VPP OF SIM
C7	I/O OF SIM
C4/C8	N/A
SW1	DETECTION SWITCH1
SW2	DETECTION SWITCH2

PAD AREA
 KEEP OUT AREA
RECOMMENDED PCB LAYOUT
 GENERAL TOLERANCE ±0.05

Circuit Diagram for Detect Switch



MANUFACTURE DWG		东莞市讯普电子科技有限公司 DongGuan XunPu Electronics Co.,Ltd	
UNLESS OTHERWISE SPECIFIED TOLERANCES			TITLE: MINI SIM CARD PUSH PUSH 6P+2P SMT无柱
			PAR SIM-117
DECIMALS: ANGLES: ±1°			DWN
X.X: ±0.25			CHKD
X.XX: ±0.10		APVD	
X.XXX: ±0.05		CUSTOMER COPY	SCALE1:1 UNIT: MM
		SIZE: A4	SHEET: 1F1
			REV: A



- 一:
1. 将成品一一放入包装盘内, 依同一方向放入
 2. 包装时, 如图所示.
 3. 一个包装然放置700个成品
- 二:
1. 一只纸箱可放置3个或5个包装盘
 2. 一只纸箱可放2100PCS 或4200PCS 的成品
 3. 将成品放入包装盘内包装完后再装箱

- Note: PULL OUT DIRECTION
1. 10 sprocket hole pitch cumulative tolerance ± 0.2
 2. Carrier camber is within 1 mm in 250mm.
 3. Material: Black Conductive Polystyrene Alloy 100
 4. All dimensions meet EIA-481-B requirements.
 5. Thickness: 0.3 ± 0.05 mm.
 6. Component load per 13" reel: 700 pcs.
 7. A box of 3 volumes, 2100PCS
 8. 纸箱规格一: 345*345*165, 纸箱重为300g, (一箱装2100PCS)
 9. 纸箱规格二: 345*345*315, 纸箱重为500g, (一箱装4200PCS)
 10. 重量: 每盘700PCS重1470g, 每Pcs重1.3g/Pcs

MANUFACTURE DWG		东莞市讯普电子科技有限公司 DongGuan XunPu Electronics Co., Ltd	
UNLESS OTHERWISE SPECIFIED TOLERANCES			TITLE: MINI SIM CARD PUSH PUSH 6P+2P SMT无柱 包装图
			PAR SIM-117
			DWN
			CHKD
DECIMALS:	ANGLES: $\pm 1^\circ$	APVD	
X.X: ± 0.25		SCALE: 1:1	UNIT: MM
X.XX: ± 0.10		SIZE: A4	SHEET: 1F1
X.XXX: ± 0.05		CUSTOMER COPY	REV: A