

# DATA SHEET

**ER14.5/3/7**

**Planar ER cores and accessories**

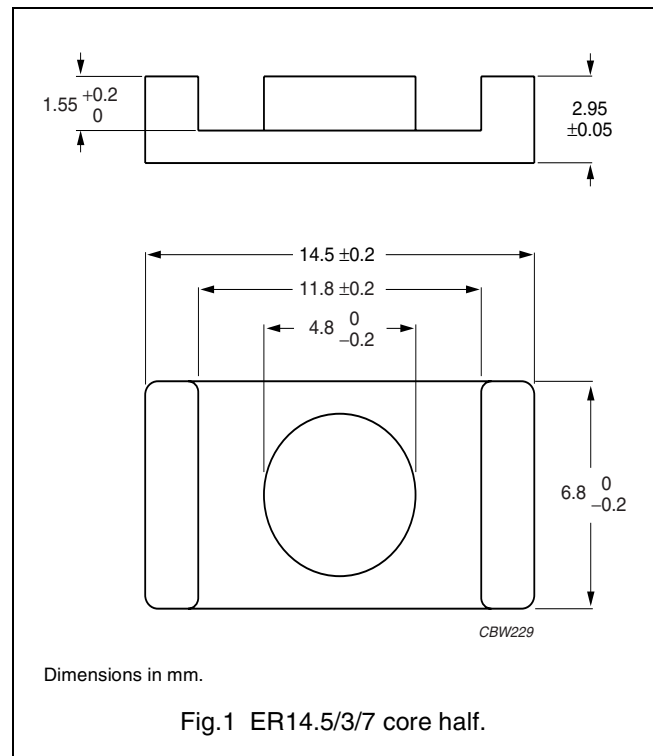
Supersedes data of September 2004

2008 Sep 01

**CORE SETS**

**Effective core parameters**

SYMBOL	PARAMETER	VALUE	UNIT
$\Sigma(l/A)$	core factor (C1)	1.08	mm <sup>-1</sup>
$V_e$	effective volume	333	mm <sup>3</sup>
$l_e$	effective length	19.0	mm
$A_e$	effective area	17.6	mm <sup>2</sup>
$A_{min}$	minimum area	17.3	mm <sup>2</sup>
m	mass of core half	≈ 0.9	g



**Core sets for general purpose transformers and power applications**

Clamping force for  $A_L$  measurements, 10 ± 5 N.

GRADE	$A_L$ (nH)	$\mu_e$	AIR GAP (μm)	TYPE NUMBER
3C92 <span style="background-color: black; color: white; padding: 0 2px;">des</span>	1250 ± 25%	≈ 1070	≈ 0	ER14.5/3/7-3C92-S
3C93 <span style="background-color: black; color: white; padding: 0 2px;">des</span>	1400 ± 25%	≈ 1200	≈ 0	ER14.5/3/7-3C93-S
3C94	100 ± 3%	≈ 86	≈ 250	ER14.5/3/7-3C94-A100-S
	160 ± 5%	≈ 137	≈ 150	ER14.5/3/7-3C94-A160-S
	250 ± 8%	≈ 215	≈ 90	ER14.5/3/7-3C94-A250-S
	1600 ± 25%	≈ 1370	≈ 0	ER14.5/3/7-3C94-S
3C95 <span style="background-color: black; color: white; padding: 0 2px;">des</span>	1850 ± 25%	≈ 1600	≈ 0	ER14.5/3/7-3C95-S
3C96 <span style="background-color: black; color: white; padding: 0 2px;">des</span>	1500 ± 25%	≈ 1290	≈ 0	ER14.5/3/7-3C96-S
3F3	100 ± 3%	≈ 86	≈ 250	ER14.5/3/7-3F3-A100-S
	160 ± 5%	≈ 137	≈ 150	ER14.5/3/7-3F3-A160-S
	250 ± 8%	≈ 215	≈ 90	ER14.5/3/7-3F3-A250-S
	1400 ± 25%	≈ 1200	≈ 0	ER14.5/3/7-3F3-S
3F35 <span style="background-color: black; color: white; padding: 0 2px;">des</span>	1150 ± 25%	≈ 990	≈ 0	ER14.5/3/7-3F35-S
3F4 <span style="background-color: black; color: white; padding: 0 2px;">des</span>	100 ± 3%	≈ 86	≈ 240	ER14.5/3/7-3F4-A100-S
	160 ± 5%	≈ 137	≈ 130	ER14.5/3/7-3F4-A160-S
	250 ± 8%	≈ 215	≈ 70	ER14.5/3/7-3F4-A250-S
	850 ± 25%	≈ 730	≈ 0	ER14.5/3/7-3F4-S
3F45 <span style="background-color: black; color: white; padding: 0 2px;">prot</span>	850 ± 25%	≈ 730	≈ 0	ER14.5/3/7-3F45-S

## Planar ER cores and accessories

ER14.5/3/7

## Core sets of high permeability grades

Clamping force for  $A_L$  measurements.

GRADE	$A_L$ (nH)	$\mu_e$	AIR GAP ( $\mu\text{m}$ )	TYPE NUMBER
3E6	7900 +40/-30%	$\approx 6800$	$\approx 0$	ER14.5/3/7-3E6-S

## Properties of core sets under power conditions

GRADE	B (mT) at	CORE LOSS (W) at				
	H = 250 A/m; f = 25 kHz; T = 100 °C	f = 100 kHz; B = 100 mT; T = 100 °C	f = 100 kHz; B = 200 mT; T = 25 °C	f = 100 kHz; B = 200 mT; T = 100 °C	f = 400 kHz; B = 50 mT; T = 100 °C	f = 500 kHz; B = 50 mT; T = 100 °C
3C92	$\geq 370$	$\leq 0.032$	–	$\leq 0.2$	–	–
3C93	$\geq 320$	$\leq 0.032^{(1)}$	–	$\leq 0.2^{(1)}$	–	–
3C94	$\geq 320$	$\leq 0.032$	–	$\leq 0.2$	–	–
3C95	$\geq 320$	–	$\leq 0.2$	$\leq 0.19$	–	–
3C96	$\geq 340$	$\leq 0.025$	–	$\leq 0.16$	$\leq 0.06$	$\leq 0.13$
3F3	$\geq 300$	$\leq 0.043$	–	–	$\leq 0.061$	–
3F35	$\geq 300$	–	–	–	$\leq 0.03$	$\leq 0.045$
3F4	$\geq 250$	–	–	–	–	–

1. Measured at 140 °C.

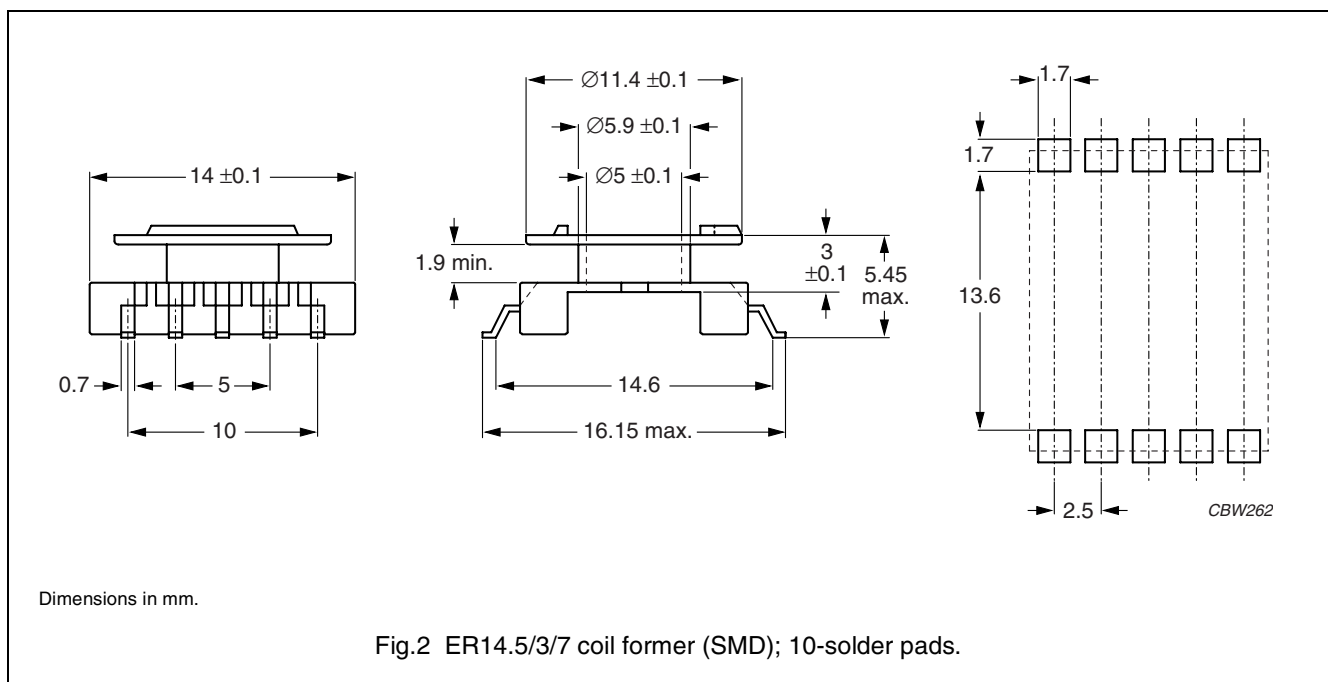
## Properties of core sets under power conditions (continued)

GRADE	B (mT) at	CORE LOSS (W) at			
	H = 250 A/m; f = 25 kHz; T = 100 °C	f = 500 kHz; B = 100 mT; T = 100 °C	f = 1 MHz; B = 30 mT; T = 100 °C	f = 1 MHz; B = 50 mT; T = 100 °C	f = 3 MHz; B = 10 mT; T = 100 °C
3F35	$\geq 300$	$\leq 0.35$	–	–	–
3F4	$\geq 250$	–	$\leq 0.1$	–	$\leq 0.16$
3F45	$\geq 250$	–	$\leq 0.077$	$\leq 0.29$	$\leq 0.13$

**COIL FORMERS**

**General data**

PARAMETER	SPECIFICATION
Coil former material	liquid crystal polymer (LCP), glass reinforced, flame retardant in accordance with "UL 94V-0"; UL file number E54705(M)
Pin material	copper-tin alloy (CuSn), tin (Sn) plated
Maximum operating temperature	155 °C, "IEC 60085", class F
Resistance to soldering heat	"IEC 60068-2-20", Part 2, Test Tb, method 1B: 350 °C, 3.5 s
Solderability	"IEC 60068-2-20", Part 2, Test Ta, method 1: 235 °C, 2 s



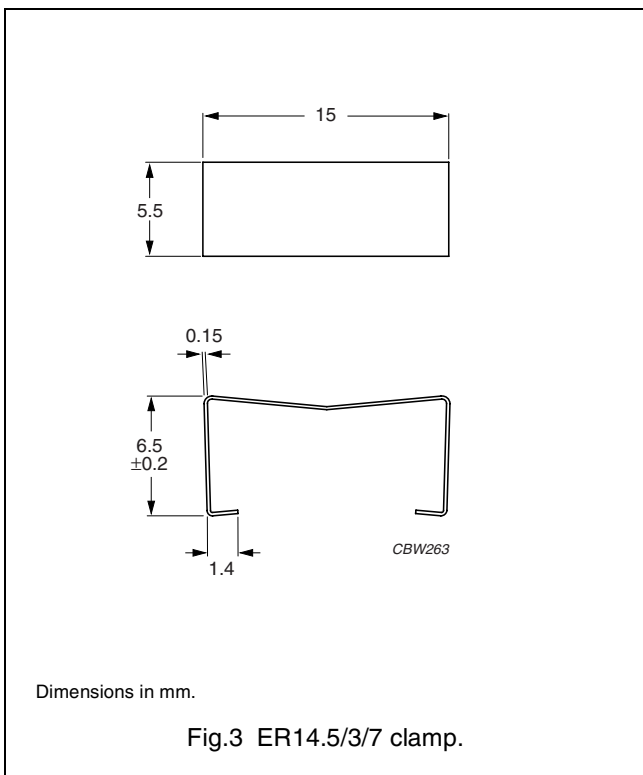
**Winding data and area product for ER14.5/3/7 coil former (SMD) with 10 solder pads**

NUMBER OF SECTIONS	WINDING AREA (mm <sup>2</sup> )	MINIMUM WINDING WIDTH (mm)	AVERAGE LENGTH OF TURN (mm)	AREA PRODUCT Ae x Aw (mm <sup>4</sup> )	TYPE NUMBER
1	5.1	1.9	27	89.8	CPVS-ER14.5-1S-10P-Z

**MOUNTING PARTS**

**General data and ordering information**

ITEM	REMARKS	FIGURE	TYPE NUMBER
Clamp	stainless steel (CrNi)	3	CLM-ER14.5






**DATA SHEET STATUS DEFINITIONS**

DATA SHEET STATUS	PRODUCT STATUS	DEFINITIONS
Preliminary specification	Development	This data sheet contains preliminary data. Ferroxcube reserves the right to make changes at any time without notice in order to improve design and supply the best possible product.
Product specification	Production	This data sheet contains final specifications. Ferroxcube reserves the right to make changes at any time without notice in order to improve design and supply the best possible product.

**DISCLAIMER**

**Life support applications** — These products are not designed for use in life support appliances, devices, or systems where malfunction of these products can reasonably be expected to result in personal injury. Ferroxcube customers using or selling these products for use in such applications do so at their own risk and agree to fully indemnify Ferroxcube for any damages resulting from such application.

**PRODUCT STATUS DEFINITIONS**

STATUS	INDICATION	DEFINITION
<b>Prototype</b>		These are products that have been made as development samples for the purposes of technical evaluation only. The data for these types is provisional and is subject to change.
<b>Design-in</b>		These products are recommended for new designs.
<b>Preferred</b>		These products are recommended for use in current designs and are available via our sales channels.
<b>Support</b>		These products are <b>not</b> recommended for new designs and may not be available through all of our sales channels. Customers are advised to check for availability.