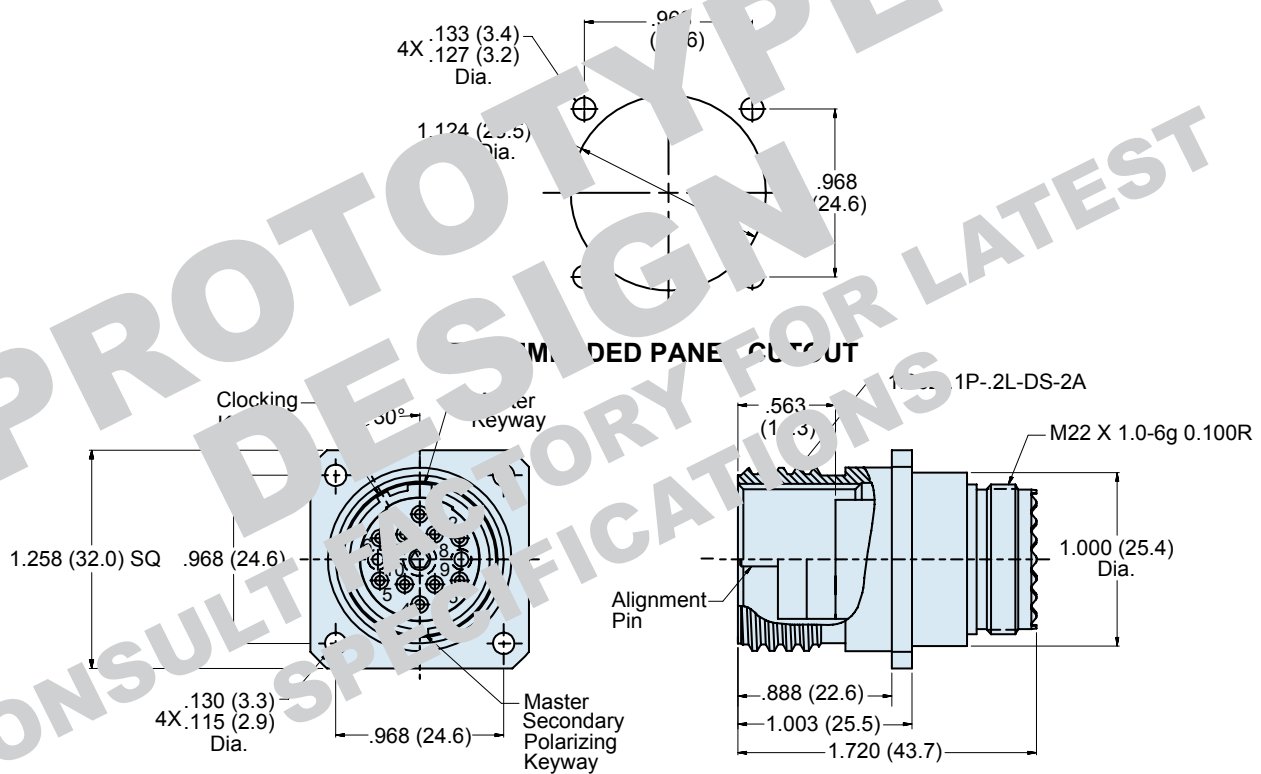
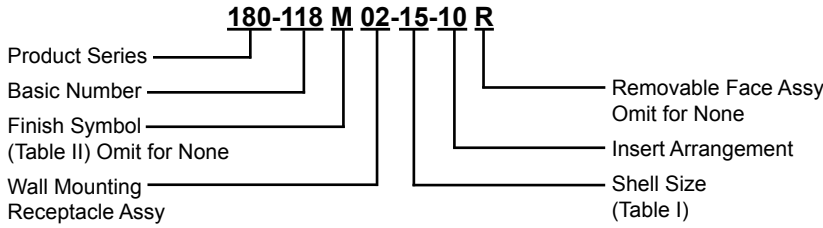


# 180-118 (02 Wall-Mounting) Next Generation (NGCON) Fiber Optic SS15 Receptacle Connector



Next Generation  
(NGCON)



## 02- WALL MOUNTING RECEPTACLE ASSY

### APPLICATION NOTES

- Assembly identified with Glenair, Inc and P/N, Space Permitting.
- Glenair 180-118 Connector Features:
  - Plug Barrel, Shell, Coupling Nut & Retainer- Al Alloy 6061- T6
  - Insert- Al Alloy/ Anodize, Black or High Grade Engineering Plastic
  - Seal, Gasket & O-Ring - Fluorosilicone/ Silicone Blend
  - Alignment Pins, Screw, Thrust Washer & Retaining Ring - Stainless Steel
  - Termini: Not Supplied
  - Operating Temperature Range: -55°C to +200°C.
- See AP 18-098 & -099 for Plug Assy.  
AP 18-100 & -101 for Receptacle Assy.
- Metric dimensions (mm) are in parentheses.

### TABLE II - FINISH

SYM	FINISH DESCRIPTION
C	Anodize, Black
M	Electroless Nickel Plate
Z1	Stainless Steel, Passivated
NF	Zinc-Nickel/Olive Drab Over Electroless Nickel