

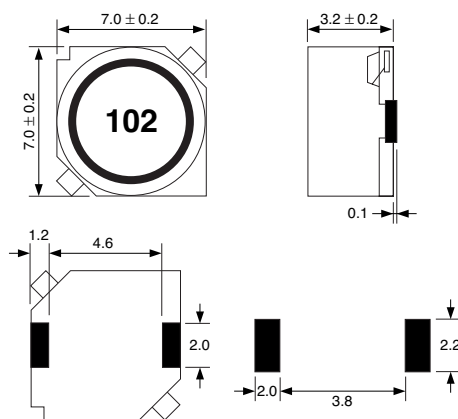
LPF7032 SERIES

SMD Shielded type

SHAPES & DIMENSIONS

RECOMMENDED PCB PATTERN

(Dimensions in mm)



ELECTRICAL CHARACTERISTICS

Ordering Code	Inductance (μH)	Inductance TOL.(%)	Test Freq. (KHz)	DC Resistance (Ω)±20%	Rated Current(A)	
					IDC1 (Max.)	IDC2 (Ref.)
LPF7032T-3R3M	3.3	± 20	100	0.016	2.10	2.90
LPF7032T-4R7M	4.7			0.021	1.80	2.70
LPF7032T-6R8M	6.8			0.028	1.60	2.40
LPF7032T-100M	10			0.045	1.40	2.10
LPF7032T-150M	15			0.066	1.10	1.62
LPF7032T-220M	22			0.100	0.96	1.45
LPF7032T-330M	33			0.137	0.78	1.17
LPF7032T-470M	47			0.194	0.67	0.96
LPF7032T-680M	68			0.255	0.59	0.88
LPF7032T-101M	100			0.380	0.45	0.71
LPF7032T-151M	150			0.601	0.37	0.58
LPF7032T-221M	220			0.906	0.29	0.48
LPF7032T-331M	330	1.214	0.22	0.40		
LPF7032T-471M	470	1.762	0.20	0.34		
LPF7032T-681M	680	2.825	0.16	0.24		
LPF7032T-102M	1000	4.292	0.13	0.19		

TEST EQUIPMENTS

- Inductance: Agilent 4284A LCR Meter (100KHz 0.5V)
- Rdc: HIOKI 3540 mΩ HiTESTER
- Bias Current: Agilent 4284A + Agilent 42841A
- IDC1(The saturation current): $\Delta L \leq 10\%$ at rated current
- IDC2(The temperature rise): $\Delta T = 20^\circ\text{C}$ at rated current

OPERATING TEMPERATURE RANGE

-20 ~ +85°C (Including self-generated heat)

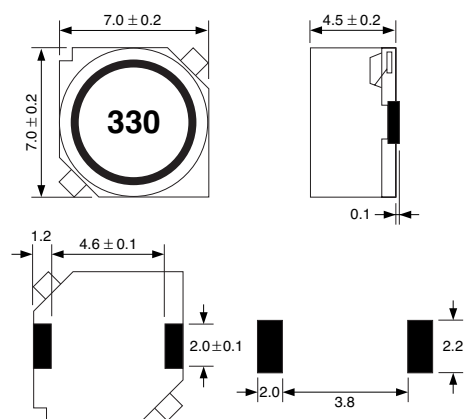
LPF7045 SERIES

SMD Shielded type

SHAPES & DIMENSIONS

RECOMMENDED PCB PATTERN

(Dimensions in mm)



ELECTRICAL CHARACTERISTICS

Ordering Code	Inductance (μH)	Inductance TOL.(%)	Test Freq. (KHz)	DC Resistance (Ω)±20%	Rated Current(A)	
					IDC1 (Max.)	IDC2 (Ref.)
LPF7045T-1R2M	1.2	± 20	100	0.0105	5.00	4.20
LPF7045T-2R2M	2.2			0.0190	3.00	3.40
LPF7045T-3R3M	3.3			0.0220	2.50	3.20
LPF7045T-3R9M	3.9			0.0250	2.40	3.00
LPF7045T-4R7M	4.7			0.0280	2.30	2.80
LPF7045T-6R8M	6.8			0.0390	1.90	2.04
LPF7045T-100M	10			0.0400	1.80	1.81
LPF7045T-150M	15			0.0560	1.50	1.50
LPF7045T-220M	22			0.0700	1.30	1.30
LPF7045T-330M	33			0.1100	1.10	1.11
LPF7045T-470M	47			0.1700	0.90	0.93
LPF7045T-680M	68			0.2800	0.75	0.76
LPF7045T-101M	100	0.3500	0.60	0.61		
LPF7045T-151M	150	0.4800	0.50	0.54		
LPF7045T-221M	220	0.7500	0.40	0.43		
LPF7045T-331M	330	1.1000	0.35	0.37		
LPF7045T-681M	680	2.1000	0.23	0.23		

TEST EQUIPMENTS

- Inductance: Agilent 4284A LCR Meter (100KHz 0.5V)
- Rdc: HIOKI 3540 mΩ HiTESTER
- Bias Current: Agilent 4284A + Agilent 42841A
- IDC1(The saturation current): $\Delta L \leq 10\%$ at rated current
- IDC2(The temperature rise): $\Delta T = 20^\circ\text{C}$ at rated current

OPERATING TEMPERATURE RANGE

-20 ~ +85°C (Including self-generated heat)