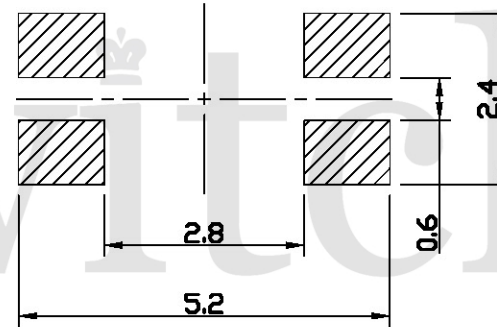
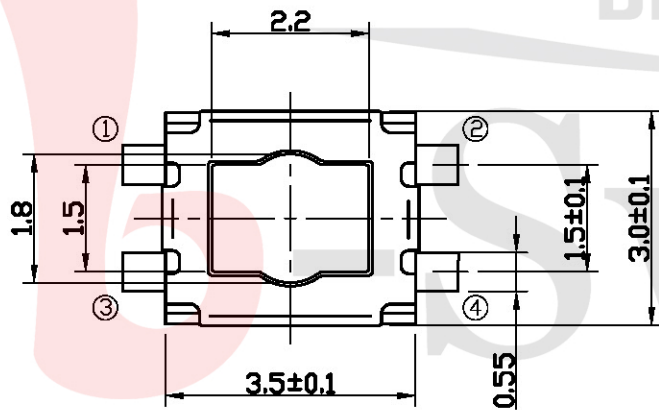


GT-TC034X-HXXX-LX

品赞科技



P.C.B LAND DIMENSION

G-SWITCH

Operating Force

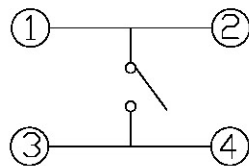
- A=160gf
- B=250gf
- C=100gf
- D=350gf
- E=320gf
- F=400gf

Switch Height (mm)

- H018=1.8mm
- H025=2.5mm

Switch lifetime (Force)

L1=100,000 Cycles



CIRCUIT DIAGRAM



G-Switch Electronic (HongKong) CO.,Ltd.

Unless otherwise specified, Tolerance:
 X. ±0.30
 X.x ±0.20
 X.xx ±0.15
 X.xxx ±0.10
 Angles ±3°

DESIGN 陈锦枫 DATE 2021.03.08
 CHECKED DATE
 APPROVED DATE
<http://www.dg-switch.com>
 TEL:0769-82388879

Molde code:
 GT-TC034X-HXXX-LX
 REV.: X1 SCALE: 4:1 UNIT: mm
 SIZE: A4 SHEET: 1/1