

Data sheet | Item number: 855-5005/750-000

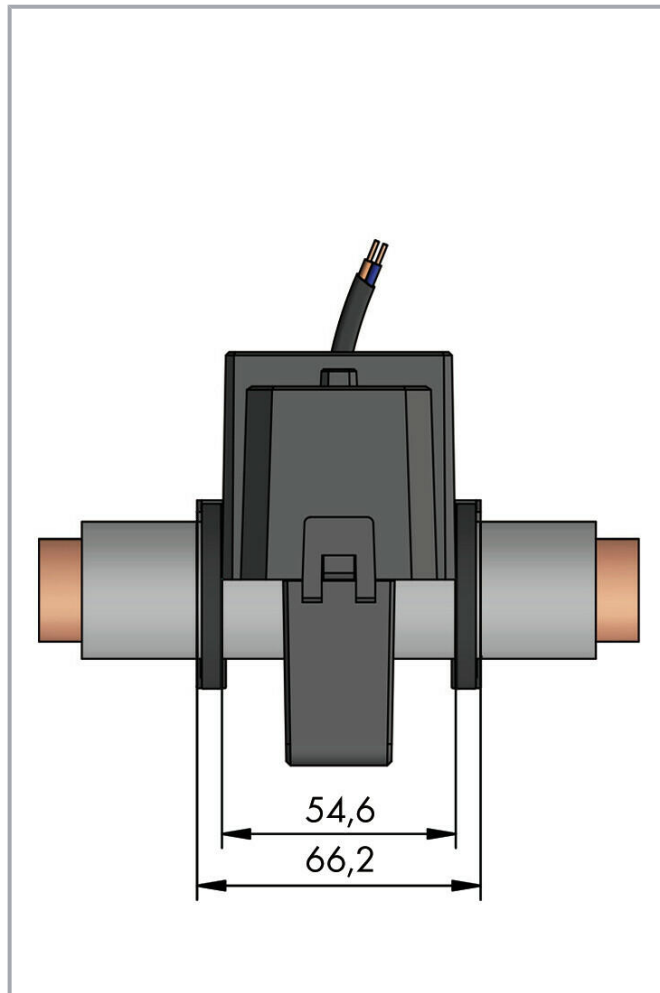
Split-core current transformer; Primary rated current 750 A; Secondary rated current: 5 A; Rated power: 0.5 VA; Accuracy class: 0.5



[www.wago.com/855-5005/750-000](http://www.wago.com/855-5005/750-000)



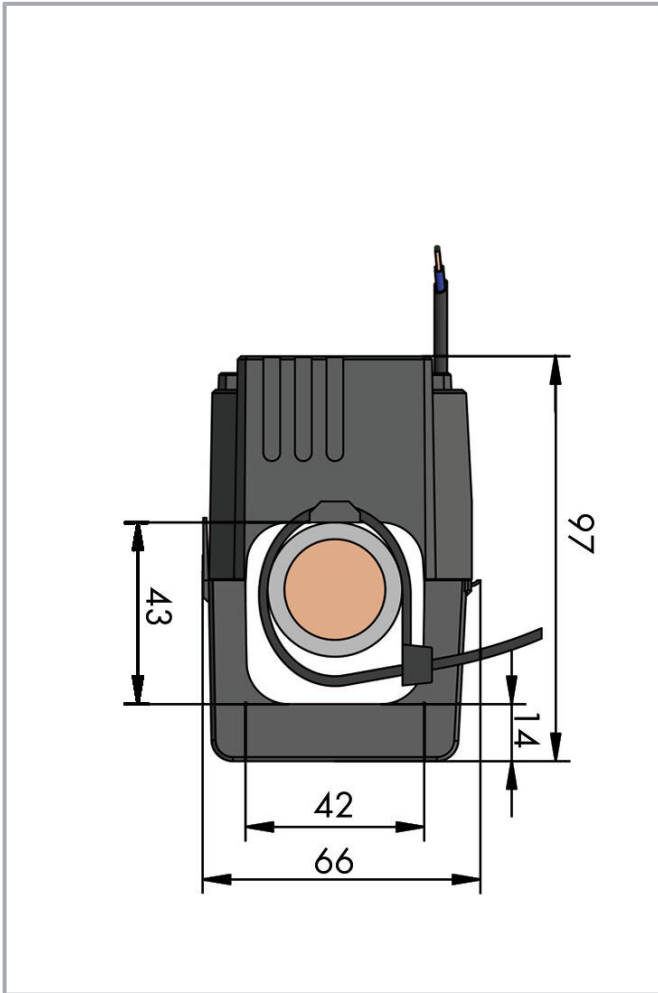
 Picture differs from the item.



Subject to changes. Please also observe the further product documentation!

WAGO Kontakttechnik GmbH & Co. KG  
Hansastr. 27  
32423 Minden  
Phone: +49571 887-0 | Fax: +49571 887-169  
Email: [info.de@wago.com](mailto:info.de@wago.com) | Web: [www.wago.com](http://www.wago.com)

Do you have any questions about our products?  
We are always happy to take your call at +49 (571) 887-44222.



## Item description

### Short description:

WAGO's compact split-core current transformers are ideal for retrofitting existing systems. They are perfect for applications in which the current path must not be disrupted.

The transformer's accuracy permits extremely precise current measurements. The split-core current transformers are capable of supplying the specified rated power at the end of the secondary cable. All transformers are supplied with color-coded cables. Two UV-resistant cable ties are also included for secure and easy mounting.

### Features:

- Current ratios from 750 A (primary side) and 5 A (secondary side)
- No measuring cable interruption
- Ideal for use in very confined spaces

Subject to changes. Please also observe the further product documentation!



- Rapid mounting
- For use around insulated cables up to 42 mm diameter
- Compact and hinged
- Color-coded connecting cable 3 m

## Data

### Technical data

Accuracy class	0.5
Primary rated current	750 A
Rated continuous thermal current $I_{cth}$	100 %
Rated short-time thermal current $I_{th}$	$60 \times I_N / 1 \text{ s}$
Rated surge current $I_{dyn}$	$2.5 \times I_{th}$
Rated frequency	50 ... 60 Hz
Secondary rated current	5 A
Rated power $S_r$	0.5 VA

### Safety and protection

Highest voltage for equipment $U_m$	AC 720 V <sub>rms</sub>
Protection type	IP20
Test voltage	AC 3 kV; 50 Hz; 1 min

### Connection data

Feedthrough for measurement conductor	Ø 42 mm
Cable type	2 x 1.5 mm <sup>2</sup> ; fine-stranded
Color code	black = S1; red = S2

### Physical data

Cable length	3 m
--------------	-----

### Mechanical data

Mounting type	Split-core current transformer (suspended)
---------------	--

### Material data

Flammability class per UL94	V2
-----------------------------	----

Subject to changes. Please also observe the further product documentation!



Weight	650 g
--------	-------

### Environmental requirements

Surrounding air temperature (operation)	-10 ... 55 °C
Surrounding air temperature (storage)	-20 ... 70 °C
Relative humidity	5 ... 85 % (without condensation)
Operating altitude (max.)	2000 m

### Standards and specifications

Conformity marking	CE
Standards/Specifications	EN 61869-1 EN 61869-2

### Commercial data

PU (SPU)	1 Stück
Packaging type	box
Country of origin	NL
GTIN	4055143950824
Customs tariff number	85043180888

### Downloads

#### Documentation

##### Bid Text

docx - Datei	docx	Download
	15.8 kB	
X81 - Datei	xml	Download
	5.5 kB	

#### Instruction Leaflet

Kabelumbau-Stromwandler	V 1.1.0 2020. 1. 15.	pdf	Download
		832.5 kB	

### Engineering-Software

#### Software for Interface-Products

WAGO Interface Configuration Software G2 FULL	1.0.7.9 2021. 4. 8.	exe	Download
		114.0 MB	

Subject to changes. Please also observe the further product documentation!



The full setup, in addition to the WAGO Interface Configuration Software G2, includes the installation for the Microsoft .NET Framework.

---

WAGO Interface Configuration Software G2 SMALL	1.0.7.9	exe	Download
The full setup only includes the WAGO Interface Configuration Software G2.	2021. 4. 8.	30.0 MB	

---

## Environmental Product Compliance

### Compliance Search

---

Environmental Product Compliance 855-5005/750-000	URL	Download
Split-core current transformer; Primary rated current 750 A; Secondary rated current: 5 A; Rated power: 0.5 VA; Accuracy class: 0.5		

---

## Installation Notes

### Installation



Simple termination!



Quick and easy mounting!



Subject to changes. Please also observe the further product documentation!