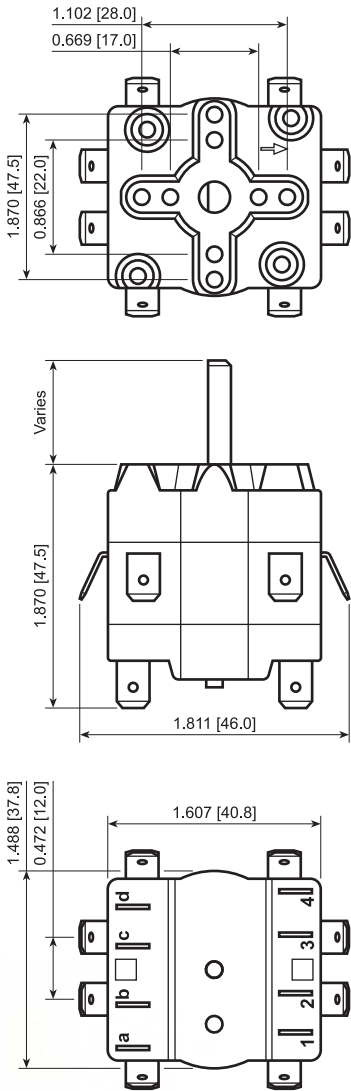
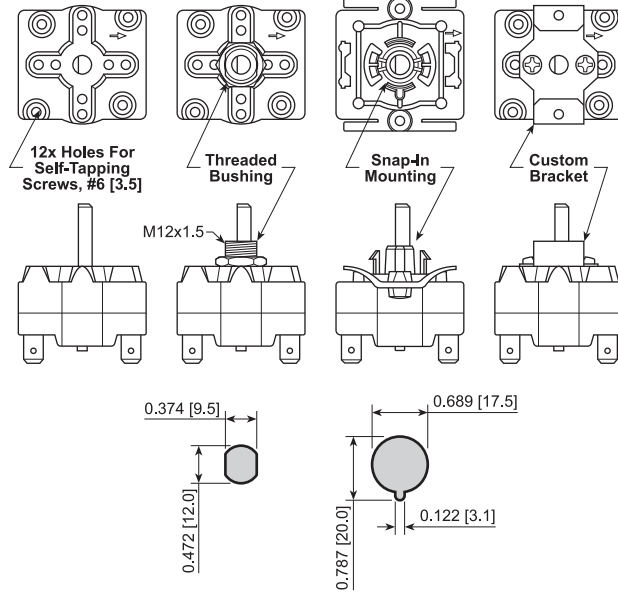


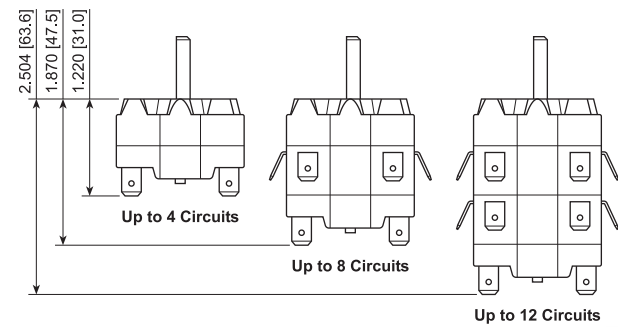
4RH Series



Mounting Options



Number of Circuits



FEATURES:

- High Current Capacity
- Up To 12 Circuits
- Multiple Terminal & Actuator Options
- Housing Made of Rugged Glass Reinforced Nylon

SPECIFICATIONS:

- RATING:** 16A 250VAC [cULus]
 12A 250VAC [cULus]
 25A 250VAC [cULus] (Upon Request)
 1HP 120VAC [cULus]
 2HP 250VAC [cULus]
 16(4)A 250VAC [ENEC]
 12(3)A 250VAC [ENEC]
 10(2)A 400VAC [ENEC]
 8(2)A 400VAC [ENEC]
 16(8)A 250VAC [ENEC] (Upon Request)
 10(4)A 400VAC [ENEC] (Upon Request)

ELECTRICAL LIFE: 300,000 Cycles
TEMPERATURE RATING: -20°C to 105°C

MATERIALS:

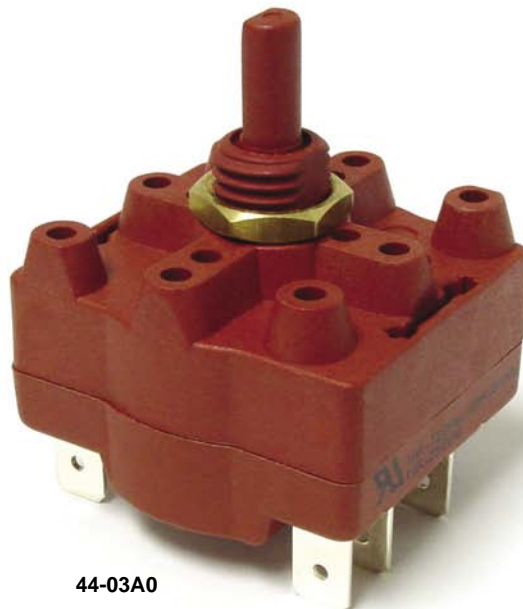
- Body:** Polyamide 6/6, UL94 V-2
ACTUATOR: Polyamide 6/6, UL94 V-2
CONTACTS: Silver Alloy
MOBILE CONTACTS: Silver Alloy
TERMINALS: Silver Plated Brass
SPRINGS: Piano Wire
 Copper
HARDWARE: Brass



47-0600



44-03A



44-03A0

EXAMPLE PART NUMBERS:

- 48-03111 1P3T
 45° Index, 1: None, 2: D2, 3: D3, 4: D4

SPECIFICATIONS SUBJECT TO CHANGE WITHOUT NOTICE