

2.54mm

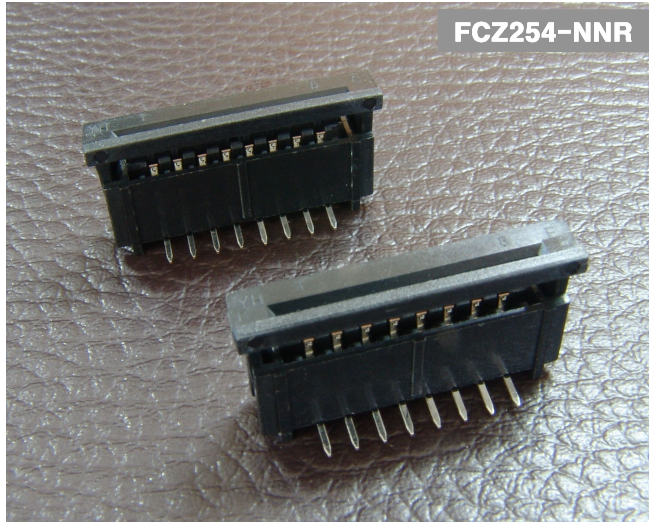
(0.100") PITCH CONNECTOR

FPC/FFC Connectors

Housing

ZF Type

Dip Type



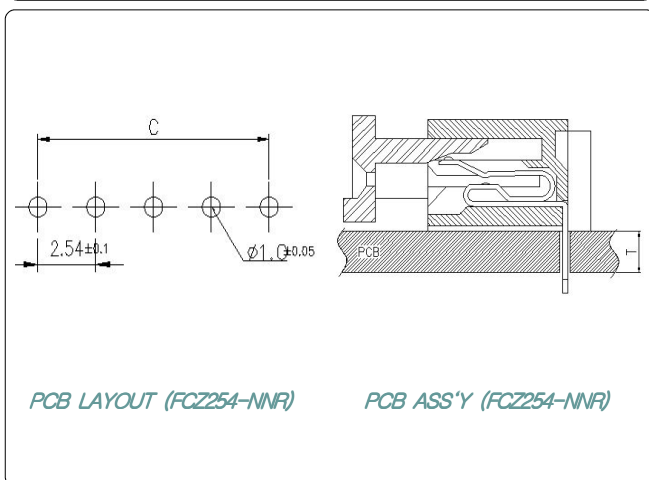
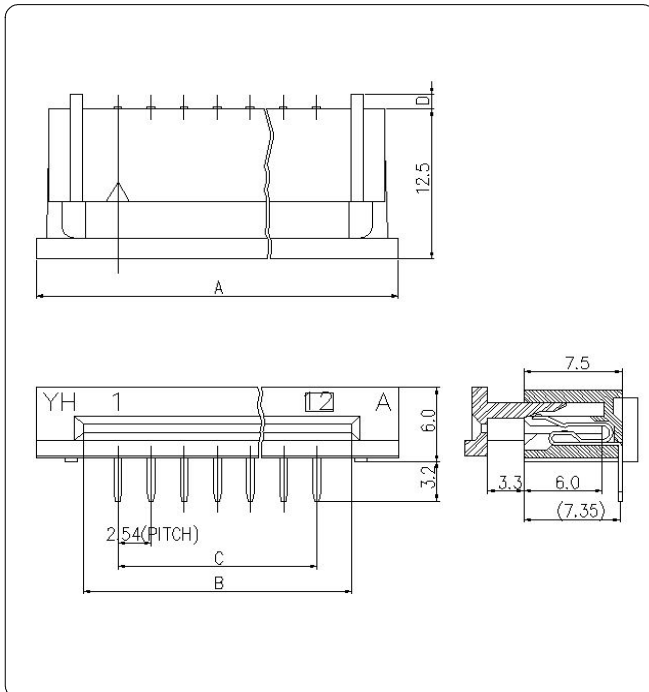
FCZ254-NNR

Material

I/NO	DESCRIPTION	MATERIAL
1	HOUSING	P.B.T(GF30%), UL94V-0
2	ACTUATOR	P.B.T(GF30%), UL94V-0
3	TERMINAL	Phosphor Bronze, Tin-plated

Available Pin

PARTS NO.	A	B	C	D
FCZ254-08R	30.34	23.12	17.78	0.7(1.2)
FCZ254-09R	32.88	25.66	20.32	0.7(1.2)
FCZ254-10R	35.42	28.20	22.86	0.7(1.2)
FCZ254-11R	37.96	30.74	25.40	0.7(1.2)
FCZ254-12R	40.50	33.28	27.94	0.7(1.2)
FCZ254-13R	43.04	35.82	30.48	0.7(1.2)
FCZ254-14R	45.58	38.36	33.02	1.2(0.7)
FCZ254-16R	50.66	43.44	38.10	0.7(1.2)
FCZ254-17R	53.20	45.98	40.64	0.7(1.2)



Specification

ITEM	SPEC
Voltage Rating	AC/DC 250V
Current Rating	AC/DC 1A
Operating Temperature	-25°C ~ +85°C
Contact Resistance	30mΩ MAX
Withstanding Voltage	AC1000V/1min
Insulation Resistance	1000MΩ MIN
Applicable Wire	-
Applicable P.C.B	1.2 ~ 1.6mm
Applicable FPC/FFC	0.30 ± 0.03mm
Solder Height	-
Crimp Tensile Strength	-
UL FILE NO	E108706