

Product Facts

- **Standard models combine AC (400 Hz.) voltage-sensing circuit with 2A DPDT output relay.**
- **Various applications**
 - **Motor protection**
 - **Ground support equipment**
 - **Low or high line alarms**
 - **Computer protection**
- **Many customizing options**
 - **Solid state output**
 - **Two-stage sensing (voltage band)**
 - **Up to 10A relay output**
 - **3 phase version**
 - **Controlled dropout differential**
 - **Operate with auxiliary control voltage**
 - **Under and over voltage trip**
 - **Time delay on trip point**
 - **Tighter accuracy**
 - **Lower trip points**
 - **Different package, mounting, header**
 - **60 Hz. versions**



The CII 1350 series AC voltage sensor energizes a relay when the monitored power line voltage reaches a predetermined level. This rugged unit with reliable solid-state design provides precise, repeatable operation over a

wide temperature range. The input voltage is fed into a temperature compensated comparator circuit. When the input reaches the preset level, transistor amplifiers switch the output relay. This output may control any external devices,

process or warning system to protect expensive equipment. The unit is potted and hermetically sealed and is designed to meet the environmental requirements of MIL-R-83726.

Electrical Specifications

Pull-In Voltage: Any voltage level between 50 to 150Vac, 400 Hz., in 1.0 volt increments.

Drop-Out Voltage: 0 to 3.0V max, (1.5V nom.) below pull-in voltage.

Current Drain: 100mA max @ 25°C.

Accuracy: ±2.5% of set point over temperature range.

Max. Allowable Applied Voltage: 150% of specified pull-in voltage.

Auxiliary Voltage: None required.

Operate and Release Times: 50ms max. over the temperature range.

Contact Arrangement: 2 Form C (DPDT).

Contact Rating:

2 amps resistive @30Vdc
300mA resistive @ 115 Vrms, 400 Hz.

Environmental Specifications

Temperature Range: -55°C to +125°C.

Vibration: 20G's, 10 - 2,000 Hz.

Shock: 50 G's, 11 ± 1ms duration.

Insulation Resistance: 1,000 megohms, min., at 500Vdc, all terminals to case.

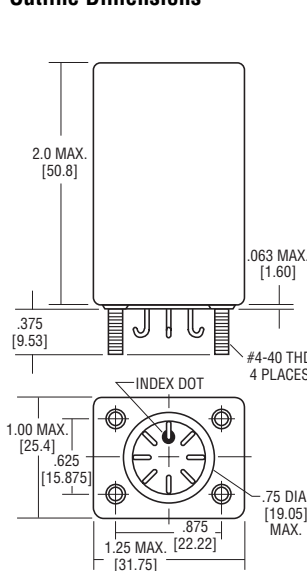
Dielectric Strength: 1,000Vrms, 60 Hz., at sea level, all terminals to case.

Sealing: Hermetic, 1.3 in. (33.0mm) of mercury.

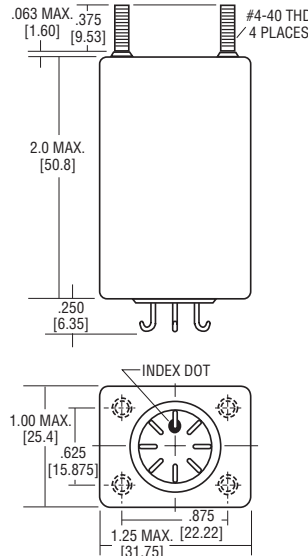
Life: 100,000 operations, min.

Weight: 3.5 oz (99.2g) max.

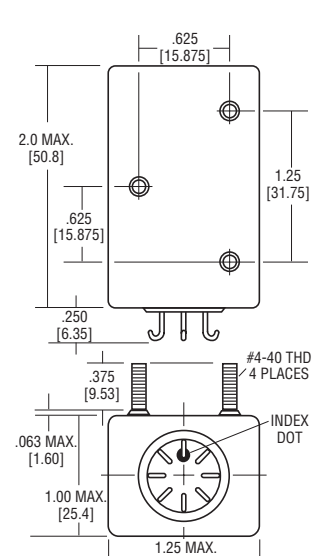
Outline Dimensions



Mounting Option A

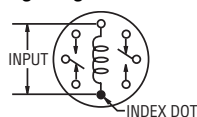


Mounting Option B



Mounting Option C

Wiring Diagram



Part Numbering System

Typical Part Number	1350	- 2	A	- 100.0
Series:	1350 = AC Voltage Level Sensor, Relay Output			
Contact Form:	2 = 2 Form C (DPDT)			
Mounting (see outline dimension drawings):	A = Studs on bottom B = Studs on top C = Studs on side			
Pull-In Voltage:	Specify any level between 50 and 150Vac in 1.0 volt increments			

© 2006 by Tyco Electronics Corporation. All Rights Reserved.

CII and TYCO are trademarks.

Other products and company names mentioned herein may be trademarks of their respective owners.