

PLEASE CHECK WWW.MOLEX.COM FOR LATEST PART INFORMATION

Part Number: [0022282326](#)
Status: **Active**
Description: 2.54mm (.100") Pitch KK® Header, Breakaway, Right Angle, with Plastic Polarizing Peg, 32 Circuits, 0.76µm (30µ") Gold (Au) Selective Plating, with Kinked PC Tails

Documents:

[3D Model](#) [Product Specification PS-10-07 \(PDF\)](#)
[Drawing \(PDF\)](#) [RoHS Certificate of Compliance \(PDF\)](#)
[Packaging Specification \(PDF\)](#)

Agency Certification

CSA LR19980

General

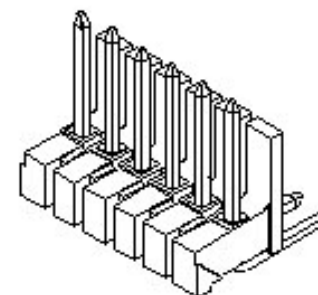
Product Family PCB Headers
 Series [42226](#)
 Application Wire-to-Board
 Product Name KK®

Physical

Breakaway Yes
 Circuits (Loaded) 32
 Circuits (maximum) 32
 Color - Resin Black
 Durability (mating cycles max) 100
 Flammability 94V-0
 Glow-Wire Compliant No
 Lock to Mating Part None
 Material - Metal Brass
 Material - Plating Mating Gold
 Material - Plating Termination Tin
 Material - Resin Nylon
 Number of Rows 1
 Orientation Right Angle
 PC Tail Length (in) 0.135 In
 PC Tail Length (mm) 3.43 mm
 PCB Locator No
 PCB Retention Yes
 PCB Thickness Recommended (in) 0.062 In
 PCB Thickness Recommended (mm) 1.60 mm
 Packaging Type Bag
 Pitch - Mating Interface (in) 0.100 In
 Pitch - Mating Interface (mm) 2.54 mm
 Plating min: Mating (µin) 30
 Plating min: Mating (µm) 0.75
 Plating min: Termination (µin) 100
 Plating min: Termination (µm) 2.5
 Polarized to Mating Part No
 Polarized to PCB No
 Shrouded No
 Stackable No
 Temperature Range - Operating 0°C to +75°C
 Termination Interface: Style Through Hole

Electrical

Current - Maximum per Contact 4A



Series

image - Reference only

EU RoHS

ELV and RoHS Compliant
REACH SVHC Contains SVHC: No
Halogen-Free Status
Not Reviewed

China RoHS



Need more information on product environmental compliance?

Email productcompliance@molex.com
 For a multiple part number RoHS Certificate of Compliance, [click here](#)

Please visit the [Contact Us](#) section for any non-product compliance questions.

Search Parts in this Series

[42226Series](#)

Mates With

[2695](#) , [6471](#) , [7880](#) , [4455](#) , [7720](#)

Voltage - Maximum 250V

Solder Process Data

Duration at Max. Process Temperature (seconds) 5
Lead-free Process Capability Wave Capable (TH only)
Max. Cycles at Max. Process Temperature 1
Process Temperature max. C 235

Material Info

Old Part Number 42226-0207

Reference - Drawing Numbers

Product Specification PS-10-07
Sales Drawing SD-42226-001

This document was generated on 04/19/2010

PLEASE CHECK WWW.MOLEX.COM FOR LATEST PART INFORMATION

| CKTS | DIM A | DIM B |
|------|-------------|-------------|
| 2 | .100/2.54 | .200/5.08 |
| 3 | .200/5.08 | .300/7.62 |
| 4 | .300/7.62 | .400/10.16 |
| 5 | .400/10.16 | .500/12.70 |
| 6 | .500/12.70 | .600/15.24 |
| 7 | .600/15.24 | .700/17.78 |
| 8 | .700/17.78 | .800/20.32 |
| 9 | .800/20.32 | .900/22.86 |
| 10 | .900/22.86 | 1.000/25.40 |
| 11 | 1.000/25.40 | 1.100/27.94 |
| 12 | 1.100/27.94 | 1.200/30.48 |
| 13 | 1.200/30.48 | 1.300/33.02 |
| 14 | 1.300/33.02 | 1.400/35.56 |
| 15 | 1.400/35.56 | 1.500/38.10 |
| 16 | 1.500/38.10 | 1.600/40.64 |
| 17 | 1.600/40.64 | 1.700/43.18 |
| 18 | 1.700/43.18 | 1.800/45.72 |
| 19 | 1.800/45.72 | 1.900/48.26 |
| 20 | 1.900/48.26 | 2.000/50.80 |
| 21 | 2.000/50.80 | 2.100/53.34 |
| 22 | 2.100/53.34 | 2.200/55.88 |
| 23 | 2.200/55.88 | 2.300/58.42 |
| 24 | 2.300/58.42 | 2.400/60.96 |
| 25 | 2.400/60.96 | 2.500/63.50 |
| 26 | 2.500/63.50 | 2.600/66.04 |
| 27 | 2.600/66.04 | 2.700/68.58 |
| 28 | 2.700/68.58 | 2.800/71.12 |
| 29 | 2.800/71.12 | 2.900/73.66 |
| 30 | 2.900/73.66 | 3.000/76.20 |
| 31 | 3.000/76.20 | 3.100/78.74 |
| 32 | 3.100/78.74 | 3.200/81.28 |
| 33 | 3.200/81.28 | 3.300/83.82 |
| 34 | 3.300/83.82 | 3.400/86.36 |
| 35 | 3.400/86.36 | 3.500/88.90 |
| 36 | 3.500/88.90 | 3.600/91.44 |



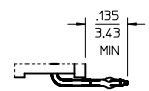
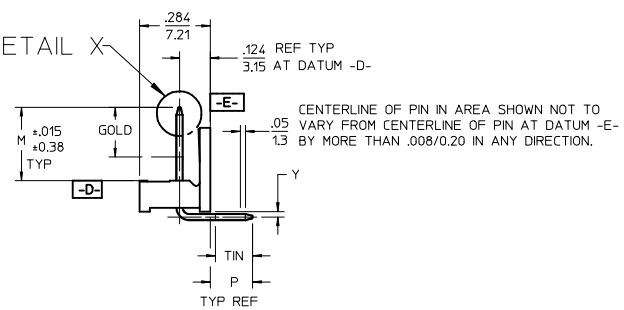
DETAIL Y
SCALE 5:1
SEE NOTE 10



DETAIL X
SCALE 5:1
SEE NOTE 10

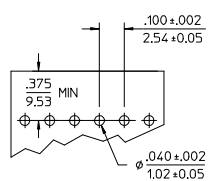


DETAIL Z
SCALE 5:1

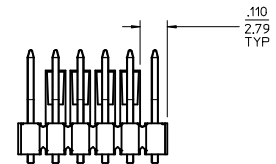


KINKED PIN DETAIL
SEE NOTE 5

- NOTES:
- MATERIAL: GLASS FILLED NYLON, 94V-0, COLOR: BLACK
 - FINISH:
 - (154) *OVERALL TIN: .000100/0.00254 MIN, OVER .000050/0.00127 MIN NICKEL.
 - (208) SELECT GOLD: .000015/0.00038 MIN, *SELECT TIN: .000100/0.00254 MIN, OVERALL NICKEL UNDERPLATE: .000050/0.00127 MIN.
 - (228) SELECT GOLD: .000030/0.00076 MIN, *SELECT TIN: .000100/0.00254 MIN, OVERALL NICKEL UNDERPLATE: .000050/0.00127 MIN.
 - *THE PRIMARY SHIPPING CARTON WILL BE LABELED "COMPLIANT TO RoHS DIRECTIVE 2002/95/EC AND ELV ANNEX II OF DIRECTIVE 2000/53/EC". CARTONS WITHOUT THIS LABEL MAY CONTAIN PRODUCT WITH TIN-LEAD PLATING
 - PRODUCT SPECIFICATION: PS-10-07.
 - PACKAGING INFORMATION: SEE TABLES
 - KINK PIN SPECIFICATION: SEE SMES-42003
 - HEADERS ARE NOT STACKABLE ON .100/2.54 CENTERS.
 - SOLDERABILITY PER SMES-152.
 - PIN PUSH OUT FORCE: 3 LBS. MIN.
 - PARTS CONFORM TO CLASS 'B' REQUIREMENTS OF COSMETIC SPECIFICATION PS-45499-002.
 - PIN TIP DIMENSIONS ARE SHOWN FOR REFERENCE ONLY. DIMENSIONS APPLY PRIOR TO PLATING OR ASSEMBLY.



RECOMMENDED PC BOARD LAYOUT



REMOVED POLARIZING WALL OPTION

| CORRECT PIN TIPS EC NO: UCP2009-2519 DRWN: TRBENES 2009/04/20 CHK: HKIPPER 2009/04/23 APPR: F SMITH 2009/04/23 | QUALITY SYMBOLS | GENERAL TOLERANCES (UNLESS SPECIFIED) | DIMENSION STYLE IN/MM | SCALE 2:1 | DESIGN UNITS INCH | THIRD ANGLE PROJECTION | | | | | | | | | | | | | | | | | | | | | | | | | | | |
|---|---|---|-----------------------|---------------------------|-------------------|------------------------|-------|-------|----------|-------|--------|----------|--------|--------|---------|--------|-------|--|----------|------|-----------|------------|------------|------|---------|------------|-------------|------|----------|------------|-------|--|--|
| | $\nabla=0$ $\nabla=0$ | <table border="1"> <thead> <tr> <th></th> <th>mm</th> <th>INCH</th> </tr> </thead> <tbody> <tr> <td>4 PLACES</td> <td>± ---</td> <td>± ---</td> </tr> <tr> <td>3 PLACES</td> <td>± ---</td> <td>± .010</td> </tr> <tr> <td>2 PLACES</td> <td>± 0.25</td> <td>± .014</td> </tr> <tr> <td>1 PLACE</td> <td>± 0.36</td> <td>± ---</td> </tr> </tbody> </table> | | mm | INCH | 4 PLACES | ± --- | ± --- | 3 PLACES | ± --- | ± .010 | 2 PLACES | ± 0.25 | ± .014 | 1 PLACE | ± 0.36 | ± --- | <table border="1"> <thead> <tr> <th>DRAWN BY</th> <th>DATE</th> </tr> </thead> <tbody> <tr> <td>JSCHAFFER</td> <td>2003/09/23</td> </tr> <tr> <th>CHECKED BY</th> <th>DATE</th> </tr> <tr> <td>KSAMIEC</td> <td>2003/09/23</td> </tr> <tr> <th>APPROVED BY</th> <th>DATE</th> </tr> <tr> <td>MARGULIS</td> <td>2003/09/23</td> </tr> </tbody> </table> | DRAWN BY | DATE | JSCHAFFER | 2003/09/23 | CHECKED BY | DATE | KSAMIEC | 2003/09/23 | APPROVED BY | DATE | MARGULIS | 2003/09/23 | TITLE | .100 POLARIZING BREAKAWAY HEADER ASSY | |
| | | mm | INCH | | | | | | | | | | | | | | | | | | | | | | | | | | | | | | |
| | 4 PLACES | ± --- | ± --- | | | | | | | | | | | | | | | | | | | | | | | | | | | | | | |
| 3 PLACES | ± --- | ± .010 | | | | | | | | | | | | | | | | | | | | | | | | | | | | | | | |
| 2 PLACES | ± 0.25 | ± .014 | | | | | | | | | | | | | | | | | | | | | | | | | | | | | | | |
| 1 PLACE | ± 0.36 | ± --- | | | | | | | | | | | | | | | | | | | | | | | | | | | | | | | |
| DRAWN BY | DATE | | | | | | | | | | | | | | | | | | | | | | | | | | | | | | | | |
| JSCHAFFER | 2003/09/23 | | | | | | | | | | | | | | | | | | | | | | | | | | | | | | | | |
| CHECKED BY | DATE | | | | | | | | | | | | | | | | | | | | | | | | | | | | | | | | |
| KSAMIEC | 2003/09/23 | | | | | | | | | | | | | | | | | | | | | | | | | | | | | | | | |
| APPROVED BY | DATE | | | | | | | | | | | | | | | | | | | | | | | | | | | | | | | | |
| MARGULIS | 2003/09/23 | | | | | | | | | | | | | | | | | | | | | | | | | | | | | | | | |
| DRAFT WHERE APPLICABLE MUST REMAIN WITHIN DIMENSIONS | SEE CHART | MATERIAL NO. | DOCUMENT NO. | MOLEX INCORPORATED | | | | | | | | | | | | | | | | | | | | | | | | | | | | | |
| SIZE B | THIS DRAWING CONTAINS INFORMATION THAT IS PROPRIETARY TO MOLEX INCORPORATED AND SHOULD NOT BE USED WITHOUT WRITTEN PERMISSION | | SD-42226-001 | SHEET NO. 1 OF 7 | | | | | | | | | | | | | | | | | | | | | | | | | | | | | |

| A-42226-0002/0036 | | | | | | A-42226-0037/0071 | | | | | |
|--------------------|-----------------|-----------------|------|-----------------|--------------|--------------------|-----------------|-----------------|------|-----------------|--------------|
| HEADER NUMBER: | | 41410 | | | | HEADER NUMBER: | | 41410 | | | |
| PIN NUMBER: | | 42663-CCA154 | | | | PIN NUMBER: | | 42663-CCB208 | | | |
| PIN LENGTH: L | | .670/17.02 | | | | PIN LENGTH: L | | .670/17.02 | | | |
| MATING LENGTH: M | | .295/7.49 | | | | MATING LENGTH: M | | .295/7.49 | | | |
| GOLD POINT: G | | N/A | | | | GOLD POINT: G | | .140/3.56 | | | |
| PC TAIL LENGTH: P | | .120/3.05 | | | | PC TAIL LENGTH: P | | .120/3.05 | | | |
| TIN: T | | OVERALL | | | | TIN: T | | .135/3.43 | | | |
| DIMENSION Y | | .022/0.56 | | | | DIMENSION Y | | .022/0.56 | | | |
| CKTS: | | 2-36 | | | | CKTS: | | 2-36 | | | |
| KINKS: | | NO | | | | KINKS: | | NO | | | |
| REMOVED BACKWALLS: | | NO | | | | REMOVED BACKWALLS: | | NO | | | |
| VOIDED CKTS: | | NONE | | | | VOIDED CKTS: | | NONE | | | |
| PACKAGING: | | BULK 40873-0056 | | | | PACKAGING: | | BULK 40873-0056 | | | |
| CKTS | MATERIAL NUMBER | ENG NUMBER | CKTS | MATERIAL NUMBER | ENG NUMBER | CKTS | MATERIAL NUMBER | ENG NUMBER | CKTS | MATERIAL NUMBER | ENG NUMBER |
| 02 | 22-28-2020 | A-42226-0002 | 20 | 22-28-2200 | A-42226-0020 | 02 | 22-28-2022 | A-42226-0037 | 20 | 22-28-2202 | A-42226-0055 |
| 03 | 22-28-2030 | A-42226-0003 | 21 | 22-28-2210 | A-42226-0021 | 03 | 22-28-2032 | A-42226-0038 | 21 | 22-28-2212 | A-42226-0056 |
| 04 | 22-28-2040 | A-42226-0004 | 22 | 22-28-2220 | A-42226-0022 | 04 | 22-28-2042 | A-42226-0039 | 22 | 22-28-2222 | A-42226-0057 |
| 05 | 22-28-2050 | A-42226-0005 | 23 | 22-28-2230 | A-42226-0023 | 05 | 22-28-2052 | A-42226-0040 | 23 | 22-28-2232 | A-42226-0058 |
| 06 | 22-28-2060 | A-42226-0006 | 24 | 22-28-2240 | A-42226-0024 | 06 | 22-28-2062 | A-42226-0041 | 24 | 22-28-2242 | A-42226-0059 |
| 07 | 22-28-2070 | A-42226-0007 | 25 | 22-28-2250 | A-42226-0025 | 07 | 22-28-2072 | A-42226-0042 | 25 | 22-28-2252 | A-42226-0060 |
| 08 | 22-28-2080 | A-42226-0008 | 26 | 22-28-2260 | A-42226-0026 | 08 | 22-28-2082 | A-42226-0043 | 26 | 22-28-2262 | A-42226-0061 |
| 09 | 22-28-2090 | A-42226-0009 | 27 | 22-28-2270 | A-42226-0027 | 09 | 22-28-2092 | A-42226-0044 | 27 | 22-28-2272 | A-42226-0062 |
| 10 | 22-28-2100 | A-42226-0010 | 28 | 22-28-2280 | A-42226-0028 | 10 | 22-28-2102 | A-42226-0045 | 28 | 22-28-2282 | A-42226-0063 |
| 11 | 22-28-2110 | A-42226-0011 | 29 | 22-28-2290 | A-42226-0029 | 11 | 22-28-2112 | A-42226-0046 | 29 | 22-28-2292 | A-42226-0064 |
| 12 | 22-28-2120 | A-42226-0012 | 30 | 22-28-2300 | A-42226-0030 | 12 | 22-28-2122 | A-42226-0047 | 30 | 22-28-2302 | A-42226-0065 |
| 13 | 22-28-2130 | A-42226-0013 | 31 | 22-28-2310 | A-42226-0031 | 13 | 22-28-2132 | A-42226-0048 | 31 | 22-28-2312 | A-42226-0066 |
| 14 | 22-28-2140 | A-42226-0014 | 32 | 22-28-2320 | A-42226-0032 | 14 | 22-28-2142 | A-42226-0049 | 32 | 22-28-2322 | A-42226-0067 |
| 15 | 22-28-2150 | A-42226-0015 | 33 | 22-28-2330 | A-42226-0033 | 15 | 22-28-2152 | A-42226-0050 | 33 | 22-28-2332 | A-42226-0068 |
| 16 | 22-28-2160 | A-42226-0016 | 34 | 22-28-2340 | A-42226-0034 | 16 | 22-28-2162 | A-42226-0051 | 34 | 22-28-2342 | A-42226-0069 |
| 17 | 22-28-2170 | A-42226-0017 | 35 | 22-28-2350 | A-42226-0035 | 17 | 22-28-2172 | A-42226-0052 | 35 | 22-28-2352 | A-42226-0070 |
| 18 | 22-28-2180 | A-42226-0018 | 36 | 22-28-2360 | A-42226-0036 | 18 | 22-28-2182 | A-42226-0053 | 36 | 22-28-2362 | A-42226-0071 |
| 19 | 22-28-2190 | A-42226-0019 | | | | 19 | 22-28-2192 | A-42226-0054 | | | |

| | | |
|---|---|---|
| REV: J | TITLE: .100 POLARIZING BREAKAWAY HEADER ASSY. | SHEET No. - 2 - |
| DOCUMENT NUMBER: SD- 42226 -001 | CREATED / REVISED BY: S. LINEHAN 03/04/2004 | CHECKED BY: K.SAMIEC 03/04/2003 |
| | APPROVED BY: Y. MARGULIS 03/04/2004 | |

| A-42226-0072/0106 | | | | | | A-42226-0107/0141 | | | | | |
|--------------------|-----------------|-----------------|------|-----------------|--------------|--------------------|-----------------|-----------------|------|-----------------|--------------|
| HEADER NUMBER: | | 41410 | | | | HEADER NUMBER: | | 41410 | | | |
| PIN NUMBER: | | 42663-CCB228 | | | | PIN NUMBER: | | 42663-CFA154 | | | |
| PIN LENGTH: L | | .670/17.02 | | | | PIN LENGTH: L | | .685/17.40 | | | |
| MATING LENGTH: M | | .295/7.49 | | | | MATING LENGTH: M | | .295/7.49 | | | |
| GOLD POINT: G | | .140/3.56 | | | | GOLD POINT: G | | N/A | | | |
| PC TAIL LENGTH: P | | .120/3.05 | | | | PC TAIL LENGTH: P | | .135/3.43 | | | |
| TIN: T | | .135/3.43 | | | | TIN: T | | OVERALL | | | |
| DIMENSION Y | | .022/0.56 | | | | DIMENSION Y | | .022/0.56 | | | |
| CKTS: | | 2-36 | | | | CKTS: | | 2-36 | | | |
| KINKS: | | NO | | | | KINKS: | | YES | | | |
| REMOVED BACKWALLS: | | NO | | | | REMOVED BACKWALLS: | | NO | | | |
| VOIDED CKTS: | | NONE | | | | VOIDED CKTS: | | NONE | | | |
| PACKAGING: | | BULK 40873-0056 | | | | PACKAGING: | | BULK 40873-0056 | | | |
| CKTS | MATERIAL NUMBER | ENG NUMBER | CKTS | MATERIAL NUMBER | ENG NUMBER | CKTS | MATERIAL NUMBER | ENG NUMBER | CKTS | MATERIAL NUMBER | ENG NUMBER |
| 02 | 22-28-2023 | A-42226-0072 | 20 | 22-28-2203 | A-42226-0090 | 02 | 22-28-2024 | A-42226-0107 | 20 | 22-28-2204 | A-42226-0125 |
| 03 | 22-28-2033 | A-42226-0073 | 21 | 22-28-2213 | A-42226-0091 | 03 | 22-28-2034 | A-42226-0108 | 21 | 22-28-2214 | A-42226-0126 |
| 04 | 22-28-2043 | A-42226-0074 | 22 | 22-28-2223 | A-42226-0092 | 04 | 22-28-2044 | A-42226-0109 | 22 | 22-28-2224 | A-42226-0127 |
| 05 | 22-28-2053 | A-42226-0075 | 23 | 22-28-2233 | A-42226-0093 | 05 | 22-28-2054 | A-42226-0110 | 23 | 22-28-2234 | A-42226-0128 |
| 06 | 22-28-2063 | A-42226-0076 | 24 | 22-28-2243 | A-42226-0094 | 06 | 22-28-2064 | A-42226-0111 | 24 | 22-28-2244 | A-42226-0129 |
| 07 | 22-28-2073 | A-42226-0077 | 25 | 22-28-2253 | A-42226-0095 | 07 | 22-28-2074 | A-42226-0112 | 25 | 22-28-2254 | A-42226-0130 |
| 08 | 22-28-2083 | A-42226-0078 | 26 | 22-28-2263 | A-42226-0096 | 08 | 22-28-2084 | A-42226-0113 | 26 | 22-28-2264 | A-42226-0131 |
| 09 | 22-28-2093 | A-42226-0079 | 27 | 22-28-2273 | A-42226-0097 | 09 | 22-28-2094 | A-42226-0114 | 27 | 22-28-2274 | A-42226-0132 |
| 10 | 22-28-2103 | A-42226-0080 | 28 | 22-28-2283 | A-42226-0098 | 10 | 22-28-2104 | A-42226-0115 | 28 | 22-28-2284 | A-42226-0133 |
| 11 | 22-28-2113 | A-42226-0081 | 29 | 22-28-2293 | A-42226-0099 | 11 | 22-28-2114 | A-42226-0116 | 29 | 22-28-2294 | A-42226-0134 |
| 12 | 22-28-2123 | A-42226-0082 | 30 | 22-28-2303 | A-42226-0100 | 12 | 22-28-2124 | A-42226-0117 | 30 | 22-28-2304 | A-42226-0135 |
| 13 | 22-28-2133 | A-42226-0083 | 31 | 22-28-2313 | A-42226-0101 | 13 | 22-28-2134 | A-42226-0118 | 31 | 22-28-2314 | A-42226-0136 |
| 14 | 22-28-2143 | A-42226-0084 | 32 | 22-28-2323 | A-42226-0102 | 14 | 22-28-2144 | A-42226-0119 | 32 | 22-28-2324 | A-42226-0137 |
| 15 | 22-28-2153 | A-42226-0085 | 33 | 22-28-2333 | A-42226-0103 | 15 | 22-28-2154 | A-42226-0120 | 33 | 22-28-2334 | A-42226-0138 |
| 16 | 22-28-2163 | A-42226-0086 | 34 | 22-28-2343 | A-42226-0104 | 16 | 22-28-2164 | A-42226-0121 | 34 | 22-28-2344 | A-42226-0139 |
| 17 | 22-28-2173 | A-42226-0087 | 35 | 22-28-2353 | A-42226-0105 | 17 | 22-28-2174 | A-42226-0122 | 35 | 22-28-2354 | A-42226-0140 |
| 18 | 22-28-2183 | A-42226-0088 | 36 | 22-28-2363 | A-42226-0106 | 18 | 22-28-2184 | A-42226-0123 | 36 | 22-28-2364 | A-42226-0141 |
| 19 | 22-28-2193 | A-42226-0089 | | | | 19 | 22-28-2194 | A-42226-0124 | | | |

| | | |
|---|---|---|
| REV: J | TITLE: .100 POLARIZING BREAKAWAY HEADER ASSY. | SHEET No. - 3 - |
| DOCUMENT NUMBER: SD- 42226 -001 | CREATED / REVISED BY: S. LINEHAN 03/04/2004 | CHECKED BY: K.SAMIEC 03/04/2003 |
| | APPROVED BY: Y. MARGULIS 03/04/2004 | |

| | | | | | | | | | | | |
|--|--|--|--|--|--|--|--|--|--|--|--|
| | | | | | | | | | | | |
|--|--|--|--|--|--|--|--|--|--|--|--|

| A-42226-0142/0176 | | | | | |
|--------------------|-----------------|--------------|------|-----------------|--------------|
| HEADER NUMBER: | 41410 | | | | |
| PIN NUMBER: | 42663-CFB208 | | | | |
| PIN LENGTH: L | .685/17.40 | | | | |
| MATING LENGTH: M | .295/7.49 | | | | |
| GOLD POINT: G | .140/3.56 | | | | |
| PC TAIL LENGTH: P | .135/3.43 | | | | |
| TIN: T | .100/2.54 | | | | |
| DIMENSION Y | .022/0.56 | | | | |
| CKTS: | 2-36 | | | | |
| KINKS: | YES | | | | |
| REMOVED BACKWALLS: | NO | | | | |
| VOIDED CKTS: | NONE | | | | |
| PACKAGING: | BULK 40873-0056 | | | | |
| CKTS | MATERIAL NUMBER | ENG NUMBER | CKTS | MATERIAL NUMBER | ENG NUMBER |
| 02 | 22-28-2025 | A-42226-0142 | 20 | 22-28-2205 | A-42226-0160 |
| 03 | 22-28-2035 | A-42226-0143 | 21 | 22-28-2215 | A-42226-0161 |
| 04 | 22-28-2045 | A-42226-0144 | 22 | 22-28-2225 | A-42226-0162 |
| 05 | 22-28-2055 | A-42226-0145 | 23 | 22-28-2235 | A-42226-0163 |
| 06 | 22-28-2065 | A-42226-0146 | 24 | 22-28-2245 | A-42226-0164 |
| 07 | 22-28-2075 | A-42226-0147 | 25 | 22-28-2255 | A-42226-0165 |
| 08 | 22-28-2085 | A-42226-0148 | 26 | 22-28-2265 | A-42226-0166 |
| 09 | 22-28-2095 | A-42226-0149 | 27 | 22-28-2275 | A-42226-0167 |
| 10 | 22-28-2105 | A-42226-0150 | 28 | 22-28-2285 | A-42226-0168 |
| 11 | 22-28-2115 | A-42226-0151 | 29 | 22-28-2295 | A-42226-0169 |
| 12 | 22-28-2125 | A-42226-0152 | 30 | 22-28-2305 | A-42226-0170 |
| 13 | 22-28-2135 | A-42226-0153 | 31 | 22-28-2315 | A-42226-0171 |
| 14 | 22-28-2145 | A-42226-0154 | 32 | 22-28-2325 | A-42226-0172 |
| 15 | 22-28-2155 | A-42226-0155 | 33 | 22-28-2335 | A-42226-0173 |
| 16 | 22-28-2165 | A-42226-0156 | 34 | 22-28-2345 | A-42226-0174 |
| 17 | 22-28-2175 | A-42226-0157 | 35 | 22-28-2355 | A-42226-0175 |
| 18 | 22-28-2185 | A-42226-0158 | 36 | 22-28-2365 | A-42226-0176 |
| 19 | 22-28-2195 | A-42226-0159 | | | |

| A-42226-0177/0211 | | | | | |
|--------------------|-----------------|--------------|------|-----------------|--------------|
| HEADER NUMBER: | 41410 | | | | |
| PIN NUMBER: | 42663-CFB228 | | | | |
| PIN LENGTH: L | .685/17.40 | | | | |
| MATING LENGTH: M | .295/7.49 | | | | |
| GOLD POINT: G | .140/3.56 | | | | |
| PC TAIL LENGTH: P | .135/3.43 | | | | |
| TIN: T | .100/2.54 | | | | |
| DIMENSION Y | .022/0.56 | | | | |
| CKTS: | 2-36 | | | | |
| KINKS: | YES | | | | |
| REMOVED BACKWALLS: | NO | | | | |
| VOIDED CKTS: | NONE | | | | |
| PACKAGING: | BULK 40873-0056 | | | | |
| CKTS | MATERIAL NUMBER | ENG NUMBER | CKTS | MATERIAL NUMBER | ENG NUMBER |
| 02 | 22-28-2026 | A-42226-0177 | 20 | 22-28-2206 | A-42226-0195 |
| 03 | 22-28-2036 | A-42226-0178 | 21 | 22-28-2216 | A-42226-0196 |
| 04 | 22-28-2046 | A-42226-0179 | 22 | 22-28-2226 | A-42226-0197 |
| 05 | 22-28-2056 | A-42226-0180 | 23 | 22-28-2236 | A-42226-0198 |
| 06 | 22-28-2066 | A-42226-0181 | 24 | 22-28-2246 | A-42226-0199 |
| 07 | 22-28-2076 | A-42226-0182 | 25 | 22-28-2256 | A-42226-0200 |
| 08 | 22-28-2086 | A-42226-0183 | 26 | 22-28-2266 | A-42226-0201 |
| 09 | 22-28-2096 | A-42226-0184 | 27 | 22-28-2276 | A-42226-0202 |
| 10 | 22-28-2106 | A-42226-0185 | 28 | 22-28-2286 | A-42226-0203 |
| 11 | 22-28-2116 | A-42226-0186 | 29 | 22-28-2296 | A-42226-0204 |
| 12 | 22-28-2126 | A-42226-0187 | 30 | 22-28-2306 | A-42226-0205 |
| 13 | 22-28-2136 | A-42226-0188 | 31 | 22-28-2316 | A-42226-0206 |
| 14 | 22-28-2146 | A-42226-0189 | 32 | 22-28-2326 | A-42226-0207 |
| 15 | 22-28-2156 | A-42226-0190 | 33 | 22-28-2336 | A-42226-0208 |
| 16 | 22-28-2166 | A-42226-0191 | 34 | 22-28-2346 | A-42226-0209 |
| 17 | 22-28-2176 | A-42226-0192 | 35 | 22-28-2356 | A-42226-0210 |
| 18 | 22-28-2186 | A-42226-0193 | 36 | 22-28-2366 | A-42226-0211 |
| 19 | 22-28-2196 | A-42226-0194 | | | |

| | | |
|------------------|---|---------------------------|
| REV: J | TITLE: .100 POLARIZING BREAKAWAY HEADER ASSY. | SHEET No. - 4 - |
|------------------|---|---------------------------|

| | | | |
|---|---|---|---|
| DOCUMENT NUMBER: SD- 42226 -001 | CREATED / REVISED BY: S. LINEHAN 03/04/2004 | CHECKED BY: K.SAMIEC 03/04/2003 | APPROVED BY: Y. MARGULIS 03/04/2004 |
|---|---|---|---|

| A-42226-0213/0246 | | | | | |
|--------------------|-----------------|-----------------|------|-----------------|--------------|
| HEADER NUMBER: | | 41410 | | | |
| PIN NUMBER: | | 42663-CCA154 | | | |
| PIN LENGTH: L | | .670/17.02 | | | |
| MATING LENGTH: M | | .295/7.49 | | | |
| GOLD POINT: G | | N/A | | | |
| PC TAIL LENGTH: P | | .120/3.05 | | | |
| TIN: T | | OVERALL | | | |
| DIMENSION Y | | .022/0.56 | | | |
| CKTS: | | 3-36 | | | |
| KINKS: | | NO | | | |
| REMOVED BACKWALLS: | | YES | | | |
| VOIDED CKTS: | | NONE | | | |
| PACKAGING: | | BULK 40873-0056 | | | |
| CKTS | MATERIAL NUMBER | ENG NUMBER | CKTS | MATERIAL NUMBER | ENG NUMBER |
| 02 | | | 20 | 22-28-2207 | A-42226-0230 |
| 03 | 22-28-2037 | A-42226-0213 | 21 | 22-28-2217 | A-42226-0231 |
| 04 | 22-28-2047 | A-42226-0214 | 22 | 22-28-2227 | A-42226-0232 |
| 05 | 22-28-2057 | A-42226-0215 | 23 | 22-28-2237 | A-42226-0233 |
| 06 | 22-28-2077 | A-42226-0216 | 24 | 22-28-2247 | A-42226-0234 |
| 07 | 22-28-2077 | A-42226-0217 | 25 | 22-28-2257 | A-42226-0235 |
| 08 | 22-28-2087 | A-42226-0218 | 26 | 22-28-2267 | A-42226-0236 |
| 09 | 22-28-2097 | A-42226-0219 | 27 | 22-28-2277 | A-42226-0237 |
| 10 | 22-28-2107 | A-42226-0220 | 28 | 22-28-2287 | A-42226-0238 |
| 11 | 22-28-2117 | A-42226-0221 | 29 | 22-28-2297 | A-42226-0239 |
| 12 | 22-28-2127 | A-42226-0222 | 30 | 22-28-2307 | A-42226-0240 |
| 13 | 22-28-2137 | A-42226-0223 | 31 | 22-28-2317 | A-42226-0241 |
| 14 | 22-28-2147 | A-42226-0224 | 32 | 22-28-2327 | A-42226-0242 |
| 15 | 22-28-2157 | A-42226-0225 | 33 | 22-28-2337 | A-42226-0243 |
| 16 | 22-28-2167 | A-42226-0226 | 34 | 22-28-2347 | A-42226-0244 |
| 17 | 22-28-2177 | A-42226-0227 | 35 | 22-28-2357 | A-42226-0245 |
| 18 | 22-28-2187 | A-42226-0228 | 36 | 22-28-2367 | A-42226-0246 |
| 19 | 22-28-2197 | A-42226-0229 | | | |

| A-42226-0248/0281 | | | | | |
|--------------------|-----------------|-----------------|------|-----------------|--------------|
| HEADER NUMBER: | | 41410 | | | |
| PIN NUMBER: | | 42663-CCB208 | | | |
| PIN LENGTH: L | | .670/17.02 | | | |
| MATING LENGTH: M | | .295/7.49 | | | |
| GOLD POINT: G | | .140/3.56 | | | |
| PC TAIL LENGTH: P | | .120/3.05 | | | |
| TIN: T | | .135/3.43 | | | |
| DIMENSION Y | | .022/0.56 | | | |
| CKTS: | | 3-36 | | | |
| KINKS: | | NO | | | |
| REMOVED BACKWALLS: | | YES | | | |
| VOIDED CKTS: | | NONE | | | |
| PACKAGING: | | BULK 40873-0056 | | | |
| CKTS | MATERIAL NUMBER | ENG NUMBER | CKTS | MATERIAL NUMBER | ENG NUMBER |
| 02 | | | 20 | 22-28-2208 | A-42226-0265 |
| 03 | 22-28-2038 | A-42226-0248 | 21 | 22-28-2218 | A-42226-0266 |
| 04 | 22-28-2048 | A-42226-0249 | 22 | 22-28-2228 | A-42226-0267 |
| 05 | 22-28-2058 | A-42226-0250 | 23 | 22-28-2238 | A-42226-0268 |
| 06 | 22-28-2068 | A-42226-0251 | 24 | 22-28-2248 | A-42226-0269 |
| 07 | 22-28-2078 | A-42226-0252 | 25 | 22-28-2258 | A-42226-0270 |
| 08 | 22-28-2088 | A-42226-0253 | 26 | 22-28-2268 | A-42226-0271 |
| 09 | 22-28-2098 | A-42226-0254 | 27 | 22-28-2278 | A-42226-0272 |
| 10 | 22-28-2108 | A-42226-0255 | 28 | 22-28-2288 | A-42226-0273 |
| 11 | 22-28-2118 | A-42226-0256 | 29 | 22-28-2298 | A-42226-0274 |
| 12 | 22-28-2128 | A-42226-0257 | 30 | 22-28-2308 | A-42226-0275 |
| 13 | 22-28-2138 | A-42226-0258 | 31 | 22-28-2318 | A-42226-0276 |
| 14 | 22-28-2148 | A-42226-0259 | 32 | 22-28-2328 | A-42226-0277 |
| 15 | 22-28-2158 | A-42226-0260 | 33 | 22-28-2338 | A-42226-0278 |
| 16 | 22-28-2168 | A-42226-0261 | 34 | 22-28-2348 | A-42226-0279 |
| 17 | 22-28-2178 | A-42226-0262 | 35 | 22-28-2358 | A-42226-0280 |
| 18 | 22-28-2188 | A-42226-0263 | 36 | 22-28-2368 | A-42226-0281 |
| 19 | 22-28-2198 | A-42226-0264 | | | |

| | | |
|---|---|---|
| REV: J | TITLE: .100 POLARIZING BREAKAWAY HEADER ASSY. | SHEET No. - 5 - |
| DOCUMENT NUMBER: SD- 42226 -001 | CREATED / REVISED BY: S. LINEHAN 03/04/2004 | CHECKED BY: K.SAMIEC 03/04/2003 |
| | | APPROVED BY: Y. MARGULIS 03/04/2004 |

| | | | | | | | | | | | |
|-------------------|--|--|--|--|--|-------------------|--|--|--|--|--|
| A-42226-0283/0316 | | | | | | A-42226-0318/0351 | | | | | |
|-------------------|--|--|--|--|--|-------------------|--|--|--|--|--|

| | |
|--------------------|-----------------|
| HEADER NUMBER: | 41410 |
| PIN NUMBER: | 42663-CCB228 |
| PIN LENGTH: L | .670/17.02 |
| MATING LENGTH: M | .295/7.49 |
| GOLD POINT: G | .140/3.56 |
| PC TAIL LENGTH: P | .120/3.05 |
| TIN: T | .135/3.43 |
| DIMENSION Y | .022/0.56 |
| CKTS: | 3-36 |
| KINKS: | NO |
| REMOVED BACKWALLS: | YES |
| VOIDED CKTS: | NONE |
| PACKAGING: | BULK 40873-0056 |

| | |
|--------------------|-----------------|
| HEADER NUMBER: | 41410 |
| PIN NUMBER: | 42663-CFA154 |
| PIN LENGTH: L | .685/17.40 |
| MATING LENGTH: M | .295/7.49 |
| GOLD POINT: G | N/A |
| PC TAIL LENGTH: P | .135/3.43 |
| TIN: T | OVERALL |
| DIMENSION Y | .022/0.56 |
| CKTS: | 3-36 |
| KINKS: | YES |
| REMOVED BACKWALLS: | YES |
| VOIDED CKTS: | NONE |
| PACKAGING: | BULK 40873-0056 |

| CKTS | MATERIAL NUMBER | ENG NUMBER | CKTS | MATERIAL NUMBER | ENG NUMBER |
|------|-----------------|--------------|------|-----------------|--------------|
| 02 | | | 20 | 22-28-2209 | A-42226-0300 |
| 03 | 22-28-2039 | A-42226-0283 | 21 | 22-28-2219 | A-42226-0301 |
| 04 | 22-28-2049 | A-42226-0284 | 22 | 22-28-2229 | A-42226-0302 |
| 05 | 22-28-2059 | A-42226-0285 | 23 | 22-28-2239 | A-42226-0303 |
| 06 | 22-28-2069 | A-42226-0286 | 24 | 22-28-2249 | A-42226-0304 |
| 07 | 22-28-2079 | A-42226-0287 | 25 | 22-28-2259 | A-42226-0305 |
| 08 | 22-28-2089 | A-42226-0288 | 26 | 22-28-2269 | A-42226-0306 |
| 09 | 22-28-2099 | A-42226-0289 | 27 | 22-28-2279 | A-42226-0307 |
| 10 | 22-28-2109 | A-42226-0290 | 28 | 22-28-2289 | A-42226-0308 |
| 11 | 22-28-2119 | A-42226-0291 | 29 | 22-28-2299 | A-42226-0309 |
| 12 | 22-28-2129 | A-42226-0292 | 30 | 22-28-2309 | A-42226-0310 |
| 13 | 22-28-2139 | A-42226-0293 | 31 | 22-28-2319 | A-42226-0311 |
| 14 | 22-28-2149 | A-42226-0294 | 32 | 22-28-2329 | A-42226-0312 |
| 15 | 22-28-2159 | A-42226-0295 | 33 | 22-28-2339 | A-42226-0313 |
| 16 | 22-28-2169 | A-42226-0296 | 34 | 22-28-2349 | A-42226-0314 |
| 17 | 22-28-2179 | A-42226-0297 | 35 | 22-28-2359 | A-42226-0315 |
| 18 | 22-28-2189 | A-42226-0298 | 36 | 22-28-2369 | A-42226-0316 |
| 19 | 22-28-2199 | A-42226-0299 | | | |

| CKTS | MATERIAL NUMBER | ENG NUMBER | CKTS | MATERIAL NUMBER | ENG NUMBER |
|------|-----------------|--------------|------|-----------------|--------------|
| 02 | | | 20 | 22-31-4200 | A-42226-0335 |
| 03 | 22-31-4030 | A-42226-0318 | 21 | 22-31-4210 | A-42226-0336 |
| 04 | 22-31-4040 | A-42226-0319 | 22 | 22-31-4220 | A-42226-0337 |
| 05 | 22-31-4050 | A-42226-0320 | 23 | 22-31-4230 | A-42226-0338 |
| 06 | 22-31-4060 | A-42226-0321 | 24 | 22-31-4240 | A-42226-0339 |
| 07 | 22-31-4070 | A-42226-0322 | 25 | 22-31-4250 | A-42226-0340 |
| 08 | 22-31-4080 | A-42226-0323 | 26 | 22-31-4260 | A-42226-0341 |
| 09 | 22-31-4090 | A-42226-0324 | 27 | 22-31-4270 | A-42226-0342 |
| 10 | 22-31-4100 | A-42226-0325 | 28 | 22-31-4280 | A-42226-0343 |
| 11 | 22-31-4110 | A-42226-0326 | 29 | 22-31-4200 | A-42226-0344 |
| 12 | 22-31-4120 | A-42226-0327 | 30 | 22-31-4300 | A-42226-0345 |
| 13 | 22-31-4130 | A-42226-0328 | 31 | 22-31-4310 | A-42226-0346 |
| 14 | 22-31-4140 | A-42226-0329 | 32 | 22-31-4320 | A-42226-0347 |
| 15 | 22-31-4150 | A-42226-0330 | 33 | 22-31-4330 | A-42226-0348 |
| 16 | 22-31-4160 | A-42226-0331 | 34 | 22-31-4340 | A-42226-0349 |
| 17 | 22-31-4170 | A-42226-0332 | 35 | 22-31-4350 | A-42226-0350 |
| 18 | 22-31-4180 | A-42226-0333 | 36 | 22-31-4360 | A-42226-0351 |
| 19 | 22-31-4190 | A-42226-0334 | | | |

| | | |
|------------------|---|---------------------------|
| REV: J | TITLE: .100 POLARIZING BREAKAWAY HEADER ASSY. | SHEET No. - 6 - |
|------------------|---|---------------------------|

| | | | |
|---|---|---|---|
| DOCUMENT NUMBER: SD- 42226 -001 | CREATED / REVISED BY: S. LINEHAN 03/04/2004 | CHECKED BY: K.SAMIEC 03/04/2003 | APPROVED BY: Y. MARGULIS 03/04/2004 |
|---|---|---|---|

A-42226-0422/0456

| | |
|--------------------|-----------------|
| HEADER NUMBER: | 41410 |
| PIN NUMBER: | 42663-CFA154 |
| PIN LENGTH: L | .685/17.40 |
| MATING LENGTH: M | .295/7.49 |
| GOLD POINT: G | N/A |
| PC TAIL LENGTH: P | .135/3.43 |
| TIN: T | OVERALL |
| DIMENSION Y | .022/0.56 |
| CKTS: | 2-36 |
| KINKS: | NO |
| REMOVED BACKWALLS: | NO |
| VOIDED CKTS: | NONE |
| PACKAGING: | BULK 40873-0056 |

| CKTS | MATERIAL NUMBER | ENG NUMBER | CKTS | MATERIAL NUMBER | ENG NUMBER |
|------|-----------------|--------------|------|-----------------|--------------|
| 02 | 42226-0422 | A-42226-0422 | 20 | 42226-0440 | A-42226-0440 |
| 03 | 42226-0423 | A-42226-0423 | 21 | 42226-0441 | A-42226-0441 |
| 04 | 42226-0424 | A-42226-0424 | 22 | 42226-0442 | A-42226-0442 |
| 05 | 42226-0425 | A-42226-0425 | 23 | 42226-0443 | A-42226-0443 |
| 06 | 42226-0426 | A-42226-0426 | 24 | 42226-0444 | A-42226-0444 |
| 07 | 42226-0427 | A-42226-0427 | 25 | 42226-0445 | A-42226-0445 |
| 08 | 42226-0428 | A-42226-0428 | 26 | 42226-0446 | A-42226-0446 |
| 09 | 42226-0429 | A-42226-0429 | 27 | 42226-0447 | A-42226-0447 |
| 10 | 42226-0430 | A-42226-0430 | 28 | 42226-0448 | A-42226-0448 |
| 11 | 42226-0431 | A-42226-0431 | 29 | 42226-0449 | A-42226-0449 |
| 12 | 42226-0432 | A-42226-0432 | 30 | 42226-0450 | A-42226-0450 |
| 13 | 42226-0433 | A-42226-0433 | 31 | 42226-0451 | A-42226-0451 |
| 14 | 42226-0434 | A-42226-0434 | 32 | 42226-0452 | A-42226-0452 |
| 15 | 42226-0435 | A-42226-0435 | 33 | 42226-0453 | A-42226-0453 |
| 16 | 42226-0436 | A-42226-0436 | 34 | 42226-0454 | A-42226-0454 |
| 17 | 42226-0437 | A-42226-0437 | 35 | 42226-0455 | A-42226-0455 |
| 18 | 42226-0438 | A-42226-0438 | 36 | 42226-0456 | A-42226-0456 |
| 19 | 42226-0439 | A-42226-0439 | | | |

| | | |
|------------------|---|---------------------------|
| REV: J | TITLE: .100 POLARIZING BREAKAWAY HEADER ASSY. | SHEET No. - 7 - |
|------------------|---|---------------------------|

| | | | |
|---|---|---|---|
| DOCUMENT NUMBER: SD- 42226 -001 | CREATED / REVISED BY: S. LINEHAN 03/04/2004 | CHECKED BY: K.SAMIEC 03/04/2003 | APPROVED BY: Y. MARGULIS 03/04/2004 |
|---|---|---|---|