

# SOLID STATE RELAY

## MAXIMUM LOAD CURRENT 3 A

### SG Series

RoHS compliant

#### ■ FEATURES

- Conforms to UL, CSA Standards
- Slim, SIL Terminal Type
  - Size: 9.0 (W) × 40.0 (L) × 20.0(H) mm
  - Weight: approximately 13g
- High reliability, long life and maintenance free
- High isolation (between input and output)
  - Dielectric strength: 2,500 Vrms
- Internal zero cross circuit type available
- Internal output surge absorber (varistor) type available.
- RoHS compliant since date code: 6703 (July 3rd, 2006)  
Please see page 5 for more information



#### ■ ORDERING INFORMATION

[Example]      SG - 12 A 03 C V L  
                   (a)    (b) (c) (d) (e) (f) (g)

(a)	Series Name	SG: SG Series
(b)	Nominal Voltage (Input side)	3 : 3 VDC 5: 5 VDC 12: 12 VDC 24: 24 VDC
(c)	Load Voltage	A: AC type
(d)	Load Current	03: 3 A rms
(e)	Zero Cross Circuit	Nil: No zero cross tyoe C: Zero cross type
(f)	Varistor	Nil: No varistor type V : Internal varistor type
(g)	Input Terminal Distance	Nil: 7.62 mm L: 5.08 mm

# SG SERIES

## ■ SPECIFICATIONS

Item		AC	Remarks
		TYPE 3 A	
INPUT side	Nominal Voltage (DC)	3 V, 5 V, 12 V, 24 V	
	Operate Range	±20% of nominal voltage	
	Must Operate Voltage	80% of nominal voltage	
	Must Release Voltage	Minimum 1 V	
	Input Impedance	3 VDC Type	130Ω ±10%
5 VDC Type		330Ω ±10%	
12 VDC Type		1.0 kΩ ±10%	
24 VDC Type		2.2 kΩ ±10%	
OUTPUT side	Load Voltage Range	75 to 265 Vrms	
	Maximum Load Current	3.0 Arms	CHARACTERISTIC DATA
	Minimum Load Current	10 mArms	
	1 Cycle Surge Current	132 A (60 Hz)	
	Max. Off-state Leakage Current	2.5 mArms (at 100 Vrms 60 Hz) 5.0 mArms (at 200 Vrms 60 Hz)	
	Max. Off-state Voltage Drop	1.5 Vrms	at max. load current
Max. Operate Time	at no zero cross type	1 ms	
	at zero cross type	1/2 cycle + 1 ms	
Max. Release Time		1/2 cycle + 1 ms	
Insulation Resistance		Minimum 1,000 MΩ (at 500 VDC)	for input-output
Dielectric Strength		2,500 Vrms for 1 minute	for input-output
Operating Temperature Range		-30°C to + 85°C	
Storage Temperature Range		-40°C to + 100°C	
Case Color		Black	
Weight		Approximately 13g	

## ■ INSULATION

Item	AC 3.0A type	Note
Resistance (initial)	Minimum 1,000 MΩ (500VDC)	Input-output
Surge Voltage	2,500V rms 1 min.	

## ■ BLOCK DIAGRAM

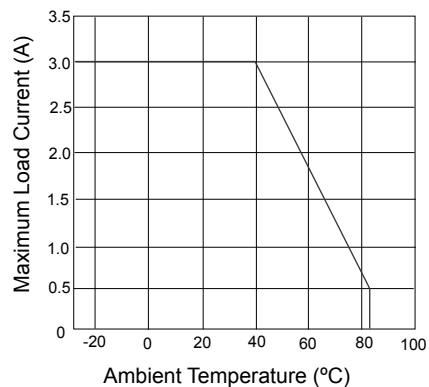
LOAD	INSULATION	CIRCUITS	Input/Output waveform (resistive load)
AC	Photo-triac coupler		

# SG SERIES

## ■ CHARACTERISTIC DATA

SG-A03 (3.0A type)

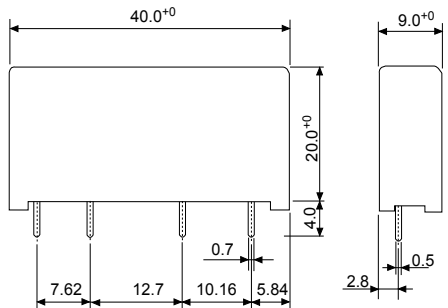
Ambient Temperature vs. Maximum Load Current



## ■ DIMENSIONS

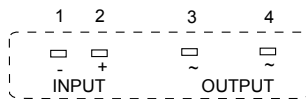
### ● Dimensions

SG-( ) A03 Type



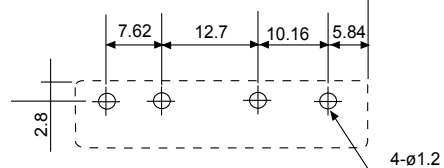
### ● Schematics

(BOTTOM VIEW)

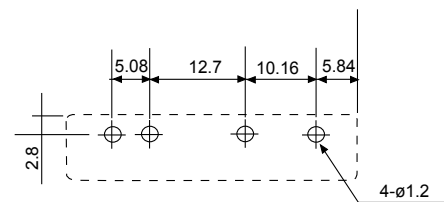
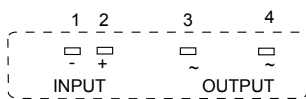
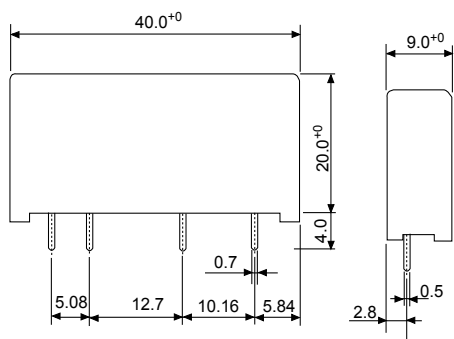


### ● PC board mounting hole layout

(BOTTOM VIEW)



SG-( ) A03L Type

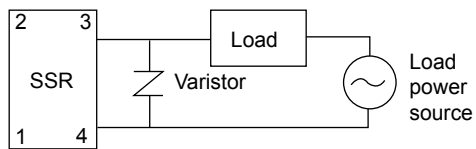


Unit: mm

# SG SERIES

## ■ NOTES

1. Polarity of terminals are pre-determined. Please design accordingly.
2. If using non-Varistor enclosure type please use Varistor type as in Figure 1.



## RoHS Compliance and Lead Free Relay Information

### 1. General Information

- Relays produced after the specific date code that is indicated on each data sheet are lead-free now. Most of our signal and power relays are lead-free. Please refer to Lead-Free Status Info. (<http://www.fujitsu.com/us/downloads/MICRO/fcai/relays/lead-free-letter.pdf>)
- Lead free solder paste currently used in relays is Sn-3.0Ag-0.5Cu.
- All signal and most power relays also comply with RoHS. Please refer to individual data sheets. Relays that are RoHS compliant do not contain the 5 hazardous materials that are restricted by RoHS directive (lead, mercury, chromium IV, PBB, PBDE).
- It has been verified that using lead-free relays in leaded assembly process will not cause any problems (compatible).
- "LF" is marked on each outer and inner carton. (No marking on individual relays).
- To avoid leaded relays (for lead-free sample, etc.) please consult with area sales office.
- We will ship leaded relays as long as the leaded relay inventory exists.

Note: Cadmium was exempted from RoHS on October 21, 2005. (Amendment to Directive 2002/95/EC)

### 2. Recommended Lead Free Solder Profile

- Recommended solder paste Sn-3.0Ag-0.5Cu.

#### Reflow Solder condition

**Flow Solder condition:**

Pre-heating: maximum 120°C  
Soldering: dip within 5 sec. at  
260°C solder bath

**Solder by Soldering Iron:**

Soldering Iron  
Temperature: maximum 360°C  
Duration: maximum 3 sec.

**We highly recommend that you confirm your actual solder conditions**

### 3. Moisture Sensitivity

- Moisture Sensitivity Level standard is not applicable to electromechanical relays.

### 4. Tin Whisker

- Dipped SnAgCu solder is known as low risk tin whisker. No considerable length whisker was found by our in house test.

# SG SERIES

## Fujitsu Components International Headquarter Offices

### Japan

Fujitsu Component Limited  
Gotanda-Chuo Building  
3-5, Higashigotanda 2-chome, Shinagawa-ku  
Tokyo 141, Japan  
Tel: (81-3) 5449-7010  
Fax: (81-3) 5449-2626  
Email: [promothq@ft.ed.fujitsu.com](mailto:promothq@ft.ed.fujitsu.com)  
Web: [www.fcl.fujitsu.com](http://www.fcl.fujitsu.com)

### North and South America

Fujitsu Components America, Inc.  
250 E. Caribbean Drive  
Sunnyvale, CA 94089 U.S.A.  
Tel: (1-408) 745-4900  
Fax: (1-408) 745-4970  
Email: [components@us.fujitsu.com](mailto:components@us.fujitsu.com)  
Web: <http://www.fujitsu.com/us/services/edevices/components/>

### Europe

Fujitsu Components Europe B.V.  
Diamantlaan 25  
2132 WV Hoofddorp  
Netherlands  
Tel: (31-23) 5560910  
Fax: (31-23) 5560950  
Email: [info@fceu.fujitsu.com](mailto:info@fceu.fujitsu.com)  
Web: [emea.fujitsu.com/components/](http://emea.fujitsu.com/components/)

### Asia Pacific

Fujitsu Components Asia Ltd.  
102E Pasir Panjang Road  
#01-01 Citilink Warehouse Complex  
Singapore 118529  
Tel: (65) 6375-8560  
Fax: (65) 6273-3021  
Email: [fcal@fcal.fujitsu.com](mailto:fcal@fcal.fujitsu.com)  
Web: <http://www.fujitsu.com/sg/services/micro/components/>

©2008 Fujitsu Components America, Inc. All rights reserved. All trademarks or registered trademarks are the property of their respective owners.

Fujitsu Components America or its affiliates do not warrant that the content of datasheet is error free. In a continuing effort to improve our products Fujitsu Components America, Inc. or its affiliates reserve the right to change specifications/datasheets without prior notice.  
Rev. January 18, 2008.