

**PLEASE CHECK WWW.MOLEX.COM FOR LATEST PART INFORMATION**

**Part Number:** [0015045081](#)  
**Status:** **Active**  
**Overview:** [cgrid\\_sl\\_products](#)  
**Description:** 2.54mm (.100") SL™ Interim Clip, 8 Circuits

**Documents:**

|   |  |
|---|--|
| <a href="#">3D Model</a>                      | <a href="#">Drawing (PDF)</a>                        |
| <a href="#">Packaging Specification (PDF)</a> | <a href="#">RoHS Certificate of Compliance (PDF)</a> |

**Agency Certification**

|     |         |
|-----|---------|
| CSA | LR19980 |
| UL  | E29179  |

**General**

|                |                                   |
|----------------|-----------------------------------|
| Product Family | Accessories                       |
| Series         | <a href="#">70013</a>             |
| Component Type | Clip                              |
| Overview       | <a href="#">cgrid_sl_products</a> |
| Product Name   | SL™                               |

**Physical**

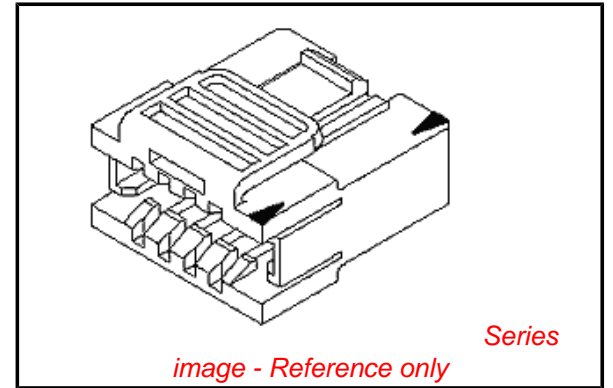
|                     |           |
|---------------------|-----------|
| Circuits (Loaded)   | 8         |
| Color - Resin       | Black     |
| Flammability        | 94V-0     |
| Lock to Mating Part | Yes       |
| Material - Resin    | Polyester |
| Number of Rows      | 2         |
| Packaging Type      | Bag       |

**Material Info**

|                 |           |
|-----------------|-----------|
| Old Part Number | 700130007 |
|-----------------|-----------|

**Reference - Drawing Numbers**

|               |                    |
|---------------|--------------------|
| Sales Drawing | SD-70013-0001-1050 |
|---------------|--------------------|



**EU RoHS**

**ELV and RoHS  
Compliant**  
**REACH SVHC  
Contains SVHC: No**  
**Halogen-Free  
Status**

**China RoHS**



**Need more information on product  
environmental compliance?**

Email [productcompliance@molex.com](mailto:productcompliance@molex.com)  
 For a multiple part number RoHS Certificate of  
 Compliance, [click here](#)

Please visit the [Contact Us](#) section for any  
 non-product compliance questions.

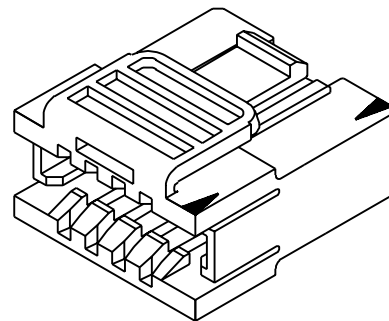
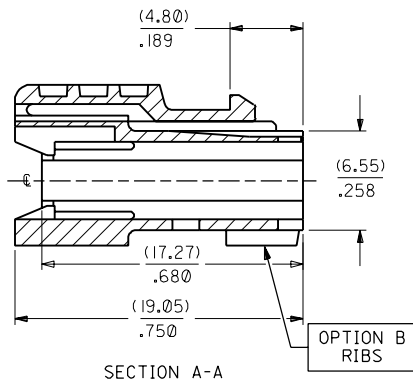
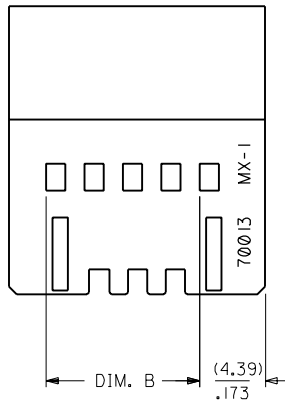
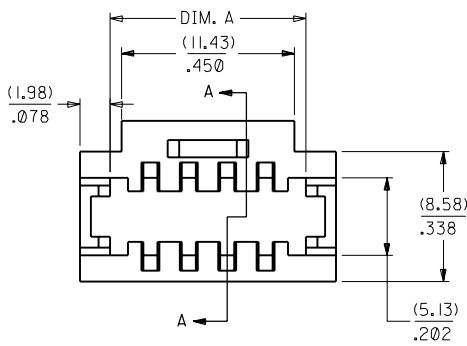
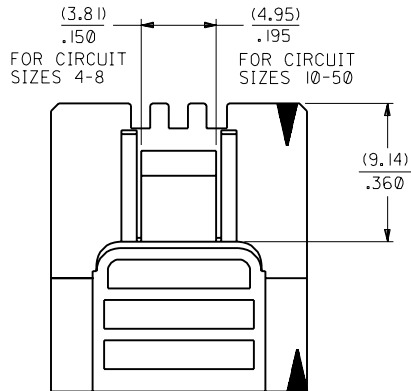
**Search Parts in this Series**

[70013Series](#)

**Use With**

[70066](#) SL™ Crimp Housing. [70058](#) SL™  
 Crimp Terminal. [70400](#) C-Grid SL™ IDT  
 Connector Assembly. [70430](#) C-Grid SL™.  
[70450](#) SL™ Crimp Housing

| CKT. SIZE | OPTION A (WITHOUT RIBS) |            | OPTION B (WITH RIBS) |            | DIMENSION        |                  |
|-----------|-------------------------|------------|----------------------|------------|------------------|------------------|
|           | EDP. NO.                | ENG. NO.   | EDP. NO.             | ENG. NO.   | A                | B                |
|           | 4                       | NOT TOOLED | X-70013-0008         | NOT TOOLED | X-70013-1004     | (5.33)<br>.210   |
| 6         | 015-04-5061             | 70013-0001 | 015-04-5064          | 70013-1006 | (7.87)<br>.310   | (5.08)<br>.200   |
| 8         | 015-04-5081             | 70013-0007 | 015-04-5084          | 70013-1008 | (10.41)<br>.410  | (7.62)<br>.300   |
| 10        | 015-04-5101             | 70013-0002 | 015-04-5104          | 70013-1010 | (12.95)<br>.510  | (10.16)<br>.400  |
| 12        | 015-04-5121             | 70013-0012 | 015-04-5124          | 70013-1012 | (15.49)<br>.610  | (12.70)<br>.500  |
| 14        | 015-04-5141             | 70013-0014 | 015-04-5144          | 70013-1014 | (18.03)<br>.710  | (15.24)<br>.600  |
| 16        | 015-04-5161             | 70013-0016 | 015-04-5164          | 70013-1016 | (20.57)<br>.810  | (17.78)<br>.700  |
| 18        | 015-04-5181             | 70013-0018 | 015-04-5184          | 70013-1018 | (23.11)<br>.910  | (20.32)<br>.800  |
| 20        | 015-04-5201             | 70013-0003 | 015-04-5204          | 70013-1020 | (25.65)<br>1.010 | (22.86)<br>.900  |
| 22        | 015-04-5221             | 70013-0022 | 015-04-5224          | 70013-1022 | (28.19)<br>1.110 | (25.40)<br>1.000 |
| 24        | 015-04-5241             | 70013-0024 | 015-04-5244          | 70013-1024 | (30.73)<br>1.210 | (27.94)<br>1.100 |
| 26        | 015-04-5261             | 70013-0026 | 015-04-5264          | 70013-1026 | (33.27)<br>1.310 | (30.48)<br>1.200 |
| 28        | 015-04-5281             | 70013-0028 | 015-04-5284          | 70013-1028 | (35.81)<br>1.410 | (33.02)<br>1.300 |
| 30        | 015-04-5301             | 70013-0004 | 015-04-5304          | 70013-1030 | (38.35)<br>1.510 | (35.56)<br>1.400 |
| 32        | 015-04-5321             | 70013-0032 | 015-04-5324          | 70013-1032 | (40.89)<br>1.610 | (38.10)<br>1.500 |
| 34        | 015-04-5341             | 70013-0034 | 015-04-5344          | 70013-1034 | (43.43)<br>1.710 | (40.64)<br>1.600 |
| 36        | 015-04-5361             | 70013-0036 | 015-04-5364          | 70013-1036 | (45.97)<br>1.810 | (43.18)<br>1.700 |
| 38        | 015-04-5381             | 70013-0038 | 015-04-5384          | 70013-1038 | (48.51)<br>1.910 | (45.72)<br>1.800 |
| 40        | 015-04-5401             | 70013-0005 | 015-04-5404          | 70013-1040 | (51.05)<br>2.010 | (48.26)<br>1.900 |
| 42        | 015-04-5421             | 70013-0042 | 015-04-5424          | 70013-1042 | (53.59)<br>2.110 | (50.80)<br>2.000 |
| 44        | 015-04-5441             | 70013-0044 | 015-04-5444          | 70013-1044 | (56.13)<br>2.210 | (53.34)<br>2.100 |
| 46        | 015-04-5461             | 70013-0046 | 015-04-5464          | 70013-1046 | (58.67)<br>2.310 | (55.88)<br>2.200 |
| 48        | 015-04-5481             | 70013-0048 | 015-04-5484          | 70013-1048 | (61.21)<br>2.410 | (58.42)<br>2.300 |
| 50        | 015-04-5501             | 70013-0006 | 015-04-5504          | 70013-1050 | (63.75)<br>2.510 | (60.96)<br>2.400 |



NOTES:

- 1) MATERIAL: GLASS FILLED POLYESTER, 94V-0, BLACK
- 2) MOLD TO BE EXPANDABLE FOR CIRCUIT SIZES LISTED ON CHART.
- 3) 10 CIRCUIT, B OPTION PART SHOWN.
- 4) OPTION "A" - MATES WITH HEADERS 8723-B, 8723-C, 8724-B, 8724-C, 70227, 70229, AND 70022. OPTION "B" - MATES WITH HEADERS 8723-C, 8724-C, 70227, 700229, AND 70022 (EXCEPT THE 50 CIRCUIT PARTS LISTED ON PAGE 4. SEE THE CHART ON PAGE 4 FOR MATING INTERIM CLIPS)
- 5) ALL DIMENSIONS FOR REFERENCE ONLY.
- 6) OPTIONAL SPRING CLIP FOR GREATER RETENTION OF MODULES IS RECOMMENDED FOR CIRCUIT SIZES 18-50. PART NUMBER 71809.
- 7) PACKAGE PER PK-70013-100.

|      |  |      |   |
|------|--|------|---|
| M    | ADD PKG NOTE<br>ECN UDT2000-0468<br>SCHAFFER 99/12/1 | LI   | REVISE PER<br>ECR #U80583<br>10/10/97 HPA                                   |
| L3   | CLEAN UP DWG<br>PER UDT1999-0522<br>99/01/05 KAS     | L    | REVISE PER<br>ECR #U80062<br>3/1/88 MJM                                     |
| L2   | REVISE PER<br>ECR #UDT1998-0206<br>98/01/09 HPA      | K    | REVISE TOP WALL &<br>ANTI-FISH HOOK<br>RIBS PER ECR#9622<br>1/17/87 MJM/JAS |
| LTR. | REVISIONS  | LTR. | REVISIONS   |

|  |               |
|--|---------------|
| DIMENSIONS SHOWN (METRIC) INCH<br>UNLESS OTHERWISE SPECIFIED<br>TOLERANCES: ANGULAR ± 1/2° |               |
| 3 PLACE ± .010   | ---           |
| 2 PLACE ± .015   | ± 0.25        |
| 1 PLACE ---  | ± 0.38        |
| DRAFT WHERE APPLICABLE MUST<br>REMAIN WITHIN DIMENSIONS                                    |               |
| DRWL. BY: DJB  | CHK'D. BY: DB |
| APP'D. BY: WZ  | SCALE: 4:1    |

|   |       |                                 |                  |
|---|-------|---------------------------------|------------------|
| ▽ = 0   | ▼ = 0 | REVISE ONLY ON CAD SYSTEM       |                  |
| TITLE<br>DUAL ROW<br>INTERIM CLIP<br>.100 GRID  |       |                                 |                  |
| MOLEX INCORPORATED<br>LISLE, ILL. 60532   |       | SHEET NO.<br>1 OF 4             | DATE<br>06/23/86 |
| PART NO.<br>SEE CHART   |       | DRWG. NO.<br>SD-70013-0001-1050 |                  |
| THIS DRAWING CONTAINS INFORMATION THAT IS PROPRIETARY TO<br>MOLEX INC. AND SHOULD NOT BE USED WITHOUT WRITTEN PERMISSION. |       |                                 |                  |
| DP  | C     | DP                              | C                |

70013

C

B

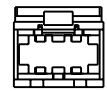
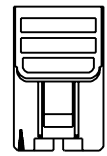
A

|               |    |
|---------------|----|
| 4             | L2 |
| 3             | L1 |
| 2             | L3 |
| 1             | M  |
| MFG. SH. REV. |    |

4 CKT.



6 CKT.  
3 CKT. DUAL  
ROW - ODD



8 CKT.  
4 CKT. DUAL  
ROW - EVEN



10 CKT.  
SHOWN  
ON SHT. 1

12 CKT.  
6 CKT. DUAL  
ROW - EVEN



14 CKT.  
7 CKT. DUAL  
ROW - ODD



16 CKT.  
8 CKT. DUAL  
ROW - EVEN



18 CKT.  
9 CKT. DUAL  
ROW - ODD



20 CKT.  
10 CKT. DUAL  
ROW - EVEN



22 CKT.  
11 CKT. DUAL  
ROW - ODD



24 CKT.  
12 CKT. DUAL  
ROW - EVEN



26 CKT.  
13 CKT. DUAL  
ROW - ODD



28 CKT.  
14 CKT. DUAL  
ROW - EVEN



30 CKT.  
15 CKT. DUAL  
ROW - ODD



32 CKT.  
16 CKT. DUAL  
ROW - EVEN



34 CKT.  
17 CKT. DUAL  
ROW - ODD



36 CKT.  
18 CKT. DUAL  
ROW - EVEN



|    |             |
|----|-------------|
| L3 | SEE SHEET 1 |
| L  | SEE SHEET 1 |
| L  | SEE SHEET 1 |
| K  | SEE SHEET 1 |
| J  | SEE SHEET 1 |

|  |              |                     |                               |                    |                |  |  |
|--|--------------|---------------------|-------------------------------|--------------------|----------------|--|--|
| DIMENSIONS SHOWN (METRIC) INCH                         |              | ▽ = 0               |                               | ◻ = 0              |                | REVISE ONLY ON CAD SYSTEM                                    |  |
| UNLESS OTHERWISE SPECIFIED TOLERANCES ANGULAR ± 1/2°   |              |                     |                               |                    |                |  |  |
|  |              | INCH                |                               | METRIC             |                |  |  |
| 3 PLACE  | ± .010       | ---                 |                               | ---                |                |  |  |
| 2 PLACE  | ± .015       | ± 0.25              |                               | ---                |                |  |  |
| 1 PLACE  | ---          | ± 0.38              |                               | ---                |                |  |  |
| DRAWING WHERE APPLICABLE MUST REMAIN WITHIN DIMENSIONS |              |                     |                               |                    |                |  |  |
| DRWG. BY: DJB  | CHK'D BY: DB | FILE NAME: S70013X2 | DRWG. NO.: SD-70013-0001-1050 | SHEET NO.: 2       | DATE: 06/25/86 | U.S.A.   |  |
| SCALE: 2:1   |              | SEE CHART           |                               | MOLEX INCORPORATED |                | MOL. INC. AND SHOULD NOT BE USED WITHOUT WRITTEN PERMISSION. |  |