

PLEASE CHECK WWW.MOLEX.COM FOR LATEST PART INFORMATION

Part Number: [0475968834](#)
Status: **Active**
Description: LGA 1156 ILM and Back-plate Assembly for 1U Server, Shepherd Hook Lever, Lead-free, Halogen-free

Documents:

[Drawing \(PDF\)](#) [RoHS Certificate of Compliance \(PDF\)](#)
[Product Specification PS-47596-001 \(PDF\)](#)

General

Product Family	Processor Sockets
Series	47596
Component Type	Back Plate, ILM Assembly
Product Name	LGA1156

Physical

Circuits (Loaded)	N/A
Durability (mating cycles max)	20
Material - Metal	Stainless Steel, Steel
Material - Plating Mating	Nickel
Packaging Type	Tray
Pitch - Mating Interface (in)	0.000 In
Pitch - Mating Interface (mm)	0.00 mm
Temperature Range - Operating	-25°C to +100°C
Termination Interface: Style	Screw or Lug

Electrical

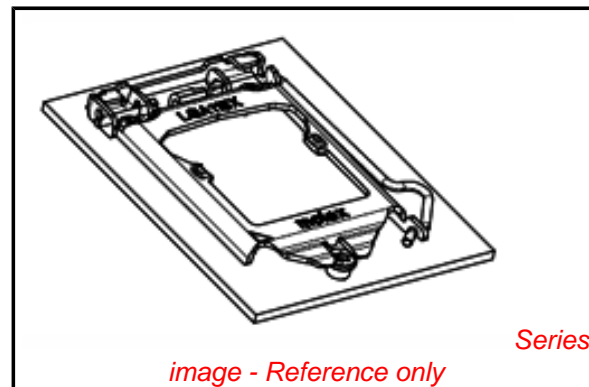
Current - Maximum per Contact	N/A
Voltage - Maximum	N/A

Material Info

Reference - Drawing Numbers

Packaging Specification	PK-47596-003
Product Specification	PS-47596-001
Sales Drawing	SD-47596-934

Intel and Nehalem and relevant names are either trademarks or registered trademarks of Intel Corporation



EU RoHS

**ELV and RoHS
Compliant**
REACH SVHC
 Not Reviewed
**Halogen-Free
Status**

China RoHS



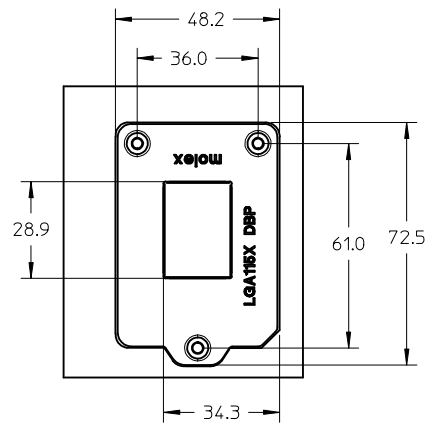
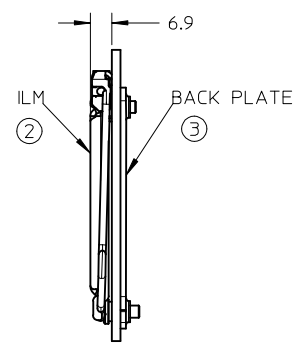
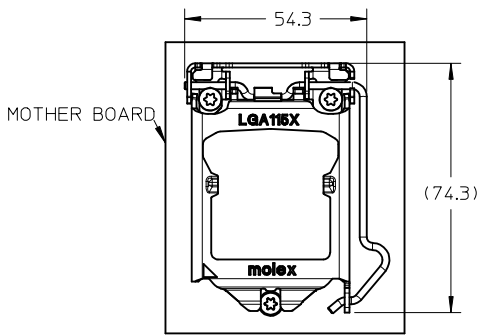
**Need more information on product
environmental compliance?**

Email productcompliance@molex.com
 For a multiple part number RoHS Certificate of Compliance, [click here](#)

Please visit the [Contact Us](#) section for any non-product compliance questions.

Search Parts in this Series
[47596Series](#)

Mates With
 Intel* Nehalem Processor



SOCKET 115X AND PACK PLATE ①	
PART NO.	(1)47596-8834(W/ HF) (2)47596-9934(W/O HF)

ILM ASSEMBLY ②	
PART NO.	(1)47596-8811(W/ HF) (2)47596-9911(W/O HF)

BACK PLATE ③	
PART NO.	(1)47596-8833(W/ HF) (2)47596-9933(W/O HF)

BILL OF MATERIAL		
ITEM NO	QTY	DESCRIPTION
①	1	SOCKET ILM AND BACK PLATE ASSY(47596-***34)
②	1	SOCKET ILM ASSEMBLY (47596-***11)
③	1	SOCKET H1 BACK PLATE ASSY W/SCREWS (47596-***33)

NOTES

PARTS ARE COMPLIANT TO RoHS DIRECTIVE 2002/95/EC AND ELV 2000/53/EC.

47596-8834	WITH HALOGEN FREE
47596-9934	WITHOUT HALOGEN FREE
PART NO.	DESCRIPTION

ENTER DESCRIPTION EC NO: SH2010-0085 DRWN: JZHANG11 2009/09/25 CHKD: 2009/09/25 APPR: MFDENG 2009/10/12	QUALITY SYMBOLS	DESCRIPTION
	$F_A=0$	
	$F_C=0$	
	$F_P=0$	
A	REV	

GENERAL TOLERANCES (UNLESS SPECIFIED)	
	mm INCH
4 PLACES	± --- ± ---
3 PLACES	± --- ± ---
2 PLACES	± 0.15 ± ---
1 PLACE	± 0.25 ± ---
ANGULAR ±1/2°	
DRAFT WHERE APPLICABLE MUST REMAIN WITHIN DIMENSIONS	

DIMENSION STYLE MM ONLY	
DRAWN BY	DATE
CHECKED BY	DATE
APPROVED BY	DATE
MATERIAL NO. SEE TABLE	
SIZE A3	THIS DRAWING CONTAINS INFORMATION THAT IS PROPRIETARY TO MOLEX INCORPORATED AND SHOULD NOT BE USED WITHOUT WRITTEN PERMISSION

SCALE 1:1.5	DESIGN UNITS METRIC	THIRD ANGLE PROJECTION
TITLE SOCKET 115X ILM AND BACK PLATE ASSEMBLY		
MOLEX INCORPORATED		SHEET NO. 1 OF 1
DOCUMENT NO. SD-47596-934		