

# SMD POWER INDUCTORS

MODEL NO. : SMI-43 SERIES (CD43 COMPATIBLE)

**FEATURES:**

- \* SUPERIOR QUALITY FOR AN AUTOMATED PRODUCTION LINE.
- \* PICK AND PLACE COMPATIBLE.
- \* TAPE AND REEL PACKING.



**APPLICATION :**

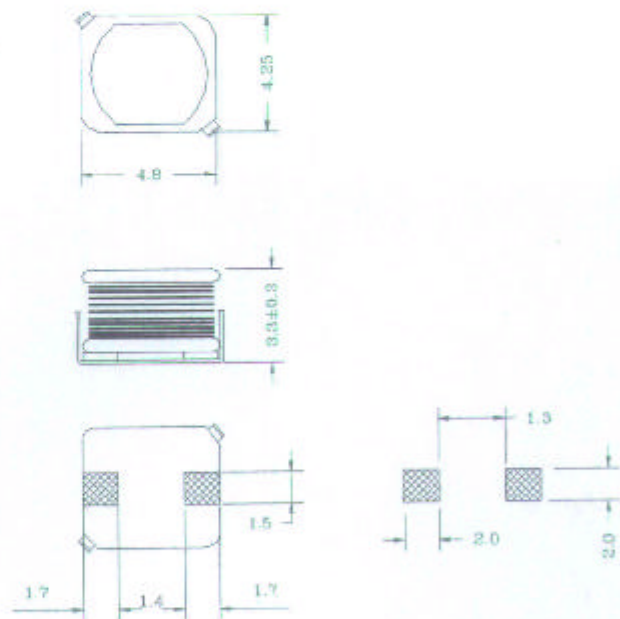
- \* NOTEBOOK COMPUTERS.
- \* DC-DC CONVERTORS.
- \* DC-AC INVERTERS.
- \* ELECTRONICS DICTIONARIES
- \* DIGITAL STILL CAMERAS.

**ELECTRICAL SPECIFICATION:**

(UNIT:mm)

PART NO.	INDUCTANCE (uH)	D.C.R. MAX (Ω)	RATED CURRENT (A)
SMI-43-1R0	1.0	0.0487	2.56
SMI-43-1R4	1.4	0.0562	2.52
SMI-43-1R8	1.8	0.0637	1.95
SMI-43-2R2	2.2	0.0712	1.75
SMI-43-2R7	2.7	0.0787	1.58
SMI-43-3R3	3.3	0.0862	1.44
SMI-43-3R9	3.9	0.0937	1.33
SMI-43-4R7	4.7	0.1087	1.15
SMI-43-5R6	5.6	0.1257	0.99
SMI-43-6R8	6.8	0.1312	0.95
SMI-43-8R2	8.2	0.1462	0.84
SMI-43-100	10	0.182	1.04
SMI-43-120	12	0.210	0.97
SMI-43-150	15	0.235	0.85
SMI-43-180	18	0.338	0.74
SMI-43-220	22	0.378	0.68
SMI-43-270	27	0.522	0.62
SMI-43-330	33	0.540	0.56
SMI-43-390	39	0.587	0.52
SMI-43-470	47	0.844	0.44
SMI-43-560	56	0.937	0.42
SMI-43-680	68	1.117	0.37

**PHYSICAL DIMENSION :**



TOLERANCE : ±0.3

PCB PATTERN

NOTE (1): TEST FREQUENCY: 100KHz, 1VRMS.

NOTE (2): 1.0 ~ 27uH ± 20% , 33~68uH ± 10%.

NOTE (3): THIS INDICATES THE VALUE OF DC CURRENT WHICH THE INDUCTANCE IS 10% LOWER THAN ITS INITIAL VALUE AND/OR ΔT=40°C UNDER THIS DC CURRENT BIAS.