

THIS DRAWING IS UNPUBLISHED.

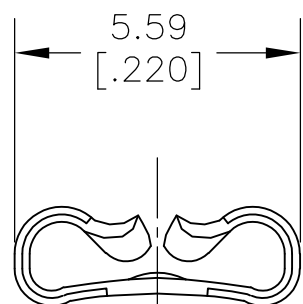
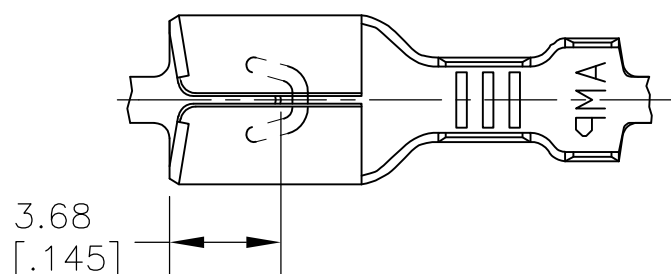
RELEASED FOR PUBLICATION

ALL RIGHTS RESERVED.

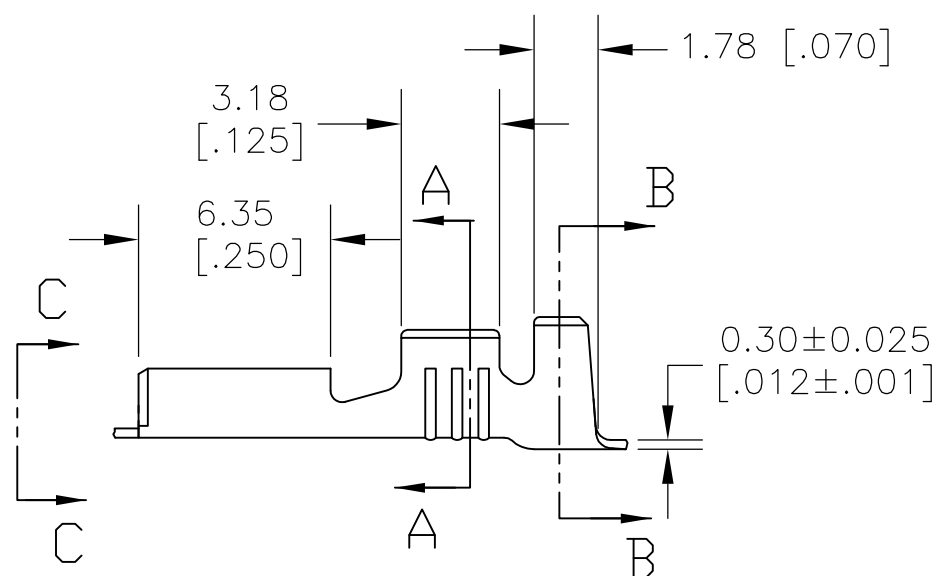
© COPYRIGHT - By -

LOC	DIST	REVISIONS					
		P	LTR	DESCRIPTION	DATE	DWN	APVD
-	-		A2	REVISED PER ECR-12-007832	30APR12	HMR	PD

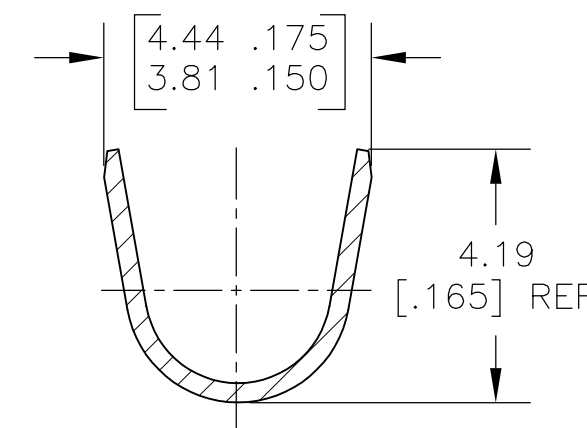
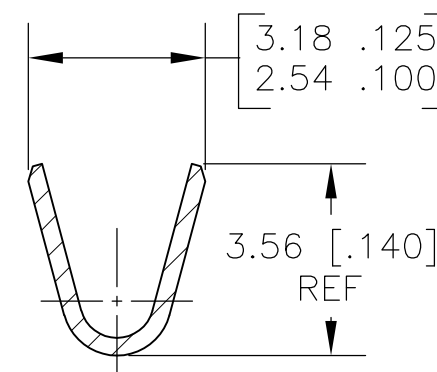
- 1 CONTINUOUS STRIP ON REELS.
- 2 WIRE SIZE #20-#16 AWG
- 3 INSULATION RANGE 2.29-3.30 [.090-.130] DIA
- 4 MATING TAB THK 0.51±0.025 [.020±.001]



VIEW C-C
SCALE 8:1



SECTION A-A
SCALE 8:1



SECTION B-B
SCALE 8:1

1742841-1

PART NO

THIS DRAWING IS A CONTROLLED DOCUMENT.		DWN jr_ruth 24AUG10	TE Connectivity																
DIMENSIONS: MM [INCHES]		CHK PETE DESANTIS 24AUG10				NAME RECEPTACLE , FASTON, .187 SERIES													
TOLERANCES UNLESS OTHERWISE SPECIFIED:		APVD PETE DESANTIS 24AUG10	PRODUCT SPEC -																
<table border="0"> <tr><td>0 PLC</td><td>± -</td></tr> <tr><td>1 PLC</td><td>± -</td></tr> <tr><td>2 PLC</td><td>± 0.25 [.010]</td></tr> <tr><td>3 PLC</td><td>± -</td></tr> <tr><td>4 PLC</td><td>± -</td></tr> <tr><td>ANGLES</td><td>± 5°</td></tr> </table>		0 PLC	± -	1 PLC	± -	2 PLC	± 0.25 [.010]	3 PLC	± -	4 PLC	± -	ANGLES	± 5°	APPLICATION SPEC -		SIZE A3	CAGE CODE 00779	DRAWING NO C-1742841	RESTRICTED TO -
0 PLC	± -																		
1 PLC	± -																		
2 PLC	± 0.25 [.010]																		
3 PLC	± -																		
4 PLC	± -																		
ANGLES	± 5°																		
MATERIAL CR STEEL		FINISH NICKEL PLATE		WEIGHT -		CUSTOMER DRAWING													
				SCALE 4:1	SHEET 1 OF 1	REV A2													