

**Document Title****1Mx8 bit Low Power and Low Voltage CMOS Static RAM****Revision History**

<b><u>Revision No.</u></b>	<b><u>History</u></b>	<b><u>Draft Date</u></b>	<b><u>Remark</u></b>
0.0	Initial draft	June 22, 1999	Advance
1.0	Finalize - Adopt New Code system. - Improve $V_{IN}$ , $V_{OUT}$ max. on ABSOLUTE MAXIMUM RATINGS from 7.0V to $V_{CC}+0.5V$ . - Change $I_{CC}$ : from 12 to 10mA - Change $I_{CC1}$ : from 10 to 12mA	February 29, 2000	Final

---

The attached datasheets are provided by SAMSUNG Electronics. SAMSUNG Electronics CO., LTD. reserve the right to change the specifications and products. SAMSUNG Electronics will answer to your questions about device. If you have any questions, please contact the SAMSUNG branch offices.

---

## 1Mx8 bit Low Power and Low Voltage CMOS Static RAM

### FEATURES

- Process Technology: TFT
- Organization: 1M x8
- Power Supply Voltage: 4.5~5.5V
- Low Data Retention Voltage: 2.0V(Min)
- Three state output and TTL Compatible
- Package Type: 44-TSOP2-400F/R

### GENERAL DESCRIPTION

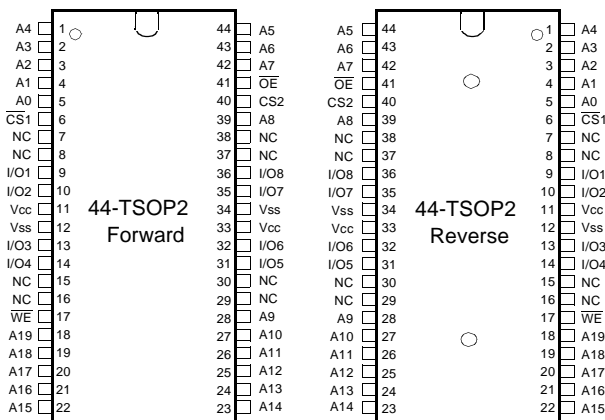
The K6T8008C2M families are fabricated by SAMSUNG's advanced CMOS process technology. The families support industrial operating temperature ranges for user flexibility of system design. The families also support low data retention voltage for battery back-up operation with low data retention current.

### PRODUCT FAMILY

Product Family	Operating Temperature	Vcc Range	Speed	Power Dissipation		PKG Type
				Standby (I <sub>SB1</sub> , Max)	Operating (I <sub>CC2</sub> , Max)	
K6T8008C2M-B	Commercial(0~70°C)	4.5~5.5V	55 <sup>1)</sup> /70ns	50μA	70mA	44-TSOP2-400F/R
K6T8008C2M-F	Industrial(-40~85°C)			80μA		

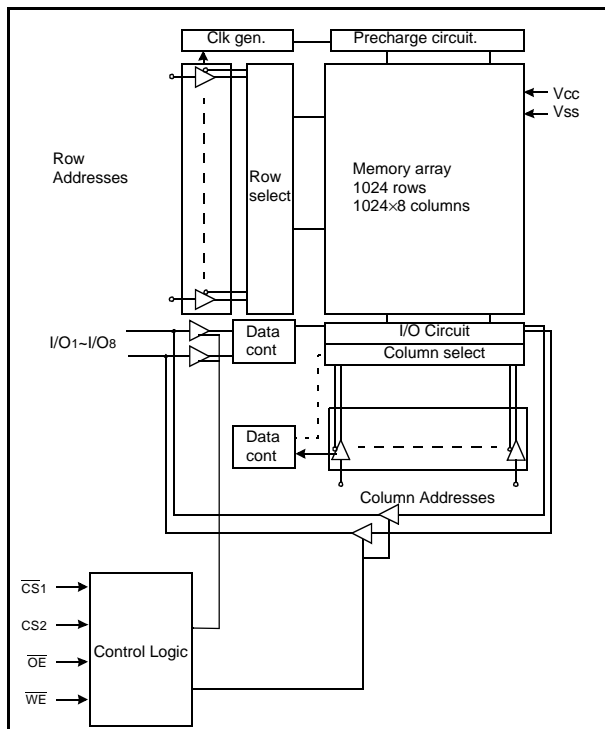
1. The parameter is measured with 50pF test load.

### PIN DESCRIPTION



Name	Function	Name	Function
$\overline{CS1}, CS2$	Chip Select Inputs	Vcc	Power
$\overline{OE}$	Output Enable Input	Vss	Ground
$\overline{WE}$	Write Enable Input	A0~A19	Address Inputs
I/O1~I/O8	Data Inputs/Outputs	NC	No Connect

### FUNCTIONAL BLOCK DIAGRAM



SAMSUNG ELECTRONICS CO., LTD. reserves the right to change products and specifications without notice.

## PRODUCT LIST

Commercial Temperature Products(0~70°C)		Industrial Temperature Products(-40~85°C)	
Part Name	Function	Part Name	Function
K6T8008C2M-TB55	44-TSOP2-F, 55ns, 5.0V, LL	K6T8008C2M-TF55	44-TSOP2-F, 55ns, 5.0V, LL
K6T8008C2M-TB70	44-TSOP2-F, 70ns, 5.0V, LL	K6T8008C2M-TF70	44-TSOP2-F, 70ns, 5.0V, LL
K6T8008C2M-RB55	44-TSOP2-R, 55ns, 5.0V, LL	K6T8008C2M-RF55	44-TSOP2-R, 55ns, 5.0V, LL
K6T8008C2M-RB70	44-TSOP2-R, 70ns, 5.0V, LL	K6T8008C2M-RF70	44-TSOP2-R, 70ns, 5.0V, LL

## FUNCTIONAL DESCRIPTION

CS <sub>1</sub>	CS <sub>2</sub>	OE	WE	I/O <sub>1-8</sub>	Mode	Power
H	X	X	X	High-Z	Deselected	Standby
X	L	X	X	High-Z	Deselected	Standby
L	H	H	H	High-Z	Output Disabled	Active
L	H	L	H	Dout	Read	Active
L	H	X	L	Din	Write	Active

Note: X means don't care. (Must be low or high state)

## ABSOLUTE MAXIMUM RATINGS<sup>1)</sup>

Item	Symbol	Ratings	Unit	Remark
Voltage on any pin relative to Vss	V <sub>IN</sub> , V <sub>OUT</sub>	-0.5 to V <sub>CC</sub> +0.5V	V	-
Voltage on Vcc supply relative to Vss	V <sub>CC</sub>	-0.3 to 7.0	V	-
Power Dissipation	P <sub>D</sub>	1.0	W	-
Storage temperature	T <sub>STG</sub>	-65 to 150	°C	-
Operating Temperature	T <sub>A</sub>	0 to 70	°C	K6T8008C2M-B
		-40 to 85	°C	K6T8008C2M-F

1. Stresses greater than those listed under "Absolute Maximum Ratings" may cause permanent damage to the device. Functional operation should be restricted to recommended operating condition. Exposure to absolute maximum rating conditions for extended periods may affect reliability.

## RECOMMENDED DC OPERATING CONDITIONS<sup>1)</sup>

Item	Symbol	Product	Min	Typ	Max	Unit
Supply voltage	V <sub>CC</sub>	K6T8008C2M Family	4.5	5.0	5.5	V
Ground	V <sub>SS</sub>	All Family	0	0	0	V
Input high voltage	V <sub>IH</sub>	K6T8008C2M Family	2.2	-	V <sub>CC</sub> +0.5 <sup>2)</sup>	V
Input low voltage	V <sub>IL</sub>	K6T8008C2M Family	-0.5 <sup>3)</sup>	-	0.8	V

Note:

- Commercial Product: T<sub>A</sub>=0 to 70°C, otherwise specified.  
Industrial Product: T<sub>A</sub>=-40 to 85°C, otherwise specified.
- Overshoot: V<sub>CC</sub>+3.0V in case of pulse width ≤30ns.
- Undershoot: -3.0V in case of pulse width ≤30ns.
- Overshoot and undershoot are sampled, not 100% tested.

## CAPACITANCE<sup>1)</sup> (f=1MHz, T<sub>A</sub>=25°C)

Item	Symbol	Test Condition	Min	Max	Unit
Input capacitance	C <sub>IN</sub>	V <sub>IN</sub> =0V	-	8	pF
Input/Output capacitance	C <sub>IO</sub>	V <sub>IO</sub> =0V	-	10	pF

1. Capacitance is sampled, not 100% tested.

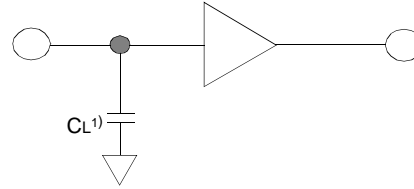
## DC AND OPERATING CHARACTERISTICS

Item	Symbol	Test Conditions	Min	Typ	Max	Unit	
Input leakage current	I <sub>LI</sub>	V <sub>IN</sub> =V <sub>SS</sub> to V <sub>CC</sub>	-1	-	1	μA	
Output leakage current	I <sub>LO</sub>	$\overline{CS}_1=V_{IH}$ , CS <sub>2</sub> =V <sub>IL</sub> or $\overline{OE}=V_{IH}$ or $\overline{WE}=V_{IL}$ , V <sub>IO</sub> =V <sub>SS</sub> to V <sub>CC</sub>	-1	-	1	μA	
Operating power supply current	I <sub>CC</sub>	I <sub>IO</sub> =0mA, $\overline{CS}_1=V_{IL}$ , CS <sub>2</sub> =V <sub>IH</sub> , $\overline{WE}=V_{IH}$ , V <sub>IN</sub> =V <sub>IH</sub> or V <sub>IL</sub>	-	-	10	mA	
Average operating current	I <sub>CC1</sub>	Cycle time=1μs, 100%duty, I <sub>IO</sub> =0mA, $\overline{CS}_1 \leq 0.2V$ , CS <sub>2</sub> ≥V <sub>CC</sub> -0.2V, V <sub>IN</sub> ≤0.2V or V <sub>IN</sub> ≥V <sub>CC</sub> -0.2V	-	-	12	mA	
	I <sub>CC2</sub>	Cycle time=Min, I <sub>IO</sub> =0mA, 100% duty, $\overline{CS}_1=V_{IL}$ , CS <sub>2</sub> =V <sub>IH</sub> , V <sub>IN</sub> =V <sub>IL</sub> or V <sub>IH</sub>	-	-	70	mA	
Output low voltage	V <sub>OL</sub>	I <sub>OL</sub> = 2.1mA	-	-	0.4	V	
Output high voltage	V <sub>OH</sub>	I <sub>OH</sub> = -1.0mA	2.4	-	-	V	
Standby Current(TTL)	I <sub>SB</sub>	$\overline{CS}_1=V_{IH}$ , CS <sub>2</sub> =V <sub>IL</sub> , Other inputs=V <sub>IH</sub> or V <sub>IL</sub>	-	-	3	mA	
Standby Current(CMOS)	I <sub>SB1</sub>	$\overline{CS} \geq V_{CC}-0.2V$ , Other inputs=0~V <sub>CC</sub>	K6T8008C2M-B	-	-	50	μA
			K6T8008C2M-F	-	-	80	

## AC OPERATING CONDITIONS

### TEST CONDITIONS (Test Load and Input/Output Reference)

Input pulse level: 0.4 to 2.2V  
 Input rising and falling time: 5ns  
 Input and output reference voltage: 1.5V  
 Output load(see right):  $C_L=100\text{pF}+1\text{TTL}$   
 $C_L=50\text{pF}+1\text{TTL}$



1. Including scope and jig capacitance

## AC CHARACTERISTICS ( $V_{CC}=4.5\sim 5.5\text{V}$ , Commercial product: $T_A=0$ to $70^\circ\text{C}$ , Industrial product: $T_A=-40$ to $85^\circ\text{C}$ )

Parameter List		Symbol	Speed Bins				Units
			55ns		70ns		
			Min	Max	Min	Max	
Read	Read Cycle Time	t <sub>RC</sub>	55	-	70	-	ns
	Address Access Time	t <sub>AA</sub>	-	55	-	70	ns
	Chip Select to Output	t <sub>CO</sub>	-	55	-	70	ns
	Output Enable to Valid Output	t <sub>OE</sub>	-	25	-	35	ns
	Chip Select to Low-Z Output	t <sub>LZ</sub>	10	-	10	-	ns
	Output Enable to Low-Z Output	t <sub>OLZ</sub>	5	-	5	-	ns
	Chip Disable to High-Z Output	t <sub>HZ</sub>	0	20	0	25	ns
	Output Disable to High-Z Output	t <sub>OHZ</sub>	0	20	0	25	ns
	Output Hold from Address Change	t <sub>OH</sub>	10	-	10	-	ns
Write	Write Cycle Time	t <sub>WC</sub>	55	-	70	-	ns
	Chip Select to End of Write	t <sub>CW</sub>	45	-	60	-	ns
	Address Set-up Time	t <sub>AS</sub>	0	-	0	-	ns
	Address Valid to End of Write	t <sub>AW</sub>	45	-	60	-	ns
	Write Pulse Width	t <sub>WP</sub>	40	-	50	-	ns
	Write Recovery Time	t <sub>WR</sub>	0	-	0	-	ns
	Write to Output High-Z	t <sub>WHZ</sub>	0	20	0	20	ns
	Data to Write Time Overlap	t <sub>DW</sub>	25	-	30	-	ns
	Data Hold from Write Time	t <sub>DH</sub>	0	-	0	-	ns
End Write to Output Low-Z	t <sub>OW</sub>	5	-	5	-	ns	

## DATA RETENTION CHARACTERISTICS

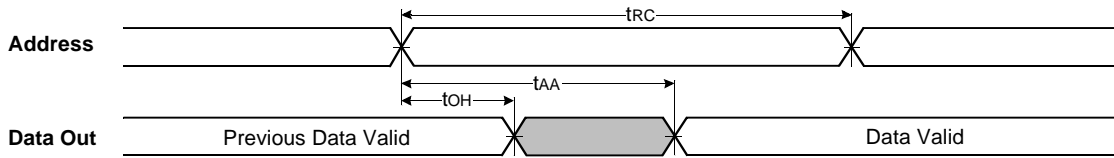
Item	Symbol	Test Condition	Min	Typ	Max	Unit
V <sub>CC</sub> for data retention	V <sub>DR</sub>	$\overline{CS}_1 \geq V_{CC}-0.2\text{V}^{(1)}$	2.0	-	5.5	V
Data retention current	I <sub>DR</sub>	$V_{CC}=3.0\text{V}, \overline{CS}_1 \geq V_{CC}-0.2\text{V}^{(1)}$	-	-	20 <sup>(2)</sup>	μA
Data retention set-up time	t <sub>SDR</sub>	See data retention waveform	0	-	-	ms
Recovery time	t <sub>RDR</sub>		5	-	-	

1.  $\overline{CS}_1 \geq V_{CC}-0.2\text{V}, \overline{CS}_2 \geq V_{CC}-0.2\text{V}$  ( $\overline{CS}_1$  controlled) or  $\overline{CS}_2 \geq V_{CC}-0.2\text{V}$  ( $\overline{CS}_2$  controlled).

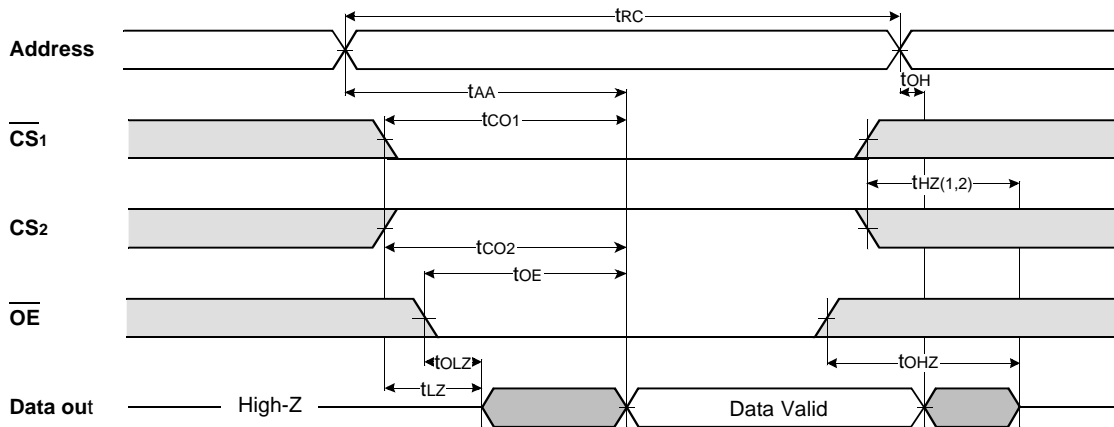
2. Industrial product=30μA

TIMING DIAGRAMS

TIMING WAVEFORM OF READ CYCLE(1) (Address Controlled,  $\overline{CS}_1 = \overline{OE} = V_{IL}$ ,  $CS_2 = \overline{WE} = V_{IH}$ )



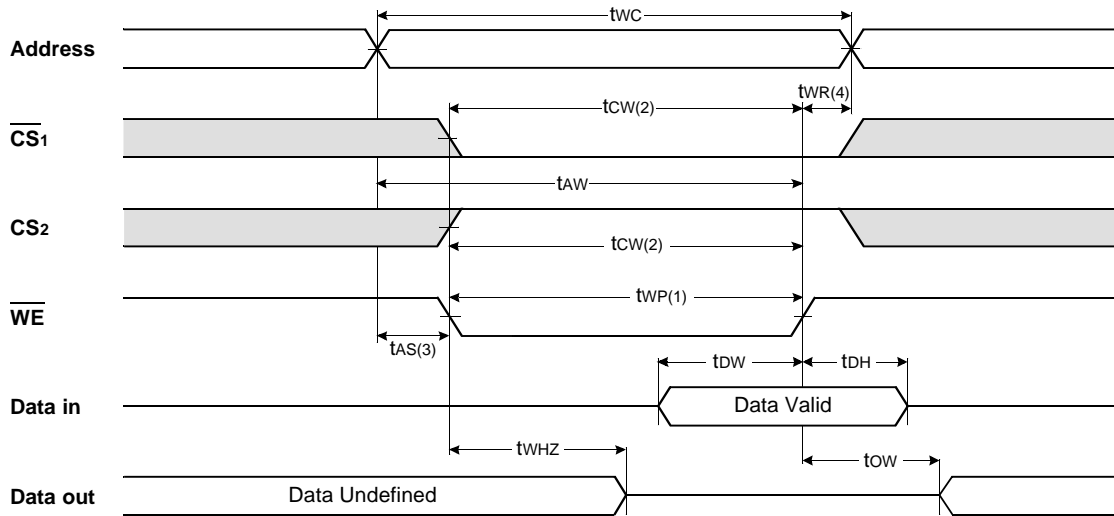
TIMING WAVEFORM OF READ CYCLE(2) ( $\overline{WE} = V_{IH}$ )



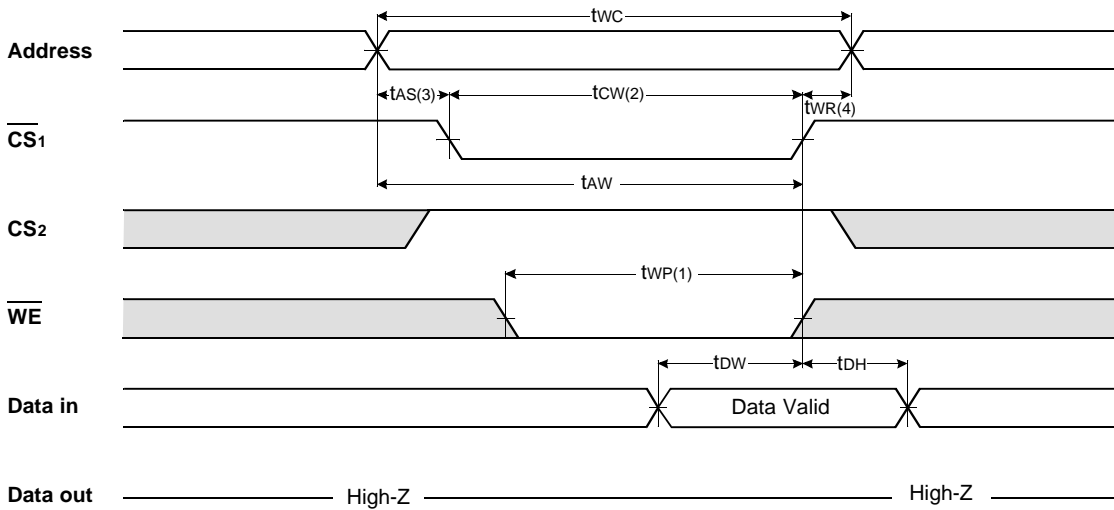
NOTES (READ CYCLE)

1.  $t_{HZ}$  and  $t_{OHZ}$  are defined as the time at which the outputs achieve the open circuit conditions and are not referenced to output voltage levels.
2. At any given temperature and voltage condition,  $t_{HZ}(\text{Max.})$  is less than  $t_{LZ}(\text{Min.})$  both for a given device and from device to device interconnection.

TIMING WAVEFORM OF WRITE CYCLE(1) ( $\overline{WE}$  Controlled)



TIMING WAVEFORM OF WRITE CYCLE(2) ( $\overline{CS1}$  Controlled)



TIMING WAVEFORM OF WRITE CYCLE(3) (CS<sub>2</sub> Controlled)

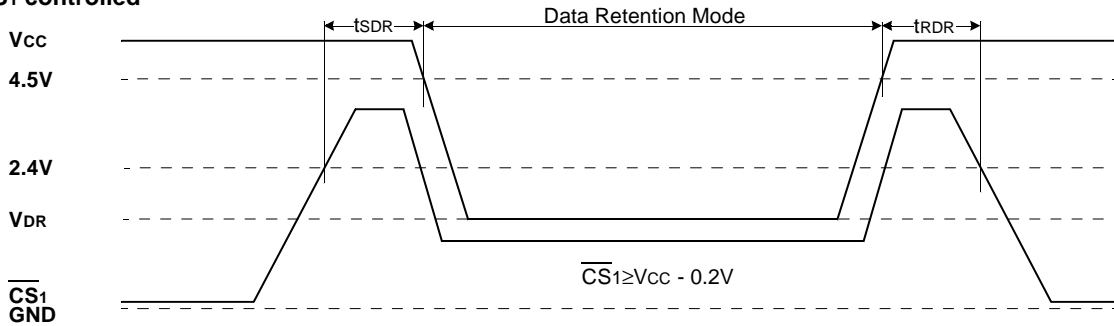


NOTES (WRITE CYCLE)

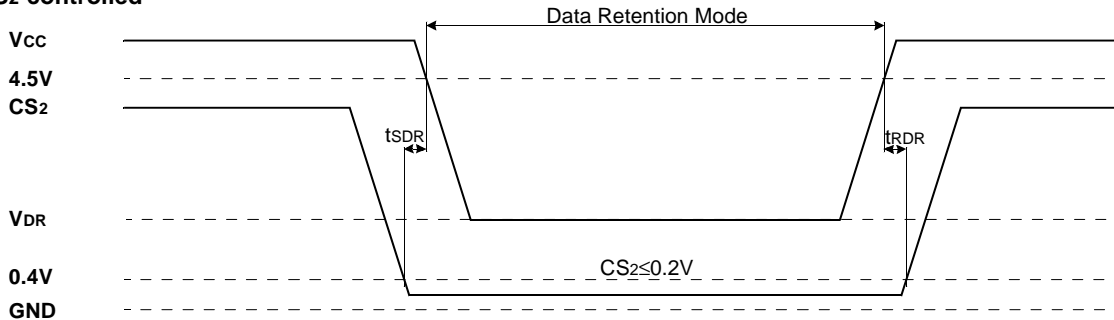
1. A write occurs during the overlap of a low  $\overline{CS}_1$ , a high  $CS_2$  and a low  $\overline{WE}$ . A write begins at the latest transition among  $\overline{CS}_1$  goes low,  $CS_2$  going high and  $\overline{WE}$  going low : A write ends at the earliest transition among  $CS_1$  going high,  $CS_2$  going low and  $\overline{WE}$  going high,  $t_{WP}$  is measured from the beginning of write to the end of write.
2.  $t_{CW}$  is measured from the  $\overline{CS}_1$  going low or  $CS_2$  going high to the end of write.
3.  $t_{AS}$  is measured from the address valid to the beginning of write.
4.  $t_{WR}$  is measured from the end of write to the address change.  $t_{WR}$  applied in case a write ends as  $\overline{CS}_1$  or  $\overline{WE}$  going high  $t_{WR2}$  applied in case a write ends as  $CS_2$  going to low.

DATA RETENTION WAVE FORM

CS<sub>1</sub> controlled



CS<sub>2</sub> controlled

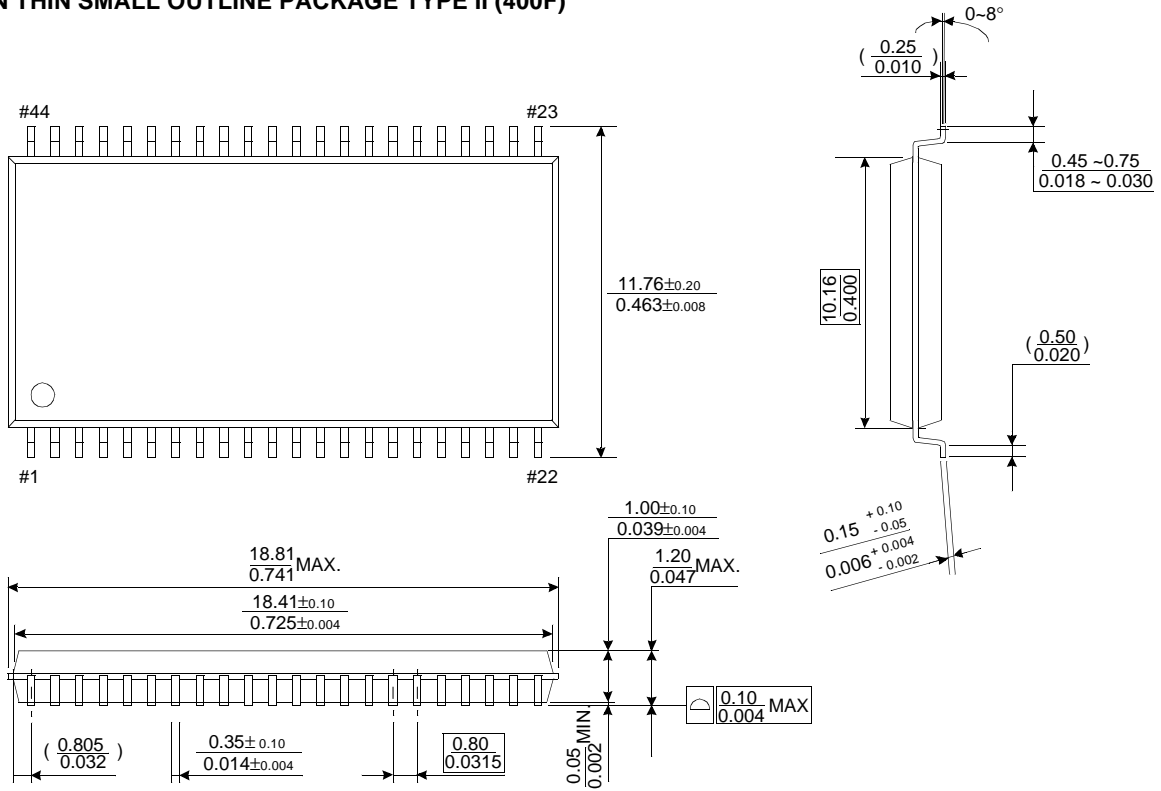




## PACKAGE DIMENSIONS

Unit: millimeters( inches)

### 44 PIN THIN SMALL OUTLINE PACKAGE TYPE II (400F)



### 44 PIN THIN SMALL OUTLINE PACKAGE TYPE II (400R)

