



MICRO SWITCH

FREPORT, ILLINOIS, U.S.A
A DIVISION OF HONEYWELL

FED. MFG. CODE 91929

SWITCH-BASIC

CATALOG LISTING

V3-19

CK-A1900

V3-19

M

DRAWING NUMBER

ISSUE
M12

REPLACES

RELEASE NO.

CHECK RCMAY 65

CHECK

REVISIONS
A CO20189
M B F
12 MAY 65

B CO21900
D W C
8 JAN 67

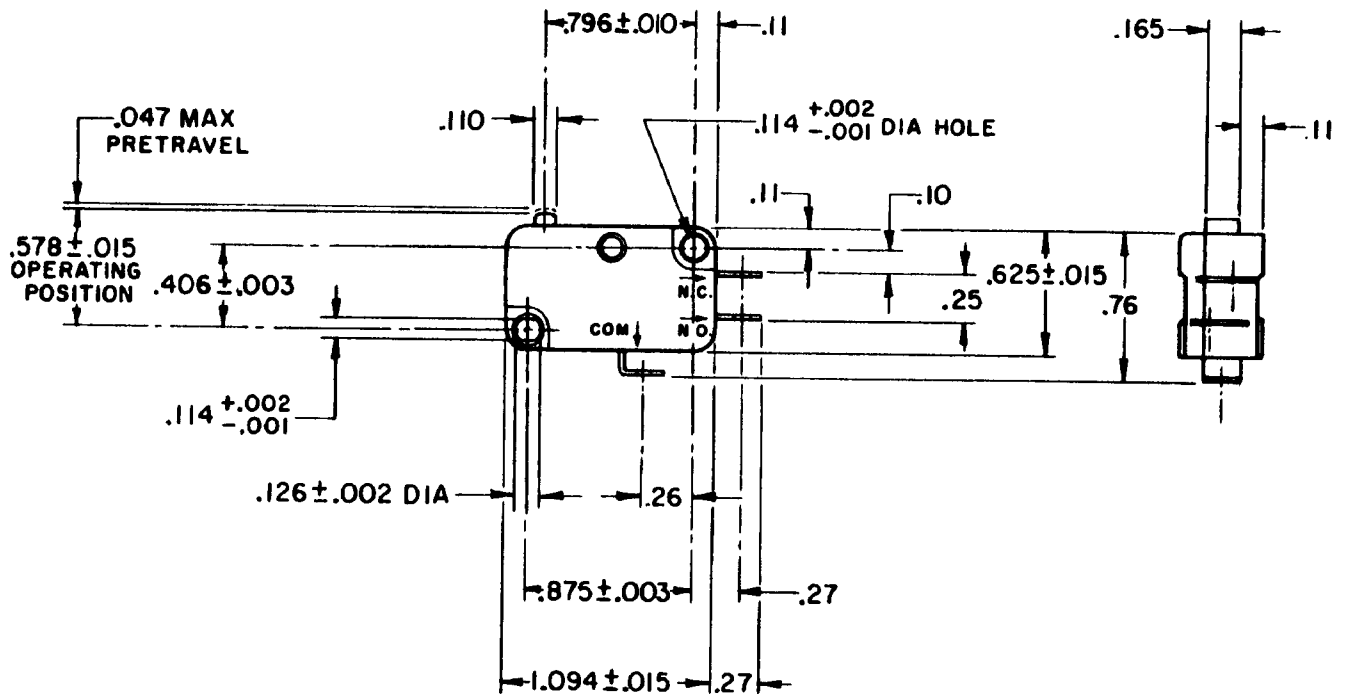
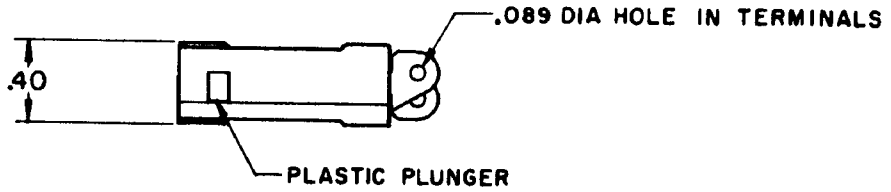
C CO31809
M E R
22 JAN 73

D CO39997
S W A
1 OCT 83

E CO74639
K D R
7 MAY 83

CHECK BCH 14 MAY 65

DRAWN
M B F 12 MAY 65



NOTE -
1- TERMINALS ARE PLATED FOR SOLDERING

THIS DRAWING COVERS A PROPRIETARY ITEM AND IS THE PROPERTY OF MICRO SWITCH, A DIVISION OF HONEYWELL. THIS DRAWING IS NOT TO BE COPIED OR USED WITHOUT THE APPROVAL OF MICRO SWITCH.

CHARACTERISTICS

OPERATING FORCE — — — — 6 — 14 OZ
 RELEASE TRAVEL — — — — .007 MIN
 RELEASE FORCE — — — — 4 OZ MIN
 DIFFERENTIAL TRAVEL — — .006 — .016
 OVERTRAVEL — — — — .040 MIN
 FREE POSITION — — — — .625 MAX

ELECTRICAL DATA

CONTACT ARRANGEMENT
S P D T

15.1A 1/2HP 125 OR 250 VAC
 1/2A 125 VDC, 1/4A 250 VDC
 5A 125 VAC "L"



SCALE FULL

DO NOT SCALE PRINT

UNLESS OTHERWISE NOTED

DIMENSIONS ARE IN INCHES

TOLERANCES ARE:

ONE PLACE	(.0)	±.030
TWO PLACE	(.00)	±.015
THREE PLACE	(.000)	±.005
ANGLES		±

WEIGHT .016 LB

FC-90378