



N Male to N Male Cable 60 Inch Length Using LMR-600 Coax

TECHNICAL DATA SHEET

PE3C0048-60

N Male to N Male Cable 60 Inch Length Using LMR-600 Coax

Configuration

Connector 1	N Male
Connector 2	N Male
Cable Type	LMR-600
Impedance, Ohms	50

Mechanical Specifications

Cable Assembly

Cable Type	LMR-600
------------	---------

Temperature

Temperature Operating Range, deg C	-40 to +85
Temperature Storage Range, deg C	-70 to +85

Size

Length, in [cm]	60 [152.4]
Diameter, in [mm]	0.95 [24.13]
Weight, lbs [g]	0.472 [214.1]
Cable Color	Black
One Time Minimum Bend Radius, in [mm]	1.5 [38.1]
Repeated Minimum Bend Radius, in [mm]	6 [152.4]

Cable

No of Shields	2
Dielectric Type	PE (F)
Jacket Material	PE
Jacket Diameter, in [mm]	0.59 [14.99]

Connector 1

Type	N Male
Configuration	Straight
Inner Conductor Material and Plating	Brass, Gold
Coupling Nut Material and Plating	Brass, Tri-Metal
Hex Size, mm	18
Torque, in-lbs [Nm]	9 [1.02]
Body Material and Plating	Brass, Tri-Metal
Dielectric Type	Teflon

Connector 2

Type	N Male
Configuration	Straight
Inner Conductor Material and Plating	Brass, Gold

Click the following link (or enter part number in "SEARCH" on website) to obtain additional part information including price, inventory and certifications: [N Male to N Male Cable 60 Inch Length Using LMR-600 Coax PE3C0048-60](#)

The information contained in this document is accurate to the best of our knowledge and representative of the part described herein. It may be necessary to make modifications to the part and/or the documentation of the part, in order to implement improvements. Pasternack reserves the right to make such changes as required. Unless otherwise stated, all specifications are nominal.



N Male to N Male Cable 60 Inch Length Using LMR-600 Coax

TECHNICAL DATA SHEET

PE3C0048-60

Coupling Nut Material and Plating	Brass, Tri-Metal
Hex Size, mm	18
Torque, in-lbs [Nm]	9 [1.02]
Body Material and Plating	Brass, Tri-Metal
Dielectric Type	Teflon

Compliance Certifications (visit www.Pasternack.com for current document)

Plotted and Other Data

Notes:

Values at 25 °C, sea level

N Male to N Male Cable 60 Inch Length Using LMR-600 Coax from Pasternack Enterprises has same day shipment for domestic and International orders. Our RF, microwave and fiber optic products maintain a 99% availability and are part of the broadest selection in the industry.

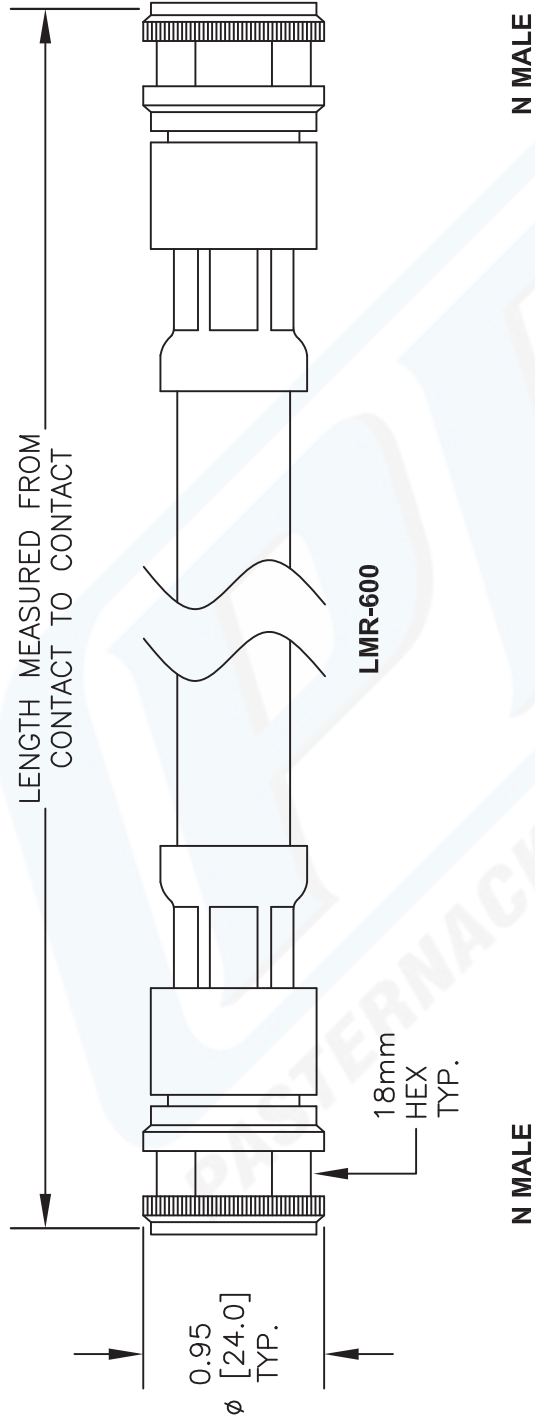
Click the following link (or enter part number in "SEARCH" on website) to obtain additional part information including price, inventory and certifications: [N Male to N Male Cable 60 Inch Length Using LMR-600 Coax PE3C0048-60](http://www.pasternack.com/n-male-n-male-lmr600-cable-assembly-pe3c0048-60)

URL: <http://www.pasternack.com/n-male-n-male-lmr600-cable-assembly-pe3c0048-60-p.aspx>

The information contained in this document is accurate to the best of our knowledge and representative of the part described herein. It may be necessary to make modifications to the part and/or the documentation of the part, in order to implement improvements. Pasternack reserves the right to make such changes as required. Unless otherwise stated, all specifications are nominal.

PE3C0048-60 CAD Drawing

N Male to N Male Cable 60 Inch Length Using LMR-600 Coax



How To Order		Part # Ext.	Length In Inches	Part # Ext.	Length In Centimeters
Part Number Configuration PE3 [zzz] [yy] - [xx] [uu] 00 - 99999 LF = RoHS Compliant < Blank > = Standard Note: LF applies only to RF cables		-12	12"	-25CM	25Cm
Examples PE3000LF-100 PE3000-100 PE3000LF-100CM PE3000-100CM		-24	24"	-50CM	50Cm
CM = Centimeters < Blank > = Inches _____ Length		-36	36"	-75CM	75Cm
		-48	48"	-100CM	100Cm
		-60	60"	-125CM	125Cm
		-xx	Custom Length	-xxCM	Custom Length

NOTES:
 1. UNLESS OTHERWISE SPECIFIED ALL DIMENSIONS ARE NOMINAL.
 2. ALL SPECIFICATIONS ARE SUBJECT TO CHANGE WITHOUT NOTICE AT ANY TIME.
 3. DIMENSIONS ARE IN INCHES [mm].
 4. LENGTH TOLERANCE IS ± 1.5% OR 3/8", WHICHEVER IS GREATER.

DWG TITLE
PE3C0048

PE PASTERNAK
 Pasternack Enterprises, Inc.
 P.O. Box 16759 | Irvine | CA | 92623
Phone: (949) 261-1920 | **Fax:** (949) 261-7451
Website: www.pasternack.com | **E-Mail:** sales@pasternack.com

FSCM NO. 53919	CAD FILE 013113	SCALE N/A	SIZE A	2233
----------------	-----------------	-----------	--------	------