

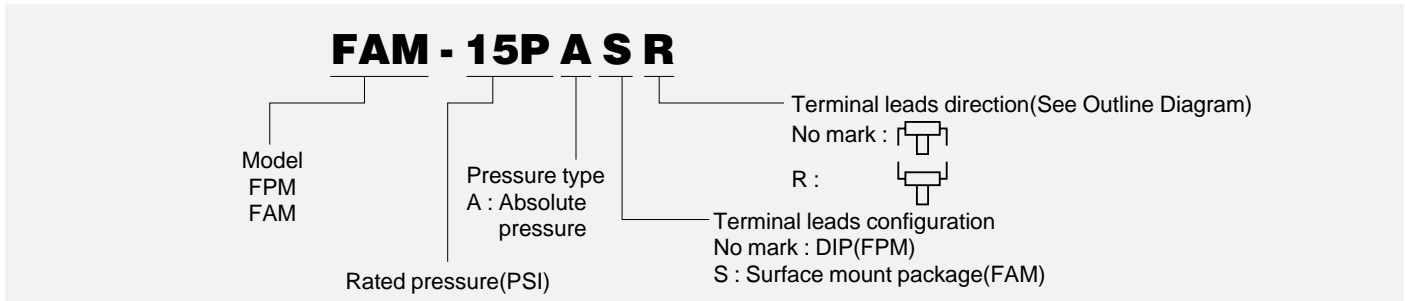
## Features

- Dual-In-line-Package(DIP)or SMD, Easy to mount on PCB
- Barometric pressure measurable

## Applications

- Industrial instrumentation
- Medical device
- Barometer, Altimeter
- Altitude compensation

## Part number for ordering



Pressure type	Absolute pressure	
	FPM	FAM
Model		
Package configuration	Dual-In-line-Package(DIP)	Surface mount package

Measurable pressure range(kPa)	Part number for ordering		
-66.7~+66.7	FPM-15PA	FPM-15PAR	FAM-15PASR

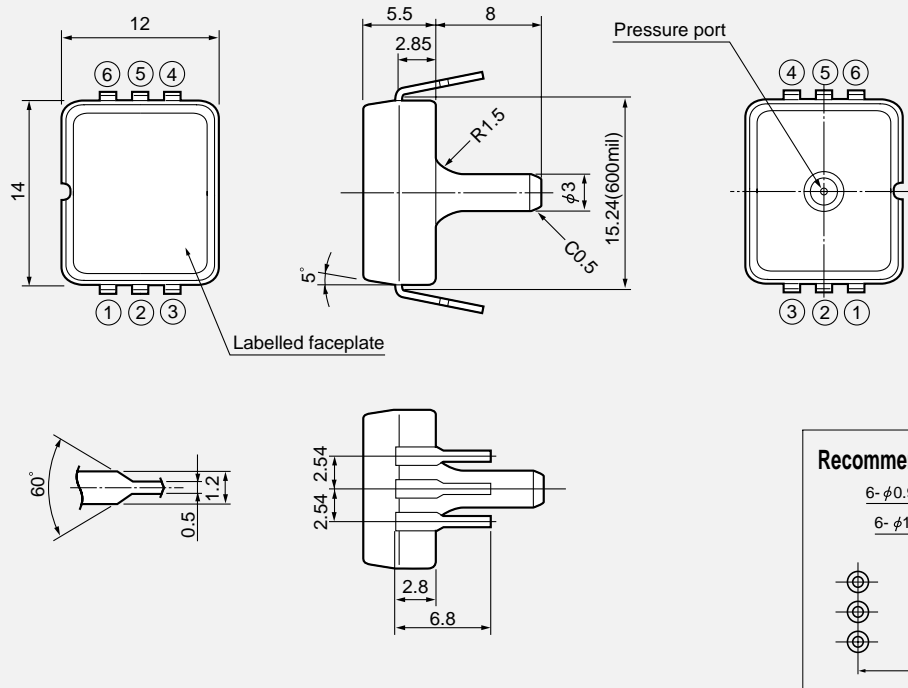
## Specifications

Model/Rated pressure	15PA	Unit
<b>Recommended operating conditions</b>		
Pressure type	Absolute pressure	—
Rated pressure	34.66~168.0	kPa·abs
	0.3535~1.713	kg/cm <sup>2</sup> ·abs
Measurable pressure range	0~168.0	kPa·abs
Pressure media	Non-corrosive gas	—
Excitation current (Constant)	1.5	mADC
<b>Absolute maximum rating</b>		
Maximum load pressure	Twice of rated pressure	—
Maximum excitation current	3	mADC
Operating temperature	-20~100	°C
Storage temperature	-40~120	°C
Operating humidity	30~80 (No dew condensation)	%RH
<b>Electric performances/characteristics (Excitation current I=1.5mA constant, Ambient temperature Ta=25°C)</b>		
Full scale span voltage	80~160	mV
Offset voltage	50~130 (at 101.3kPa·abs)	mV
Bridge impedance	4000~6000	Ω
<b>Mechanical response time</b>		
	2 (For the reference)	msec
Accuracy	Temperature sensitivity of offset (TSO)	±3
	Temperature coefficient of sensitivity (TCS)	2.5
	Linearity	±0.3
	Pressure hysteresis	±0.2

■ Outline dimensions ■

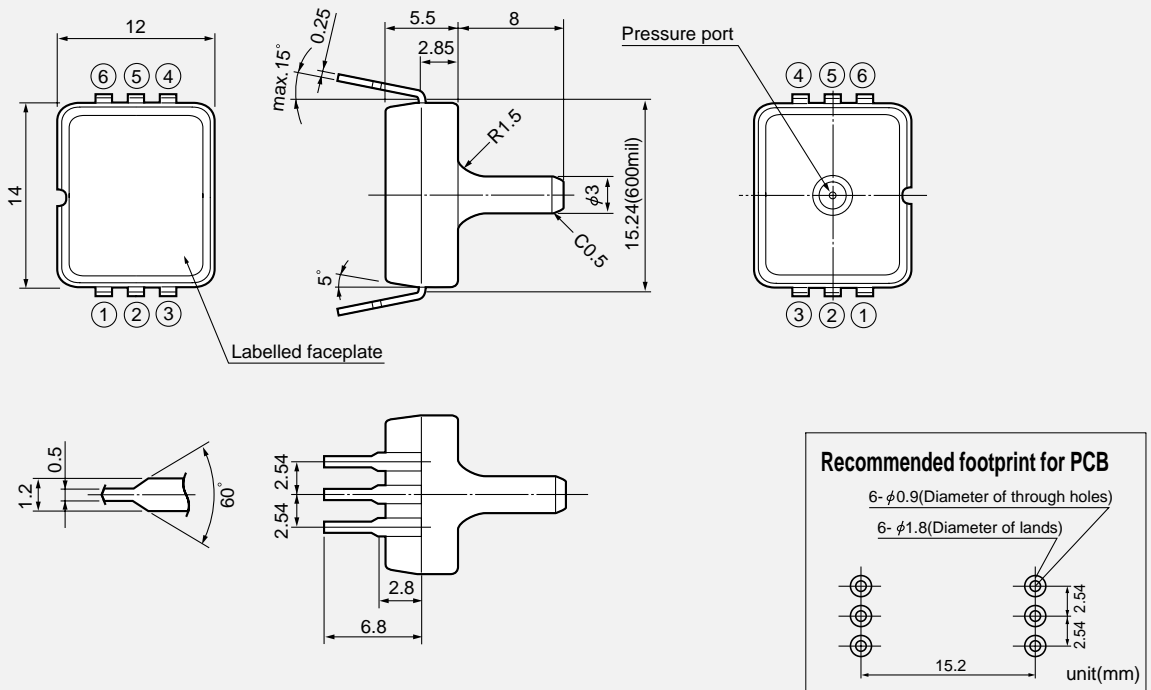
Unit (mm)

FPM (Absolute pressure)



FPM-R (Absolute pressure)

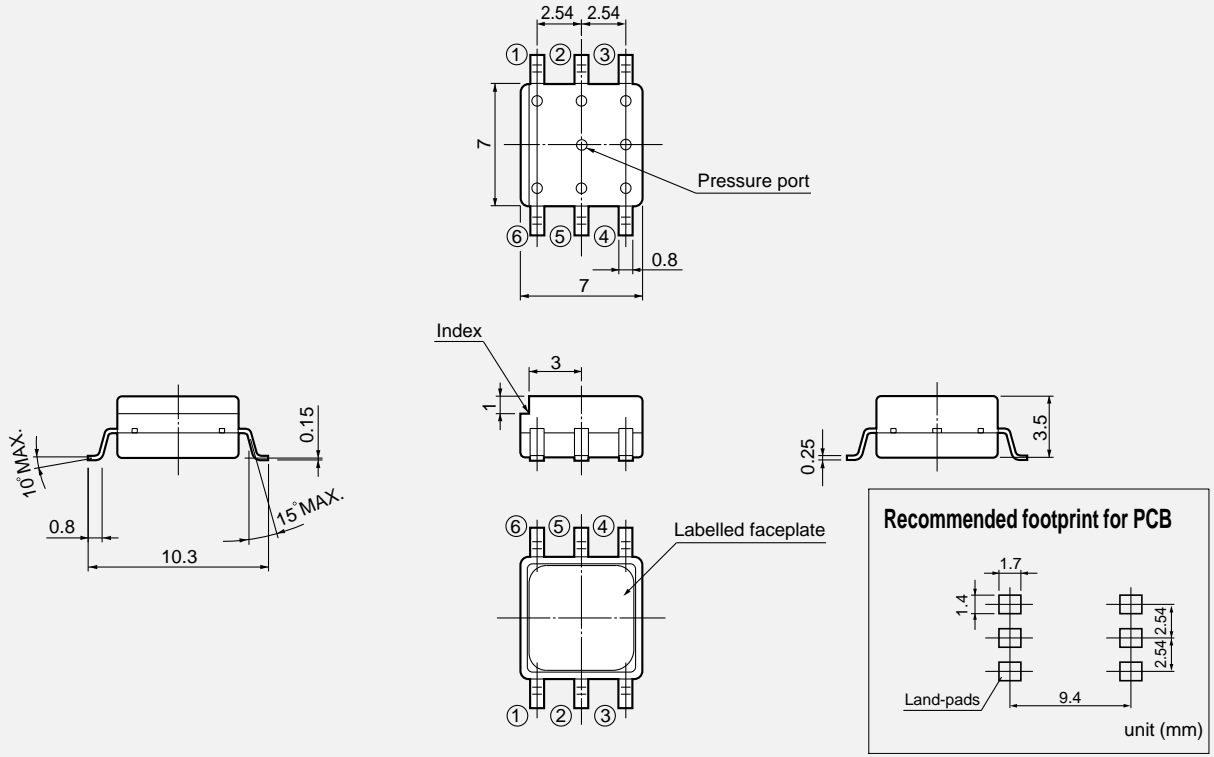
Unit (mm)



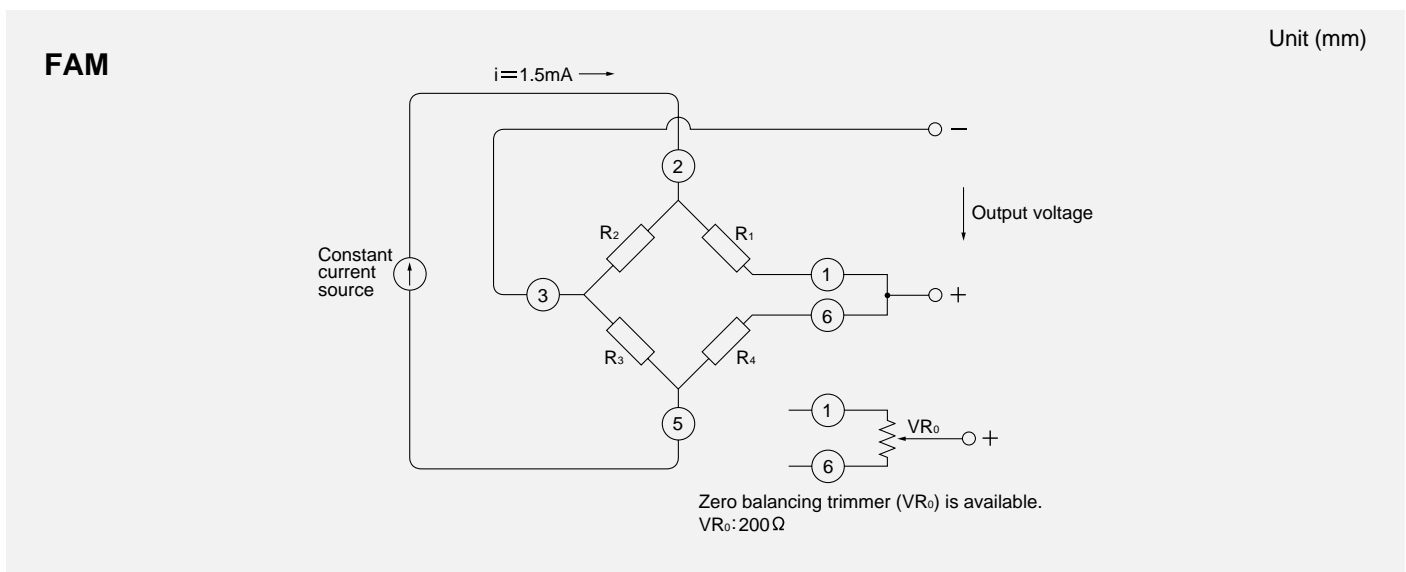
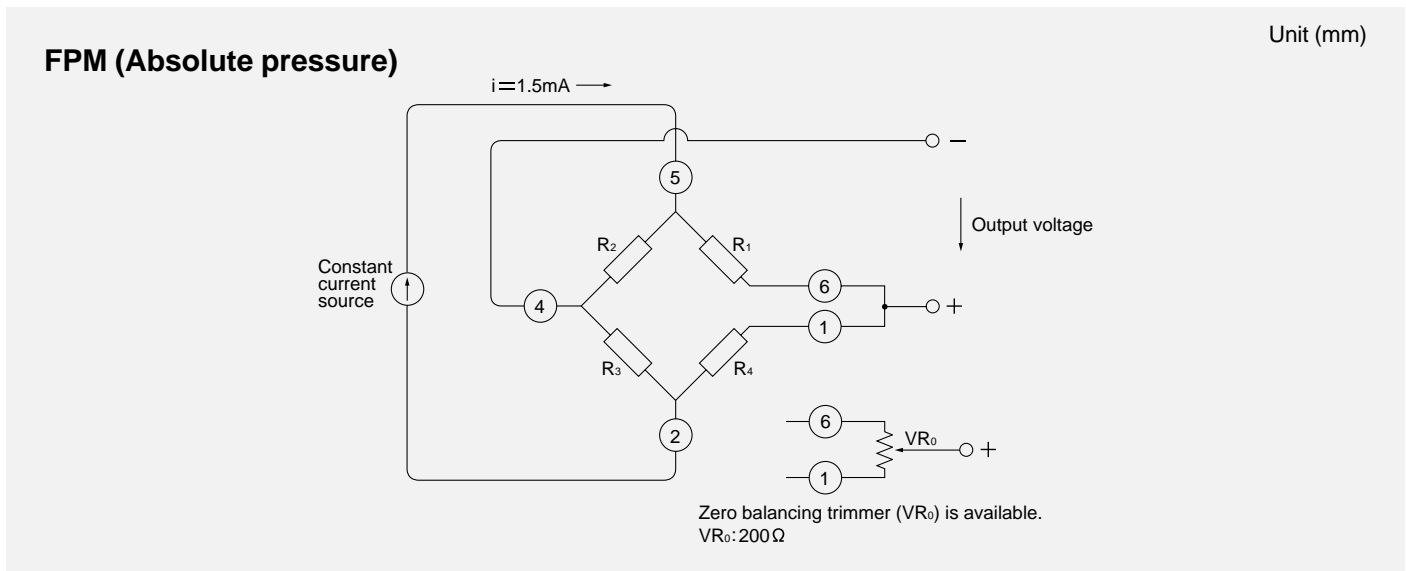
■ Outline dimensions ■

Unit (mm)

FAM



## ■ Connection diagram ■



Note ; Please read instruction "Notes" before using the sensor.  
 Fujikura reserves the right to change specifications without notice.

# Fujikura Ltd.

If you have any questions regarding technical issues or specifications, please contact us.  
 Sensor Engineering Department 5-1 Kiba 1-chome, Koto-ku, Tokyo 135-8512, Japan  
 Phone +81-(0)3-5606-1072 Fax. +81-(0)3-5606-1538  
 E-mail : sensor@fujikura.co.jp