

REVISION RECORD				
REV	ECN	DESCRIPTION	DRFT	DATE

NOTES1:

- UL Standard
- 1.Rated voltage/current : 300V / 30A
- 2.Torque value : M3 , 4.43Lb.in
- 3.Wire range : 26~10AWG

IEC Standard

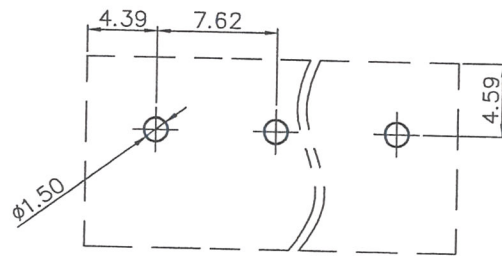
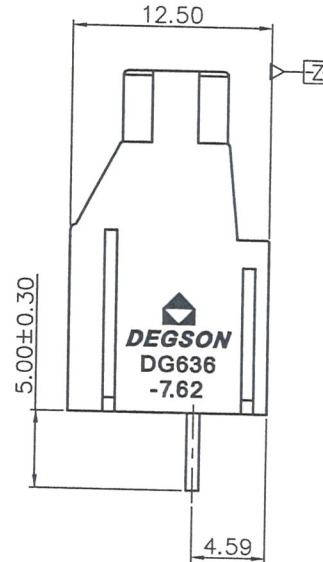
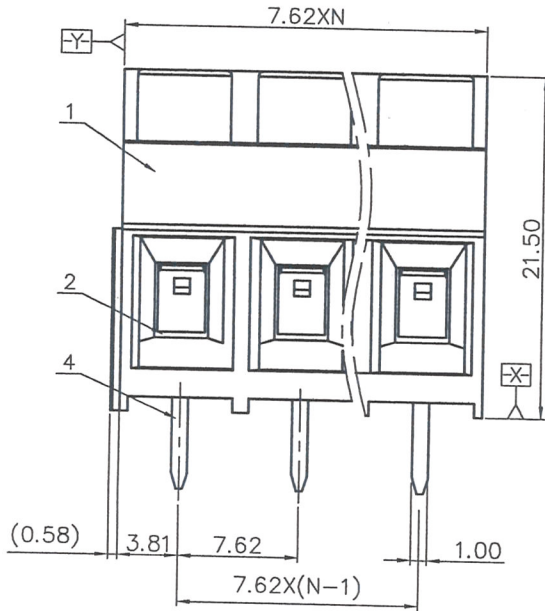
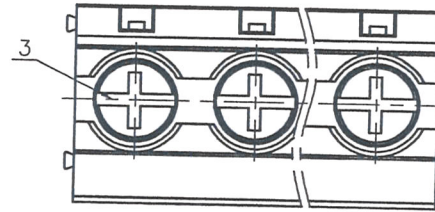
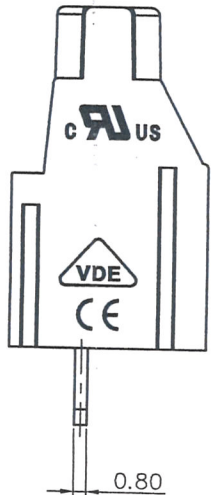
- 1.Rated voltage/current : 630V / 32A
- 2.Torque value : M3 , 0.5N·m
- 3.Wire range : 0.2~4.0mm<sup>2</sup>(str)  
0.2~6.0mm<sup>2</sup>(sol)

NOTES2:

- 1.Dimension shall be interpreted per ASME Y14.5-2009
- 2.Pitch : 7.62mm, Poles : N=02~XXP
- 3.Stripping length : 8~9mm
- 4.Withstanding voltage : AC3000V/1Min
- 5.Operating temperature : -40°C~+105°C
- 6.Undimensioned tolerances:

Pitch range in mm		Nominal dimension range in mm				Tolerances	
TO	Over TO	TO	Over TO	TO	Over TO	0.1/10	2'
6	10	30	60	100	150	0.1/10	2'
±0.15	±0.20	±0.30	±0.30	±0.50	±0.70	±1.00	±1.30

7.RoHS Compliance



DG636 - 7.62 - XXP - 1Y - 02A (H)  
 (RoHS)  
 02A-(Customer request)  
 (Series No.)(Pitch) (Poles)(Single Pitch) (Color):1.(Grey)2.(Blue)3.(Black)  
 4.(Green)5.(Orange)6.(Red)  
 7.(Transparent)8.(Yellow)  
 9.(White)

ITEM	NAME OF PART	MATERIAL	NOTES
4	Pin Header	Copper Alloy	Sn Plated
3	Screw	Steel	M3/Zn Plated
2	Cage	Copper Alloy	M3/Ni Plated
1	Housing	PA66	UL94V-0

PART NO.: /		宁波高松电子有限公司 NINGBO DEGSON ELECTRICAL CO., LTD	
APPD: <i>Amom 2017.3.11</i>	NAME: DG636-7.62-XXP-1Y-02A(H)	REV	TO
CHKD: <i>Jay. z 2017/3/10</i>	TITLE: CUSTOMER DRAWING	SHEET	1/1
DRFT: CGM 2017/03/02	DRAWING NO.: DG636-7.62-C05	SCALE	1:1
THIRD ANGLE PROJECTION		DO NOT SCALE DRAWING	

2017/04/10  
 (内部使用, 对外无效)