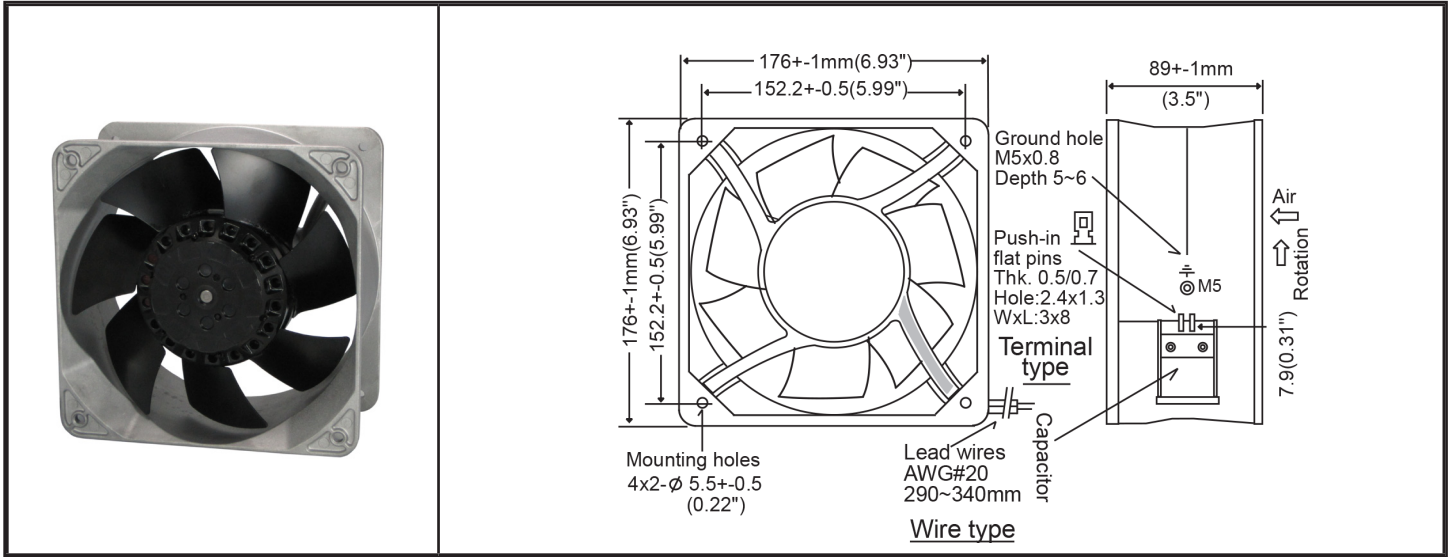


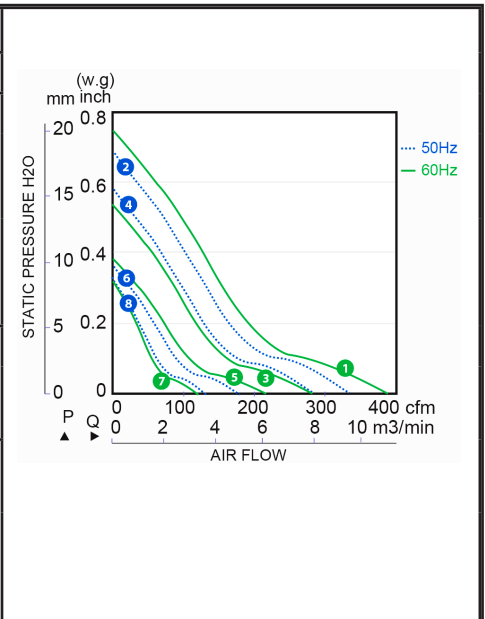
OA180AN Metal Series



AC - Harsh Environment 176 x 89mm (6.9" x 3.5")



Frame	Aluminum Die-cast	Notes
Impeller	Metal alloy	Date: 050113
Connection *	Lead wires or Terminal	Environmental Protection: IP56
Motor	AC Capacitor Inductance, Thermal protection	Storage Temp: -40C ~ +100C
Bearing System	Dual Ball bearing	Weight: 1850g (4.08 lbs)
Insulation Resistance	>100MOhm at 500VDC	Available AC voltages by special order: 12, 24, 28, 38, 42, 48, 440, 480. Dual speed also available. Call for information.
Dielectric Strength	> 60 seconds at 1500VAC	
Operating Temp Range	-30C ~ +80C (non-condensing)	* Specify configuration: TB = Terminal, Ball bearing WB = Wire leads, Ball bearing
Life Expectancy	50000 hours (55C)	



Model No.	Speed (RPM)	Airflow (CFM)	Noise	Volts AC	Voltage Range AC	Watts	Max. Static Pressure ("H ₂ O)	Curves
OA180AN-11-1 * 1856	2750	330	63	115	100 ~ 120	45	0.69	2 (50Hz)
	3250	380						1 (60Hz)
OA180AN-11-2 * 1856	2350	285	52	115	100 ~ 120	30	0.59	4 (50Hz)
	2250	275						3 (60Hz)
OA180AN-11-3 * 1856	1450	175	41	115	100 ~ 120	21	0.36	6 (50Hz)
	1650	210						5 (60Hz)
OA180AN-22-1 * 1856	2750	330	63	230	200 ~ 240	45	0.69	2 (50Hz)
	3250	380						1 (60Hz)
OA180AN-22-2 * 1856	2350	285	52	230	200 ~ 240	30	0.59	4 (50Hz)
	2250	275						3 (60Hz)
OA180AN-22-3 * 1856	1450	175	41	230	200 ~ 240	21	0.36	6 (50Hz)
	1650	210						5 (60Hz)