



ZME250-SX-F-W

250W



Features

- High Power density, 250W in 3" x 5" footprint
- Ultra low leakage current < 300uA @ 264VAC
- 2 year warranty



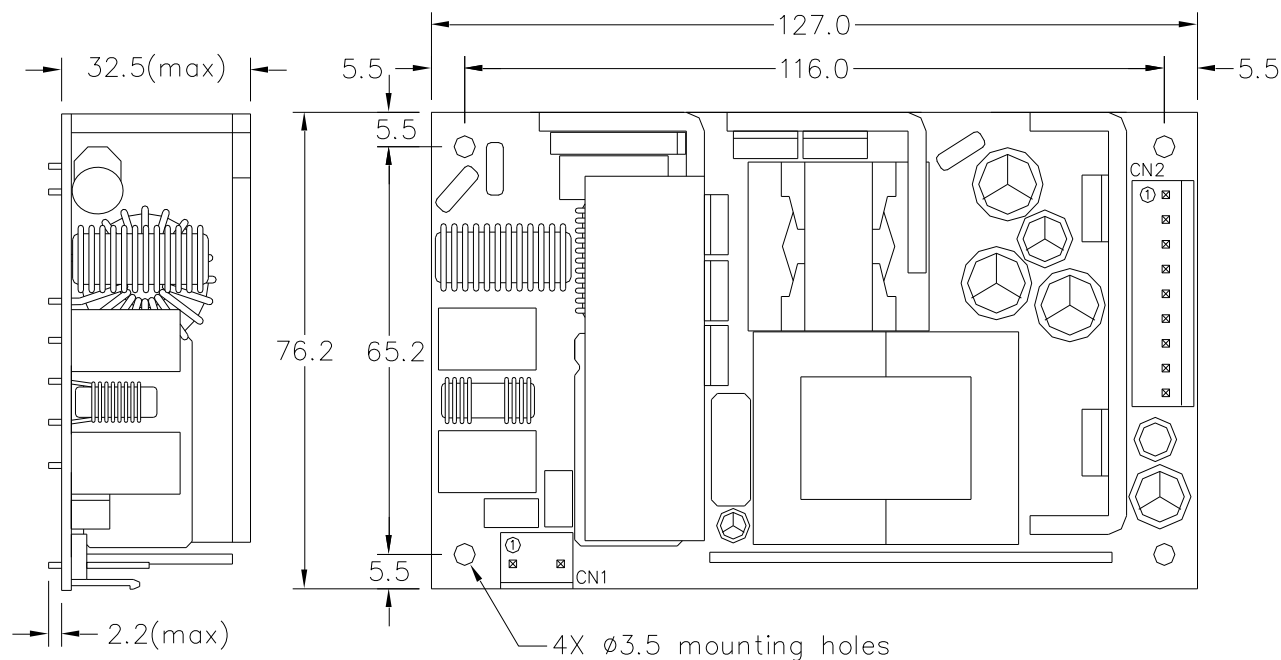
MODEL/CHANNEL		Unit	ZME250-12SX-F-W	ZME250-24SX-F-W	ZME250-24SX-F-W	ZME250-30SX-F-W
OUTPUT	Norminal Voltage	V	12	19	24	30
	Convection	A	16.67	10.53	8.34	6.67
	Ripple & Noise Max	mV	120	190	240	300
	CFM Forced Air	A	20.84	13.16	10.42	8.34
MODEL/CHANNEL		Unit	ZME250-36SX-F-W	ZME250-40SX-F-W	ZME250-48SX-F-W	
OUTPUT	Norminal Voltage	V	36	40	48	
	Convection	A	5.56	5	4.17	
	Ripple & Noise Max	mV	360	400	480	
	CFM Forced Air	A	6.95	6.25	5.21	
	Output Regulation	A	±5%			
INPUT	Input Voltage Range	V	90-264VAC (Refer to derating curve)			
	Frequency	A	47 - 63Hz			
	Input Current(rms):	%	4A @115VAC; 2A @230VAC max.			
	Power factor	-	> 0.95 @115VAC; > 0.9 @230VAC @full load			
	Efficiency	%	> 85% typical @full load, 115VAC			
	Inrush Current	VAC	< 50A peak @115VAC; < 100A peak @230VAC cold start @25°C			
	Hold Up Time	VAC	> 10ms typical @full load, 115VAC			
	Maximum output power	-	250 Watts with 17.1CFM forced air cooling			
Protection	Overload Protection	V	105% to 150% maximum rating, Auto-recovery			
	Over Voltage Protection	A	Shutdown and latch off, A manual AC reset is necessary			
	Short Circuit Protection	-	Auto-recovery			
Environmental Agencies	Safety Standards	-	UL/c- UL UL60950-1,2nd Edition CSA 22.2-No.60950-1-07 NEMKO EN60950-1:2006+A11			
	EMC Standards	-	FCC Class B	CISPR22 Class B	EN 55032 Class B	CE
Environment	Operating temp. & Humidity	-	0 to +70°C (Derate linearly 2.5% per °C from 41 to 70°C)			
	Storage temp. & Humidity	-	-20°C to +85°C/Non-condensing 0% to 90%			
	MTBF demonstrated	-	> 100,000 hours @full load and 25°C ambient temperature			
Dimension	Size(WxHxD)/Weight	mm/g	127Lx76.2Wx30H/400g			





MECHANICAL SPECIFICATION

250W



MECHANICAL SPECIFICATION

250W

CN1: Input Connector

JST B3P-VH-B pitch: 3.96mm or equivalent, mates with JST VHR-3N or equivalent

Pin #	Signal
1	AC Line
2	AC Neutral

CN2: Output Connector

JST B9P-VH-B pitch: 3.96mm or equivalent, mates with JST VHR-9N or equivalent

Pin #	Signal
1	RTN
2	RTN
3	RTN
4	RTN
5	+Vo
6	+Vo
7	+Vo
8	+Vo
9	+Vo

