

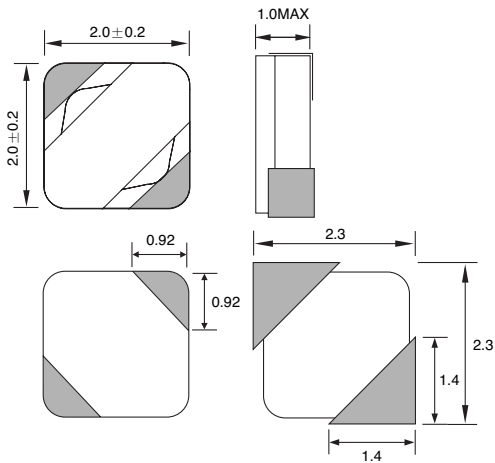
SMD TYPE

LPF2010 SERIES

SMD Shielded type

SHAPES & DIMENSIONS RECOMMENDED PCB PATTERN

(Dimensions in mm)



ELECTRICAL CHARACTERISTICS

Ordering Code	Inductance (μH)	Inductance TOL.(%)	DC Resistance (Ω)Max. () is typical value.	Rated Current [A] Max.
LPF2010T-1R5M	1.5	± 20	0.22(0.18)	0.62
LPF2010T-2R2M	2.2		0.25(0.20)	0.52
LPF2010T-3R3M	3.3		0.40(0.35)	0.45
LPF2010T-4R7M	4.7		0.45(0.40)	0.35
LPF2010T-6R8M	6.8		0.70(0.67)	0.30
LPF2010T-100M	10.0		0.88(0.83)	0.22

TEST EQUIPMENTS

- Inductance: Agilent 4284A LCR Meter (100KHz 0.5V)
- Rdc: HIOKI 3540 mΩ HiTESTER
- Bias Current: Agilent 4284A + Agilent 42841A
- Rate Current: $\Delta L \leq 30\%$ reduction from nominal L value or $\Delta T \leq 40^\circ\text{C}$ typical at rated current whichever is lower

OPERATING TEMPERATURE RANGE

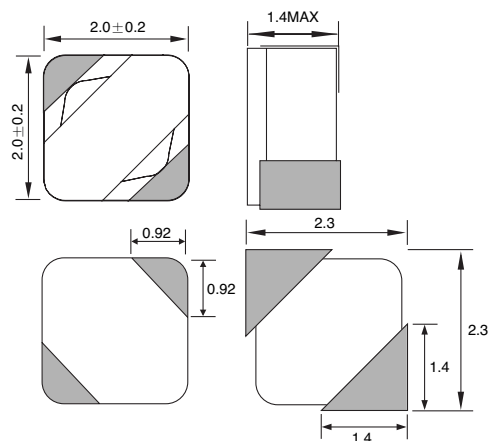
-30 ~ +85°C (Including self-temp. rise)

LPF2015 SERIES

SMD Shielded type

SHAPES & DIMENSIONS RECOMMENDED PCB PATTERN

(Dimensions in mm)



ELECTRICAL CHARACTERISTICS

Ordering Code	Inductance (μH)	Inductance TOL.(%)	DC Resistance (Ω)Max. () is typical value.	Rated Current [A] Max.
LPF2015T-1R5M	1.5	± 20	0.11(0.09)	0.75
LPF2015T-2R2M	2.2		0.13(0.11)	0.55
LPF2015T-3R3M	3.3		0.20(0.18)	0.48
LPF2015T-4R7M	4.7		0.23(0.20)	0.40
LPF2015T-6R8M	6.8		0.35(0.32)	0.30
LPF2015T-100M	10.0		0.52(0.48)	0.25
LPF2015T-150M	15.0		0.85(0.80)	0.18
LPF2015T-220M	22.0		1.05(1.00)	0.15

TEST EQUIPMENTS

- Inductance: Agilent 4284A LCR Meter (100KHz 0.5V)
- Rdc: HIOKI 3540 mΩ HiTESTER
- Bias Current: Agilent 4284A + Agilent 42841A
- Rate Current: $\Delta L \leq 30\%$ reduction from nominal L value or $\Delta T \leq 40^\circ\text{C}$ typical at rated current whichever is lower

OPERATING TEMPERATURE RANGE

-30 ~ +85°C (Including self-temp. rise)