



FEATURES

High AC Voltage - High current

APPLICATIONS

Induction Heating - Tank Circuits

KVAR	300
CAPACITANCE TOLERANCE	+/-10%
MAXIMUM CORE TEMPERATURE	+85°C
SURFACE TEMPERATURE	+45°C (Above 45°C the KVAR rating must be de-rated by 2.25%/°C)
CONSTRUCTION	Self-healing
SELF INDUCTANCE	<5 nH
DIELECTRIC	Polypropylene
FLAME RETARDANT	UL94V0

Standard part listing

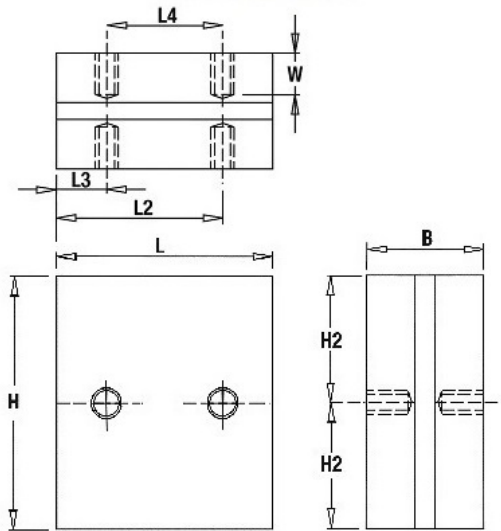
Capacitance (µF)	VAC	IC Part number	Maximum RMS current (A)	MAX power kvar	Frequency range (kHz)	ESR (mΩ) 100kHz, +25°C	Dimensions (mm)			Terminal Style
							B	H	L	
0.1	1000	104HC3102K2EM8	350	300	476-649	1.2	30.2	66	56	2EM8
0.2	1000	204HC3102K2EM8	500	300	238-423	1.2	30.2	66	56	2EM8
0.25	700	254HC3700K2EM8	500	300	390-530	1.2	30.2	66	56	2EM8
0.33	700	334HC3700K2EM8	500	300	295-401	1	30.2	66	56	2EM8
0.66	700	664HC3700K2EM8	500	300	147-200	0.8	30.2	66	56	2EM8
1	600	105HC3600K2EM8	650	300	132-223	0.5	30.2	66	56	2EM8
1.2	600	125HC3600K2EM8	650	300	111-187	0.5	30.2	66	56	2EM8
1.32	600	135HC3600K2EM8	650	300	100-170	0.3	30.2	66	56	2EM8
2.4	500	245HC3500K2EM8	650	300	80-97	0.2	30.2	66	56	2EM8
2.6	500	265HC3500K2EM8	650	300	72-85	0.2	30.2	66	56	2EM8
5	400	505HC3400K2EM8	800	300	59-67	0.1	30.2	66	56	2EM8
0.1	1000	104HC3102K4TM6	350	300	476-649	1.2	30.2	60	60	4TM6
0.2	1000	204HC3102K4TM6	500	300	238-423	1.2	30.2	60	60	4TM6
0.25	700	254HC3700K4TM6	500	300	390-530	1.2	30.2	60	60	4TM6
0.33	700	334HC3700K4TM6	500	300	295-401	1	30.2	60	60	4TM6
0.66	700	664HC3700K4TM6	500	300	147-200	0.8	30.2	60	60	4TM6
1	600	105HC3600K4TM6	650	300	132-223	0.5	30.2	60	60	4TM6
1.2	600	125HC3600K4TM6	650	300	111-187	0.5	30.2	60	60	4TM6
1.32	600	135HC3600K4TM6	650	300	100-170	0.3	30.2	60	60	4TM6
2.4	500	245HC3500K4TM6	650	300	80-97	0.2	30.2	60	60	4TM6
2.6	500	265HC3500K4TM6	650	300	72-85	0.2	30.2	60	60	4TM6
5	400	505HC3400K4TM6	800	300	59-67	0.1	30.2	60	60	4TM6
0.1	1000	104HC3102K4VM6	350	300	476-649	1.2	30.2	50	75	4VM6
0.2	1000	204HC3102K4VM6	500	300	238-423	1.2	30.2	50	75	4VM6
0.33	700	334HC3700K4VM6	500	300	295-401	1	30.2	50	75	4VM6
0.66	700	664HC3700K4VM6	500	300	147-200	0.8	30.2	50	75	4VM6
1	600	105HC3600K4VM6	650	300	132-223	0.5	30.2	50	75	4VM6
1.32	600	135HC3600K4VM6	650	300	100-170	0.3	30.2	50	75	4VM6
2.6	500	265HC3500K4VM6	650	300	72-85	0.2	30.2	50	75	4VM6
5	400	505HC3400K4VM6	800	300	59-67	0.1	30.2	50	75	4VM6

HC3

High Power Resonant Capacitors

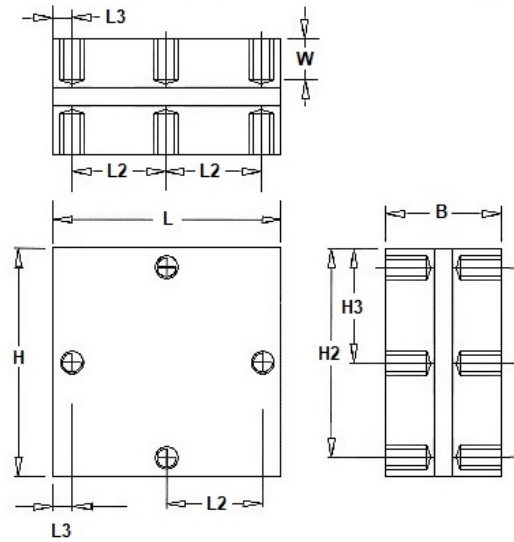


LEAD STYLE: 2EM8



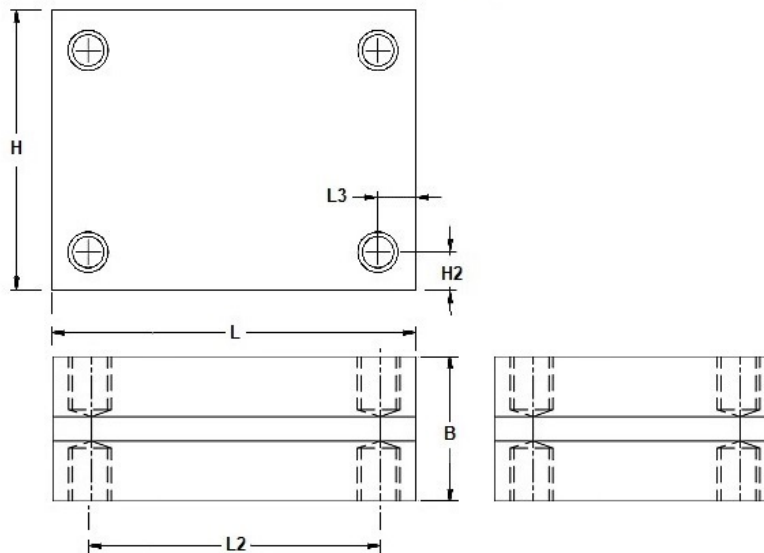
L	H	B	H2	L2	L3	L4	W
56±0.5	66±0.5	30.2±0.1	33	43	13	30	10±0.5
Mounting Holes: M8x1.25 tap fitted with SS helicoil							
Tightening torque: 15Nm MAX							

LEAD STYLE: 4TM6



L	H	B	H2	H3	L2	L3	W
60±0.5	60±0.5	30.2±0.1	55	30	25	5	10±0.5
Mounting Holes: M6x1 tap fitted with SS helicoil							
Tightening torque: 15Nm MAX							

LEAD STYLE: 4VM6



L	H	B	L2	L3	H2
75±0.5	50±0.5	30.2±0.1	65	5	5
M6x1 tapping without helicoil					
Tightening torque: 15Nm MAX					

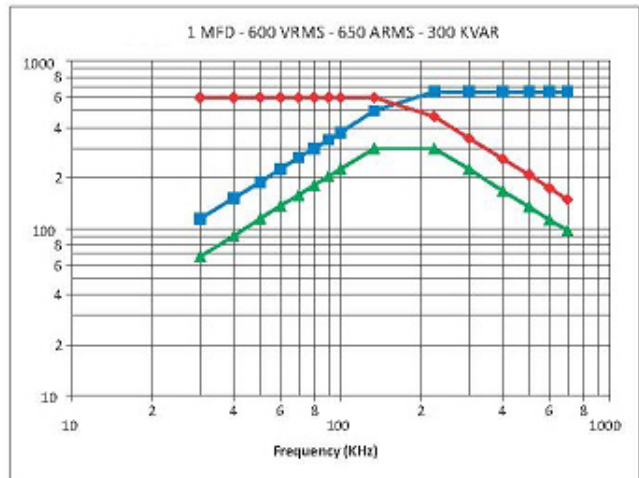
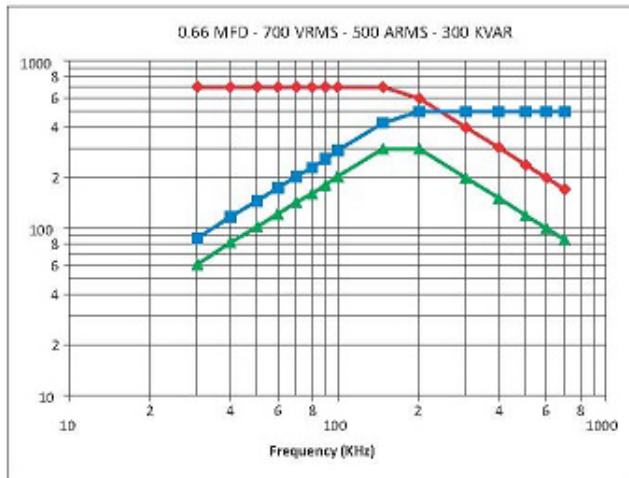
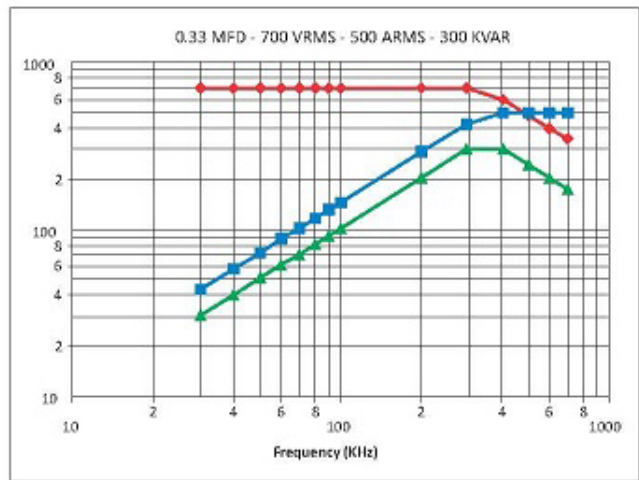
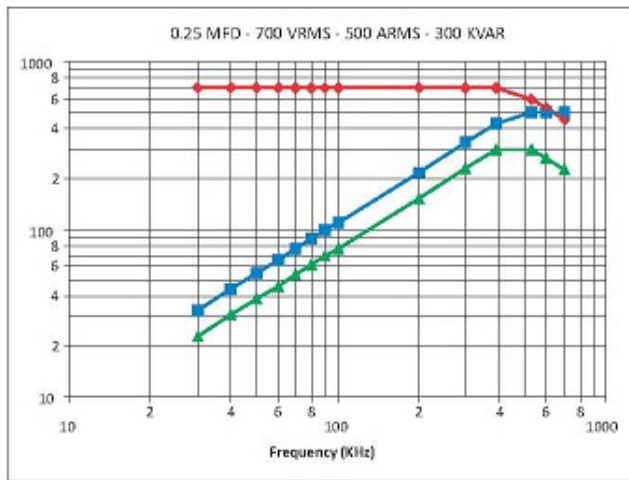
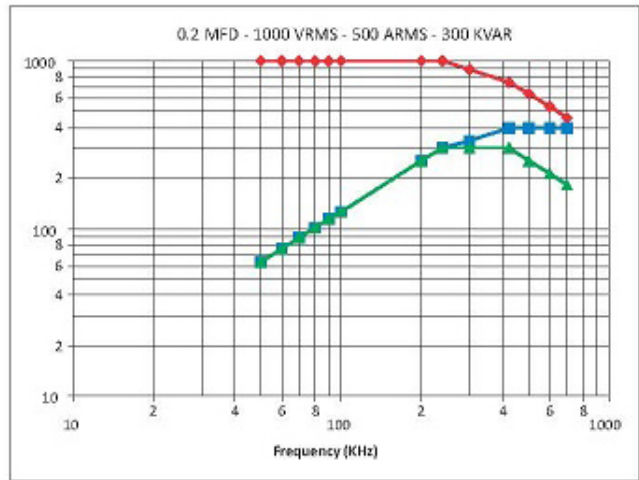
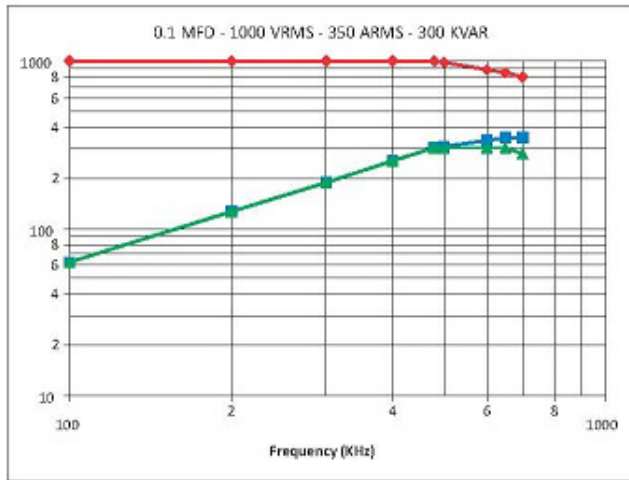
HC3

High Power Resonant Capacitors



Frequency Derating

—●— Voltage —■— Current —▲— Power



HC3

High Power Resonant Capacitors



Frequency Derating

—●— Voltage —■— Current —▲— Power

