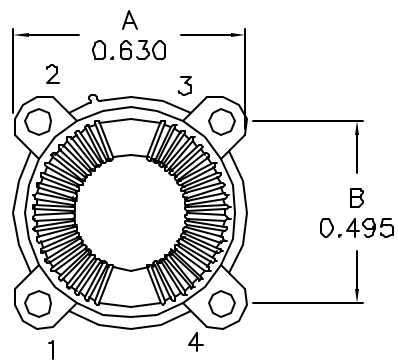
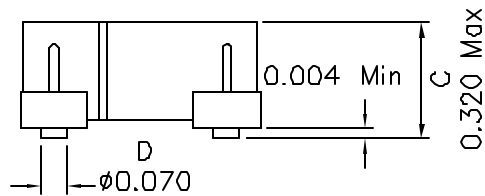
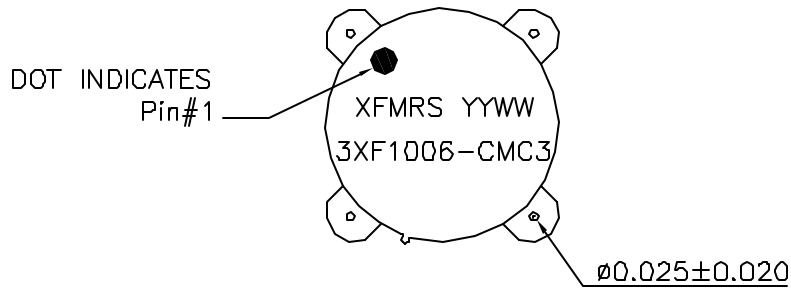
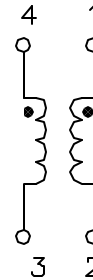


1. Dimensions:



(BOTTOM VIEW)

2. Schematic:



3. Electrical Specifications: @25°C

OCL: 100uH±25% @10KHz 0.1V, Each Wdg

DCR: 0.009 Ohms Max, Each Wdg

Rated Current: 8.50A Max

LL: Pins 1-2 0.9uH Typ @100KHz 0.1V, Short Pins 4-3

Isolation: 500 Vrms

Notes:

1. Solderability: Leads shall meet MIL-STD-202, Method 208D for solderability.
2. Flammability: UL94V-0
3. ASTM oxygen index: > 28%
4. Insulation System: Class F 155°C. UL file E151556
5. Operating Temperature Range: All listed parameters are to be within tolerance from -40°C to +85°C
6. Storage Temperature Range: -55°C to +125°C
7. Aqueous wash compatible
8. SMD Lead Coplanarity: $\pm 0.004^{\circ}$ (0.102mm)
9. Electrical and mechanical specifications 100% tested
10. RoHS Compliant Component

XFMRs Inc. www.XFMRs.com		Title: Dual Surface Common Mode Choke	
UNLESS OTHERWISE SPECIFIED		P/N: 3XF1006-CMC3	REV. A
TOLERANCES: .xxx ±0.010		DWN.	廖玉坤 Apr-25-07
Dimensions in Inch		CHK.	李清IL Apr-25-07
SCALE 2:1 SHT 1 OF 1		APP.	MS Apr-25-07

DOC. REV. A/3