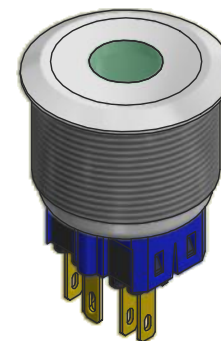
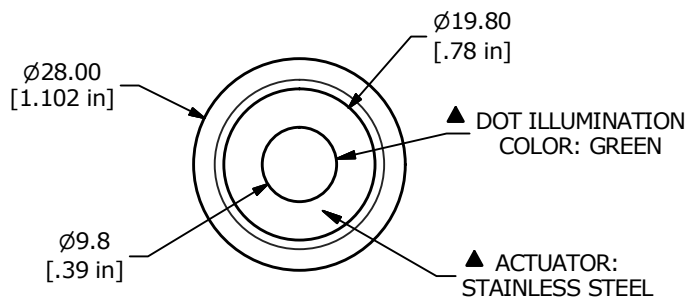
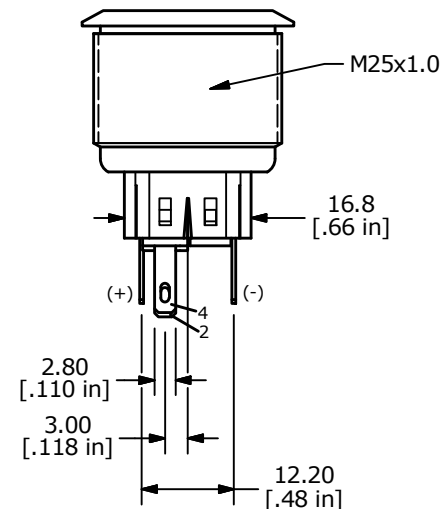
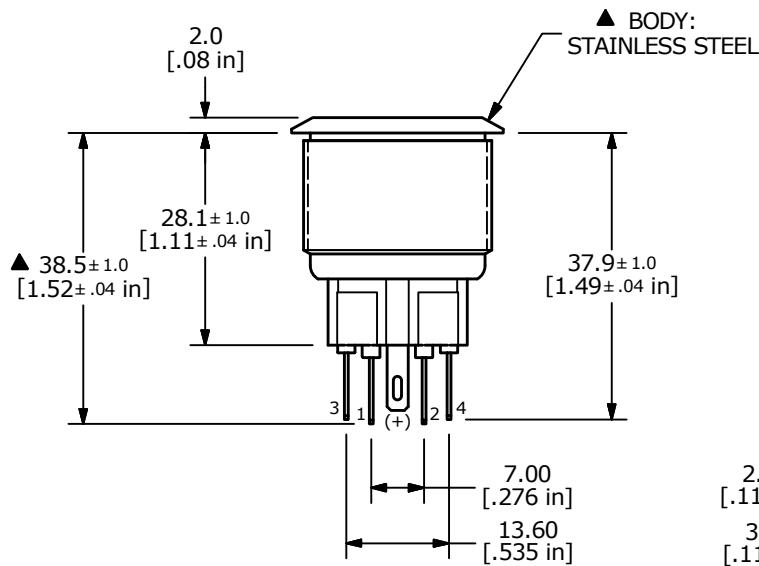
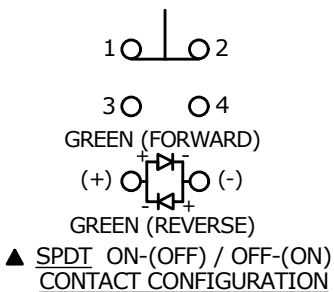


PANEL CUTOUT
MAX. PANEL THICKNESS 10mm

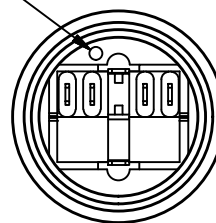


SWITCH FUNCTION	
POS. 1	POS. 2 (MOM)
1-2	(3-4)

() = MOMENTARY



DOT DENOTES LED COLOR



NOTE:

- ALL DIMENSIONS IN MM [INCH]
- GENERAL TOLERANCE: X.X = ± 0.4
X.XX = ± 0.25
- TERMINAL NOS. FOR REF. ONLY
- RATING: 2A @ 48VDC
- CONTACT RESISTANCE: 50mΩ MAX. @ 1A 12VDC
- INSULATION RESISTANCE: 1,000MΩ @ 500VDC
- DIELECTRIC STRENGTH: 2,000VAC MIN. FOR 1 MINUTE
- ELECTRICAL LIFE: 50,000 CYCLES
- OPERATING TEMPERATURE: -20°C to 55°C
- INGRESS PROTECTION: IP65
- SUPPLIED HARDWARE: O-RING AND HEXNUT
- ▲ DENOTES CRITICAL PARAMETER
- 2011/65/EU (ROHS) COMPLIANT
- ILLUMINATION VOLTAGE: 24V



A	23396	Create drawing	6/11/18	MW
REV	PCR NO	DESCRIPTION	DATE	BY

TITLE PV8F2Y0SS-235				
SCALE 1:1	DATE 6/11/2018	DR MW	DWG 52-PV8F2Y0SS235	REV A

THE INFORMATION CONTAINED IN THIS DOCUMENT IS PROPRIETARY TO E-SWITCH AND IS NOT TO BE COPIED OR TRANSFERRED