

IEC Connector C19, Rewireable, Straight



C19



70° C

**Description**

- Connector:
Screwing cable terminal,
- 1 Function:
Pin temperature 70 °C, Protection class I, Cable
- Note: strain relief has to be ordered separately, mating strain reliefs please find under accessories

Approvals

- VDE Certificate Number: 40008423
- UL File Number: E57445
- CSA File Number: 1435558

References

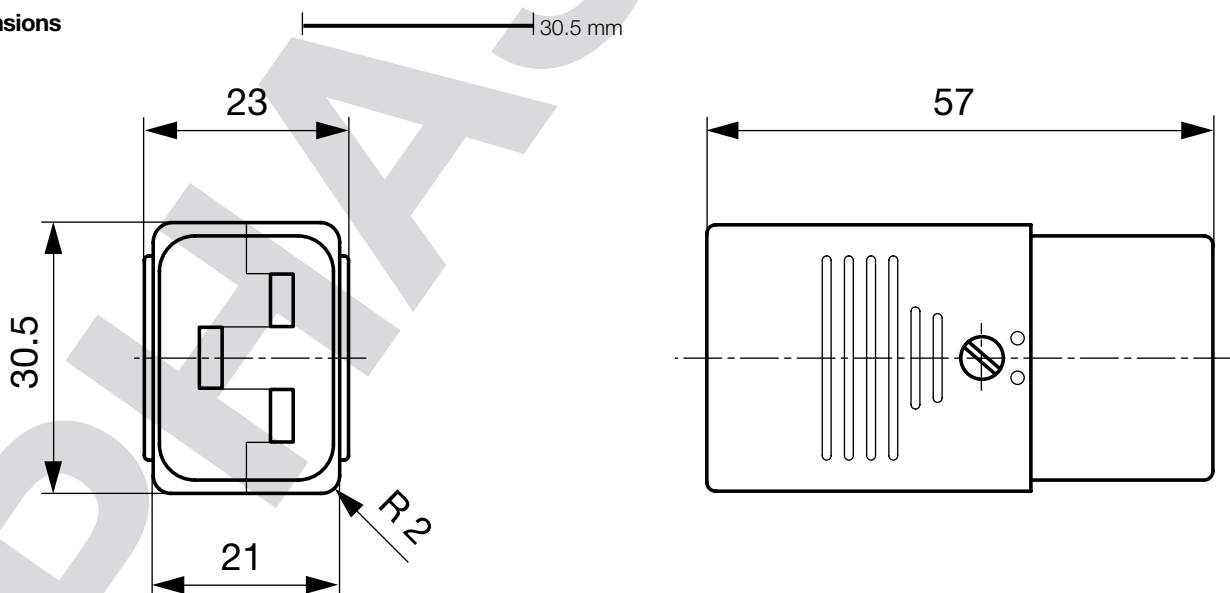
This type is Phase-out. Alternate type: 0104U; 4795
Last order date: 31.12.2012

Weblinks

[pdf-datasheet](#), [html-datasheet](#), [General Product Information](#), [Approvals](#), [RoHS](#), [CHINA-RoHS](#), [Mating Connectors](#), [e-Shop](#), [SCHURTER-Stock-Check](#), [Distributor-Stock-Check](#), [CAD-Drawings](#), [Accessories](#), [Detailed request for product](#)

Technical Data

Ratings IEC	16 A / 250 VAC; 50 Hz	Connector	C19 acc. to IEC 60320
Ratings UL/CSA	21 A / 250 VAC; 60 Hz		UL 498, CSA C22.2 no. 42 (for cold conditions) pin-temperature 70 °C, 16 A, Protection Class I
Dielectric Strength	> 3 kVAC between L-N > 1.5 kVAC between L/N-PE (1 min/50 Hz)		
Allowable Operation Temp.	-25 °C to 70 °C		
Degree of Protection	from front side IP 20 acc. to IEC 60529		
Protection Class	Suitable for appliances with protection class I acc. to IEC 61140		
Terminal	Screw clamps		
Material: Housing	PA6, black or grey, UL 94V-0		

Dimensions

Config. Code

0104 - H - A B C 0 - D - E J

The characters are placeholders for the correspondingly keys of selections from the key tables.

0104 - H - A B C 0 - D - E J = Type

Type	Configuration key
protection class 1	X

0104 - H - A B C 0 - D - E J = Terminals

Terminal L	Configuration key
screw terminal	A

0104 - H - A B C 0 - D - E J = Terminals

Terminal N	Configuration key
screw terminal	A

Symbols similar as in table A

0104 - H - A B C 0 - D - E J = Terminals

Terminal Ground	Configuration key
screw terminal	A

Symbols similar as in table A

0104 - H - A B C 0 - D - E J = Color

Color	Configuration key
Black	A
Grey	B

0104 - H - A B C 0 - D - E J = Style

Style	Configuration key
for cord assembly	8

0104 - H - A B C 0 - D - E J = Condition

Condition	Configuration key
assembled	1
disassembled	2

Variants

Config. Code	Description	Order Number
0104-X-AAA0-A-81	0104, IEC Connector, C19, 70°C, version: 1, L: screw terminal, N: screw terminal, ground: screw terminal, color: Black, design: for cord assembly, condition:assembled	4310.0006
0104-X-AAA0-B-81	0104, IEC Connector, C19, 70°C, version: 1, L: screw terminal, N: screw terminal, ground: screw terminal, color: Grey, design: for cord assembly, condition:assembled	4310.0007

The listed variants should be available from stock. Other versions on request www.schurter.com/contact

Max. torque for screws: Terminals: 0.8 Nm, Cable clamps: 0.4 Nm, Cover: 0.5 Nm

Packaging unit 50 Pcs

Accessories

Description



4311.0063
PVC Strain Relief for rewireable connectors



4311.0064
PVC Strain Relief for rewireable connectors



4311.9301
PVC Strain Relief for rewireable connectors



4311.9302
PVC Strain Relief for rewireable connectors



4311.9310
PVC Strain Relief for rewireable connectors



4311.9315
PVC Strain Relief for rewireable connectors

Mating Inlets/Plugs

Category / Description

Appliance Inlet Overview complete



IEC Appliance Inlet C20, Screw-on Mounting, Rear Side, PCB Terminal	1601
IEC Appliance Inlet C20, Screw-on Mounting, Front Side, Solder, Quick-connect or Screw Terminal	1621
IEC Appliance Inlet C20, Snap-in Mounting, Front Side, Solder or Quick-connect Terminal	4793
IEC Appliance Inlet C24, Snap-in Mounting, Front Side, Solder or Quick-connect Terminal	4794
IEC Appliance Inlet C20, Screw-on Mounting, Front Side, Solder or Quick-connect Terminal	4798

[Appliance Inlet further types to 0104](#)



Appliance inlets/-outlets Overview complete

Plug Coupler IEC C20 / IEC J, Screw-on Mounting	4730
---	------

[Appliance inlets/-outlets further types to 0104](#)

Plug Overview complete



IEC Plug I, Cord Connector (Rewireable), Straight	0106
IEC Plug I, Cord Connector (Rewireable), Angled	1611
IEC Plug I, Cord Connector (Rewireable), Straight	1612
IEC Plug I, Cord Connector (Rewireable), Angled	4789
IEC Plug I, Cord Connector (Rewireable), Straight	4796

[Plug further types to 0104](#)

Power Entry Module Overview complete



IEC Appliance Inlet C20 with Circuit Breaker	1624-K
IEC Appliance Inlet C20 with Line Switch, 1- or 2-pole	EC11
IEC Appliance Inlet C20 with Circuit Breaker TA45	EF11
	EG11

[Power Entry Module further types to 0104](#)

Power Entry Module with line filter Overview complete



IEC Appliance Inlet C20 with Filter, ECO design, front or rear side Mounting	5130
IEC Appliance Inlet C20 with Filter, Front or Rear Side Mounting	C20F
IEC Appliance Inlet C22 for Hot Conditions, with Filter for High Temperatures, Front Side Mounting	C22F
IEC Appliance Inlet C20 with Filter, Line Switch 2-pole	EC12
IEC Appliance Inlet C20 with Filter, Circuit Breaker TA45 (recessed)	EF12

[Power Entry Module with line filter further types to 0104](#)

P.F.H.