




-  Compliant with IEEE802.3 standard including 350uH OCL with 8mA DC Bias
-  Operating temperature 0°C to +70°C
-  RoHS compliant



ELECTRICAL SPECIFICATION @ 25°C

Part Number	PoE	Insertion Loss (dB Max)		Return Loss (dB Min)				CMRR (dB Min)	Crosstalk (dB Min)			Hipot (Vrms)
		1-100MHz	100-125MHz	30MHz	60MHz	80MHz	100MHz	1-100MHz	30MHz	60MHz	100MHz	
824-00412R	Yes	1.1	2.0	18	12	12	10	-	43	37	33	1500
		0.1-100MHz		1-30MHz	40MHz	50MHz	60-80MHz	0.1-100MHz	30MHz	60MHz	100MHz	
824-00423F	No	1.0		16	14.4	13.1	12	35	43.5	37.5	33	1500
824-00430R	No	1.0		16	14.4	13.1	12	35	43.5	37.5	33	1500
824-00431F	No	1.0		16	14.4	13.1	12	35	45	40	35	1500
824-00432R	No	1.0		16	14.4	13.1	12	35	45	40	35	1500
824-00434R ¹	No	1.0		16	14.4	13.1	12	35	43.5	37.5	33	1500
		1-100MHz	100-125MHz	1-40MHz		40-100MHz		1-100MHz	1-100MHz			
824-00457R ¹	No	1.0	1.5	18		12-20Log(F/80)		30	33			1500

ELECTRICAL SPECIFICATION @ 25°C

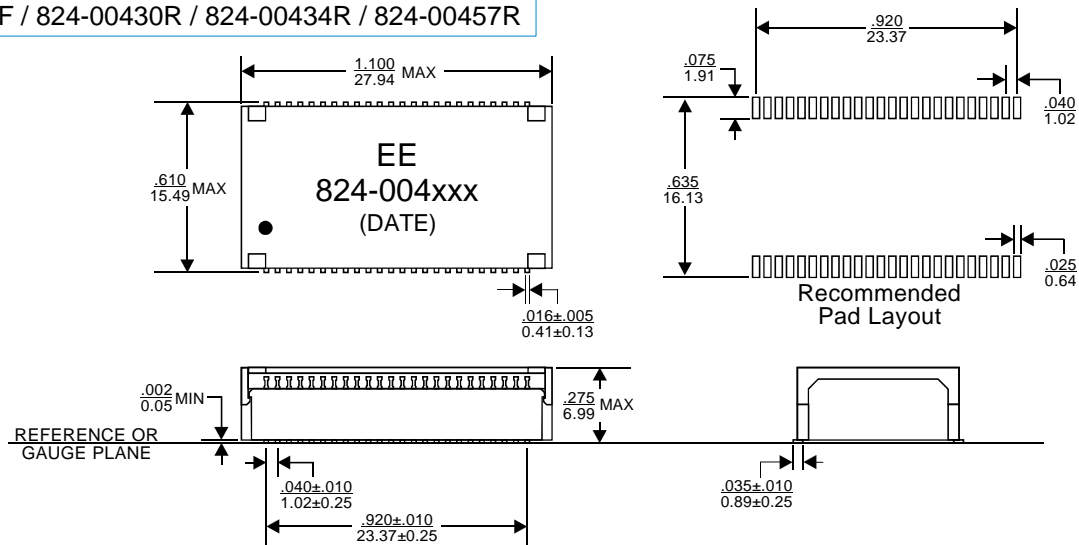
Part Number	PoE	Insertion Loss (dB Max)		Return Loss (dB Min)				CMRR (dB Typ)	Crosstalk (dB Typ)			Hipot (Vrms)
		1-100MHz		1-40MHz	60MHz	80MHz	100MHz	1-100MHz	30MHz	60MHz	100MHz	
824-00461R	No	1.1		18	14	12	10	40	43.5	37.5	33	1500

Notes:

1. Operating temperature range: -40°C to +85°C.
2. "F" represents the test frequency specified in MHz.

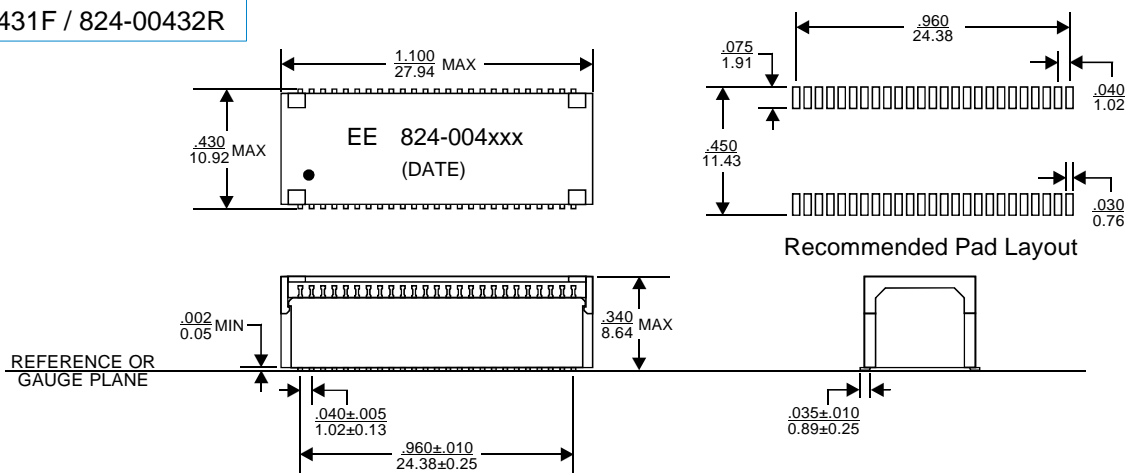
MECHANICAL DIMENSIONS

824-00423F / 824-00430R / 824-00434R / 824-00457R



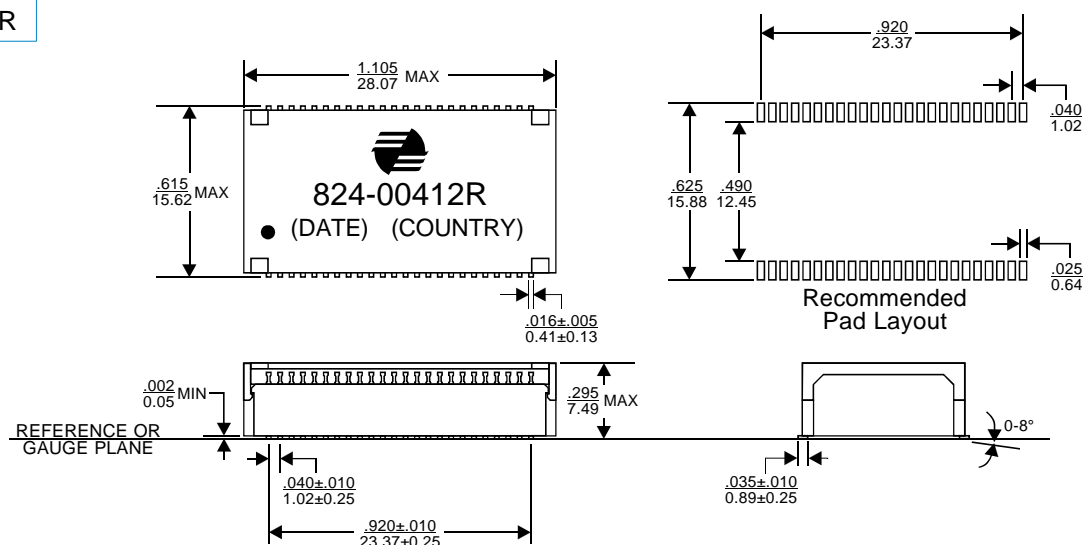
MECHANICAL DIMENSIONS

824-00431F / 824-00432R



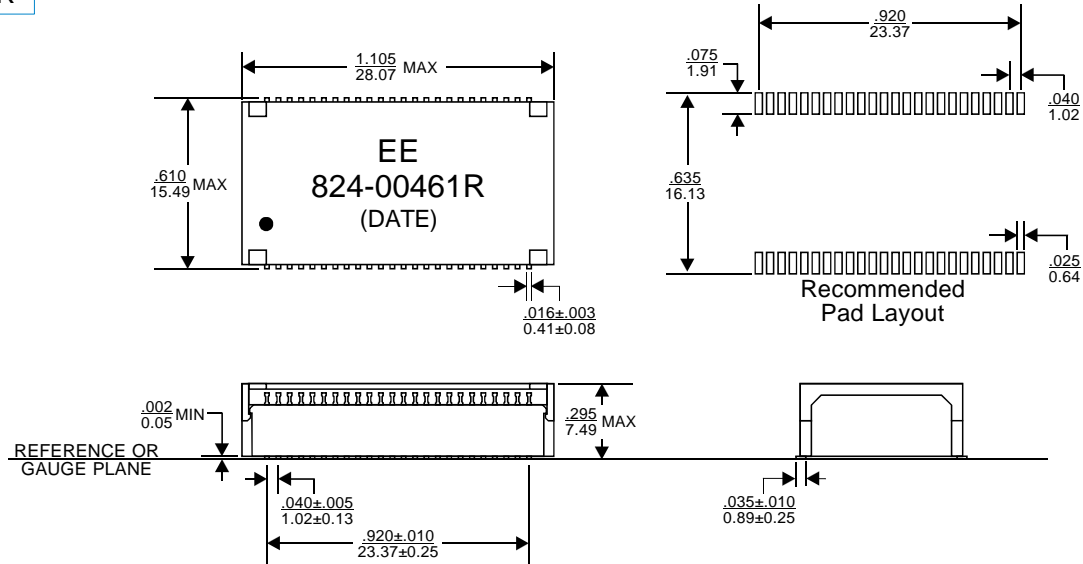
MECHANICAL DIMENSIONS

824-00412R



MECHANICAL DIMENSIONS

824-00461R

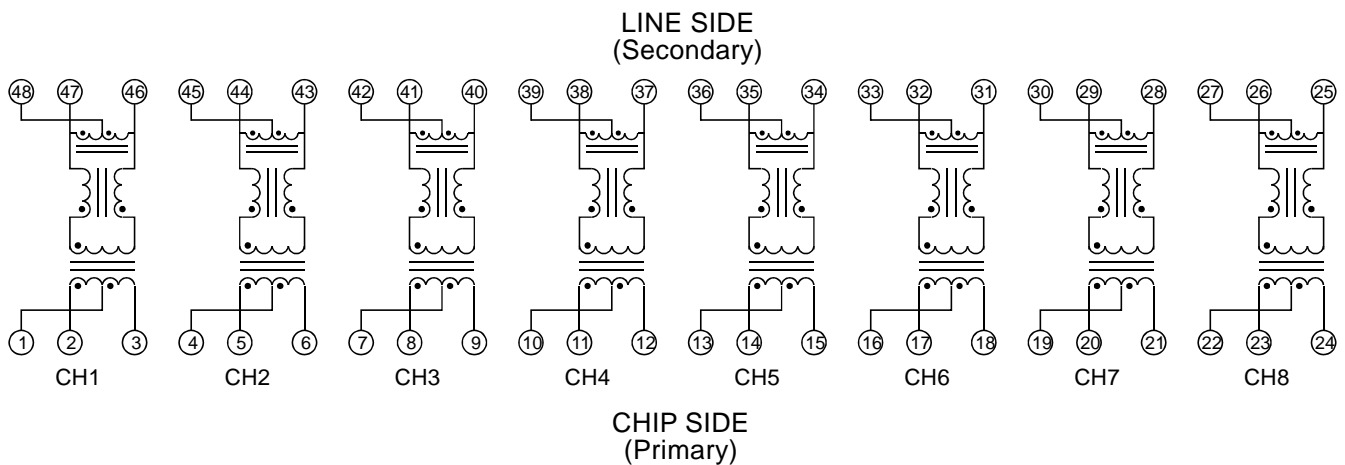


Notes:

3. Dimensions are specified in $\frac{\text{inches}}{\text{mm}}$ with higher precedence in inches.
4. Unless otherwise specified, all tolerance are $\pm \frac{.010}{0.25}$.
5. Coplanarity: $\frac{.004}{0.10}$ max.
6. "(DATE)" includes at least the manufacturing date code (in YYWW format) plus two character country code.
7. When ordering, please add suffix "T" to the part number for tape & reel packaging (330mm reel).

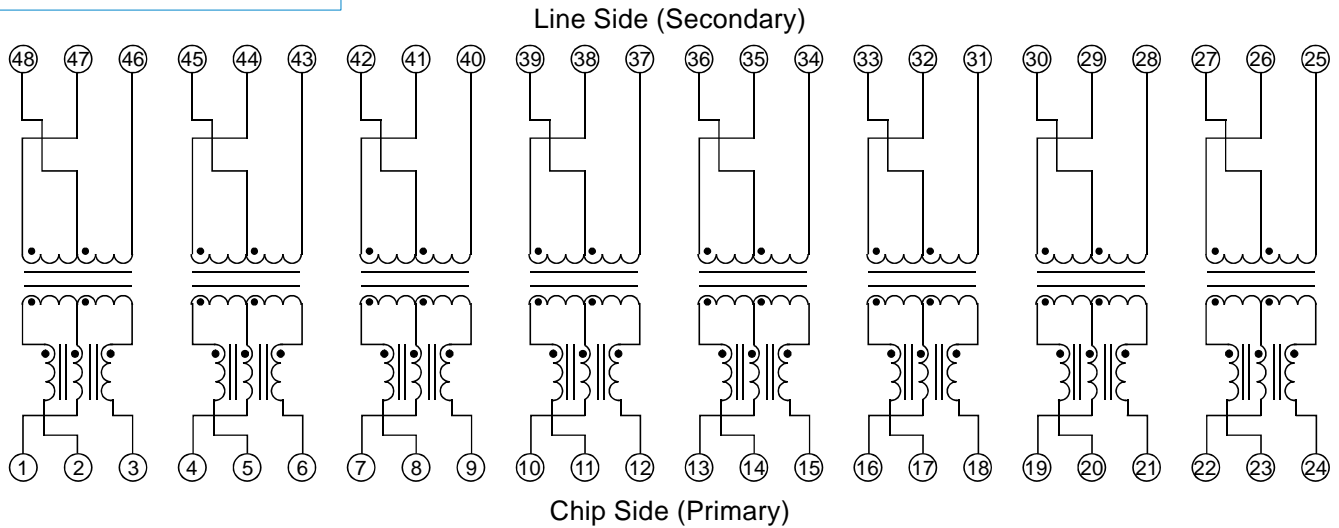
SCHEMATICS

824-00430R / 824-00434R / 824-00461R



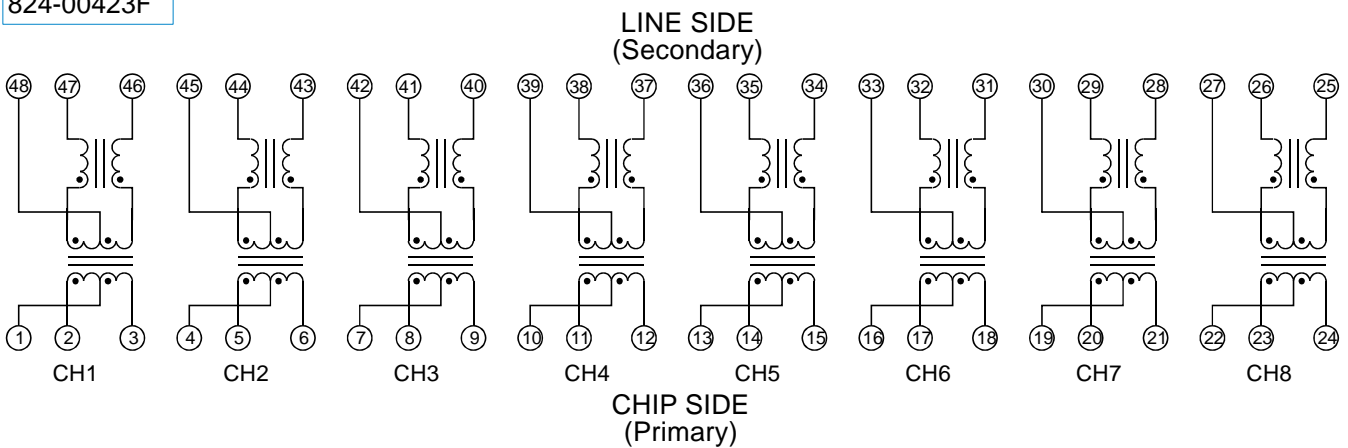
SCHEMATICS

824-00412R / 824-00457R



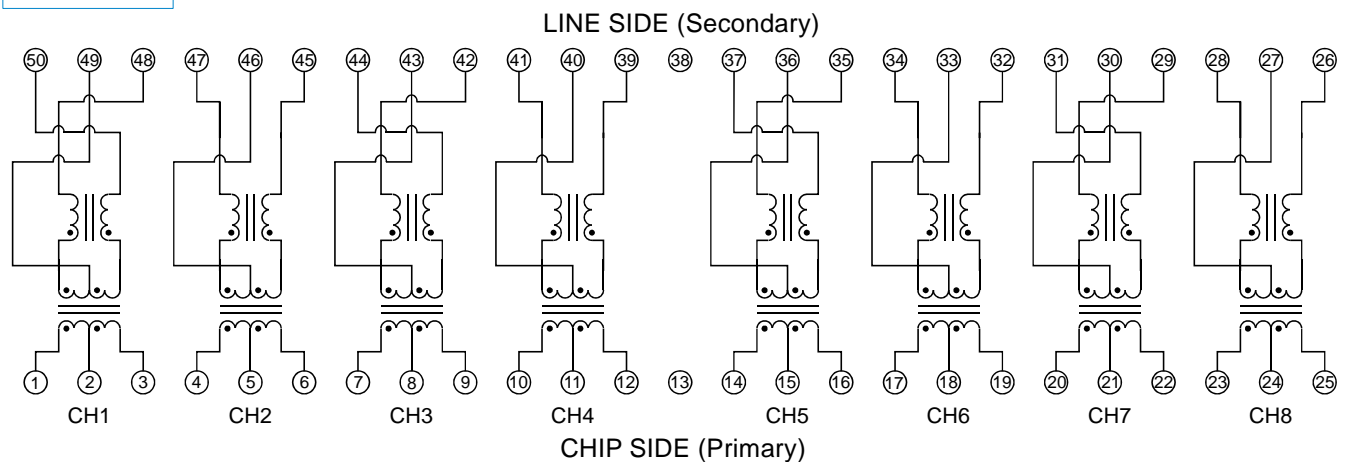
SCHEMATICS

824-00423F



SCHEMATICS

824-00431F

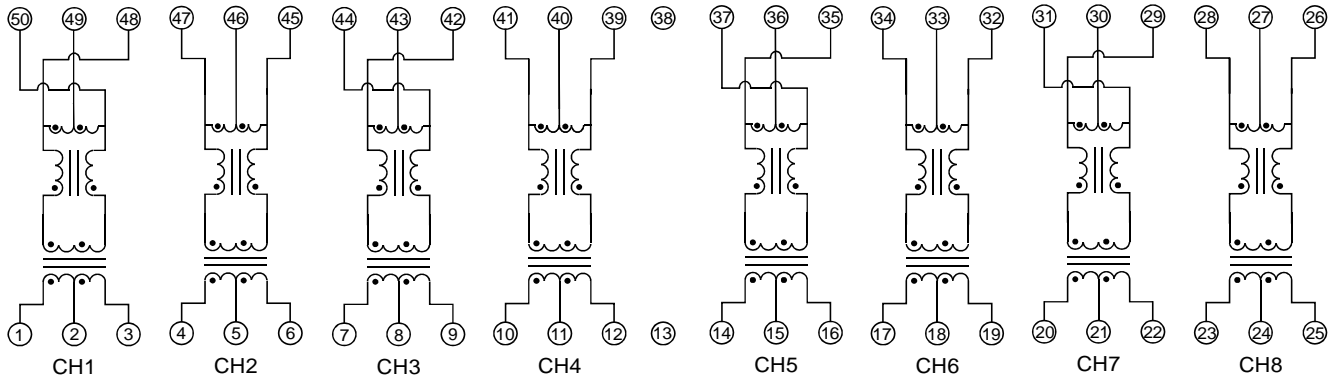




SCHEMATICS

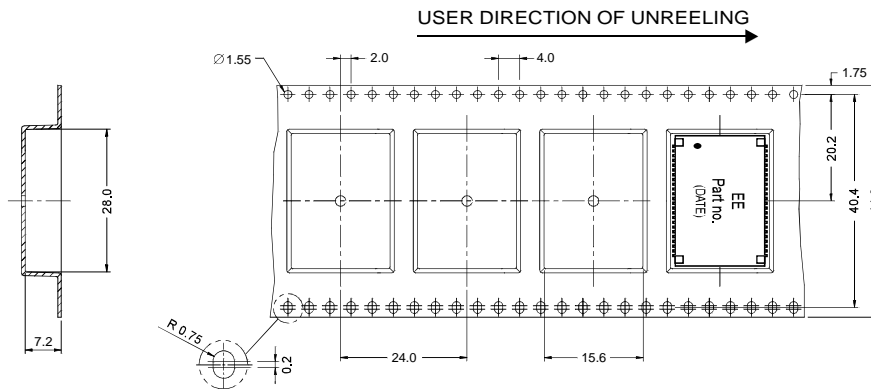
824-00432R

LINE SIDE (Secondary)



PACKAGING

824-00412R / 824-00423F / 824-00430R / 824-00434R / 824-00457R / 824-00461R

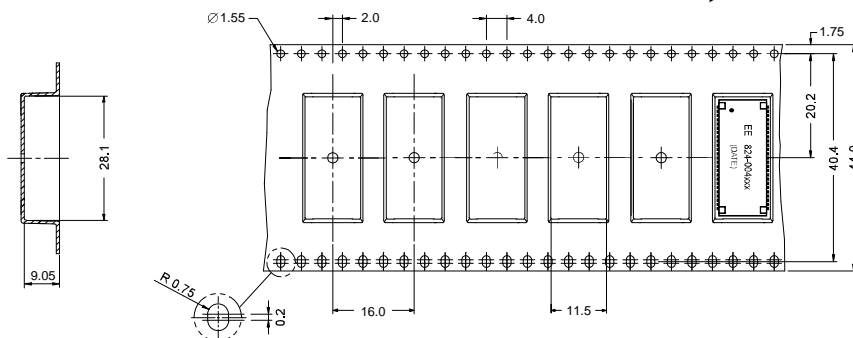


Weight (in gram) : 4.0 typ.
Tape & Reel : 300 / reel

PACKAGING

824-00431F / 824-00432R

USER DIRECTION OF UNREELING



Weight (in gram) : 3.5 typ.
Tape & Reel : 450 / reel

FOR MORE INFORMATION, PLEASE CONTACT

HEADQUARTER

1/F., Harbour View 1, No.12 Science Park East Avenue,
Phase II, Hong Kong Science Park, Shatin, N.T.
Hong Kong

Tel: (852) 2954 3333 Fax: (852) 2954 3304

Email: eempl@eleceltek.com

Website: <http://www.eleceltek.com> / www.eemagnetic.com

Information herein is for reference only and subject to change without notice. It does not constitute any representation, warranty or commitment of the company in respect of the products in any aspect. All logos, brands and product names mentioned herein are trademarks or registered trademarks of their respective owners. The company does not assume any liability arising out of the application or use of any product or circuit described herein. Copyrights 2009, E & E Magnetic Products Limited.

1/F., Harbour View 1, No.12 Science Park East Avenue, Phase II, Hong Kong Science Park, Shatin, N.T. Hong Kong
Tel: (852) 2954 3333 • Fax: (852) 2954 3304