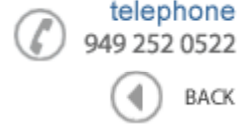




Data Sheet



Product Category: Ceramic Resonator

Series Number	Package	Description	Last Modified
630 ~ 636	ZTB Ceramic	Low Frequencies	Jan. 01 2007

FEATURES

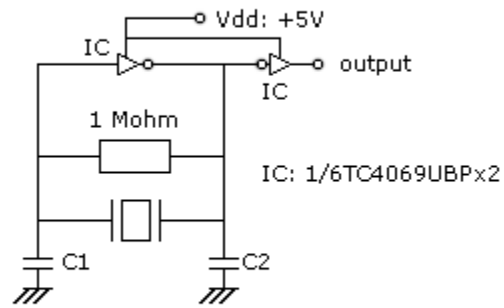
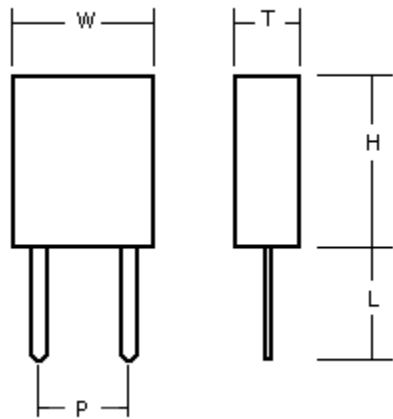
- Low frequencies
- Extended temperature range
- Low Frequency Ceramic Resonator
- High stability
- RoHS Compliant



OPERATING CONDITIONS / ELECTRICAL CHARACTERISTICS

Series No.	Package Type	Frequency Range	Frequency Accuracy	Resonant Impedance	Stability in Temp.	Aging for Ten Years	Load Capacitance (pF)	
		(KHz)	@25°C	ohm max.	-20~+80°C	(%)	C1	C2
630	ZTB-D	190 ~ 249	±1 KHz	20	±0.3%	±0.3	330	470
631	ZTB-D	250 ~ 374	±1 KHz				220	
632	ZTB-P	375 ~ 429	±2 KHz				120	
633	ZTB-E	430 ~ 509	±2 KHz	30			100	100
634	ZTB-P	510 ~ 649	±2 KHz					
635	ZTB-P	650 ~ 699	±2 KHz	70			100	100
	ZTB-J	700 ~ 757	±0.5%					
636	ZTB-J	758 ~ 999	±0.5%	100	100	100		
		1000 ~ 1250	±0.5%					

PACKAGE DIMENSIONS (mm)



Freq. Range (KHz)	Dimensions				
	W	T	H	P	L
190 ~ 249	13.5	3.6	14.7	10.0	8.0
250 ~ 374	11.0	3.6	12.2	7.7	7.0
375 ~ 429	7.9	3.6	9.3	5.0	6.0
430 ~ 699	7.0	3.5	9.0	5.0	6.0
700 ~ 1250	5.1	2.2	6.3	2.5	4.0

PART NUMBER GUIDE

Part Number	Frequency	Packaging**
635	- 680 K	Blank* = Bulk -TR = Tape/ Reel
630 to 636 (see table above)	e.g. -680K = 680KHz Range = 190 ~ 1250 KHz	

NOTE: Deviations on all parameters available. Please consult Oscilent for details.

DEFINITIONS: Click on the characteristic names above, for definitions of the particular characteristic.

*STANDARDS: "Blank" part number selections, indicate standard variables for the particular characteristic.

**PACKAGING: Click on the packaging name above for tape/reel specifications

Oscilent Corporation - CALL **949.252.0522**
 18195 East McDermott Street . Building D . Irvine . CA 92614 . USA
 Fax: 949.252.0599 . E-Mail: Sales@Oscilent.com

Series No.: 630 to 636