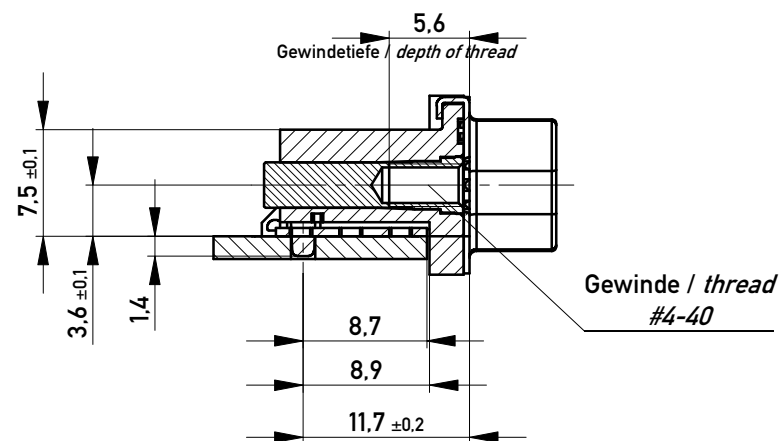


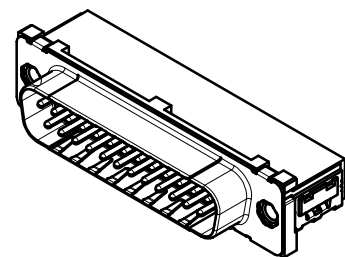
Mutter / nut



Anschlussbereich verzinkt  
terminal area tin plating

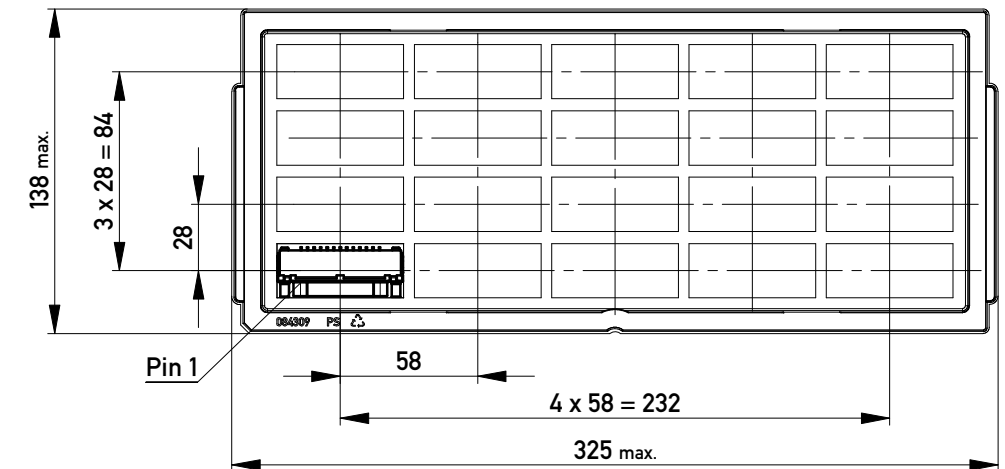
Koplanarität der Anschlüsse  $\leq 0,1$  mm  
coplanarity area of termination  $\leq 0,1$  mm

Anforderungsstufe: 2  
class: 2



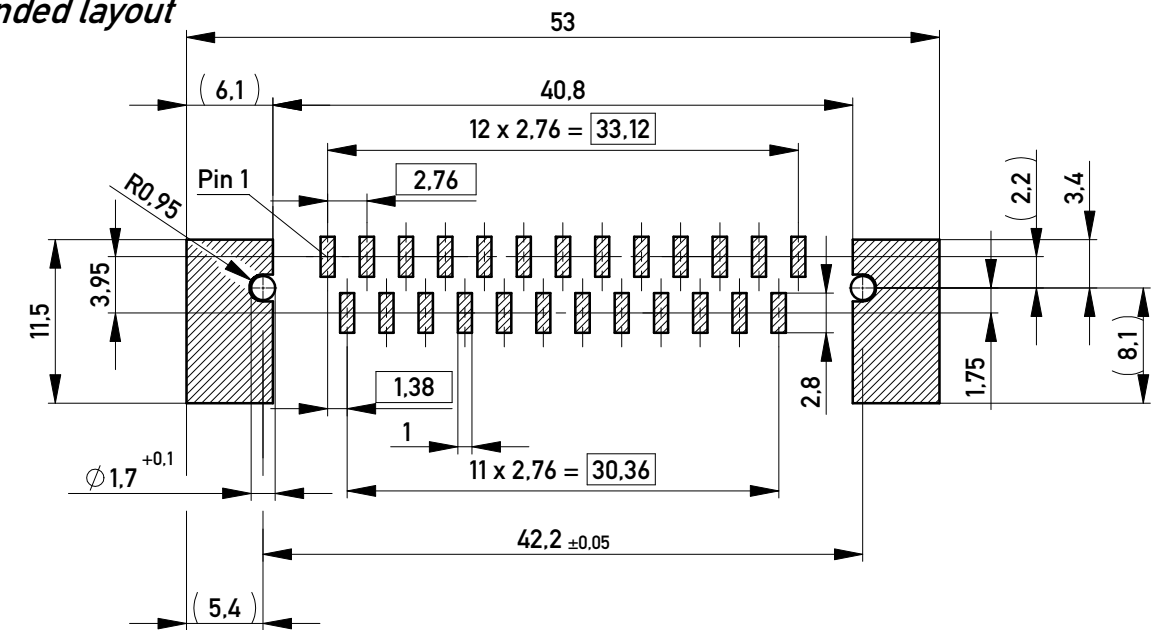
Verpackt in Tray  
Verpackungseinheit 20 Stück

tray packaging  
packaging unit 20 pcs



Sonstige Angaben siehe Zeichnung 204630 / additional indications according to drawing 204630

Layoutvorschlag  
recommended layout



Fehlende Masse und Angaben siehe DIN 41652 / Missing information and dimensions according to DIN 41652  
Sonstige Angaben siehe Fertigungsunterlagen / Additional indications according to production documentation

Information:	Tolerances	 All Dimensions in mm	Scale	2:1
	All rights reserved. Only for Information. To ensure that this is the latest version of this drawing, please contact one of the ERNI companies before using.		Subject to modification without prior notice. Drawing will not be updated.	Designation <b>TMC-P-25-SMD-Euro-BA8</b> <b>TMC-P-25-SMD-Euro-BA8</b>
Copyright by ERNI GmbH Proprietary notice pursuant to ISO 16016 to be observed.	 www.ERNI.com	<b>100101740001</b>		K A3
d	16.02.2012	Class		TMCP
Index	Date			