



CONNOR-WINFIELD CORPORATION

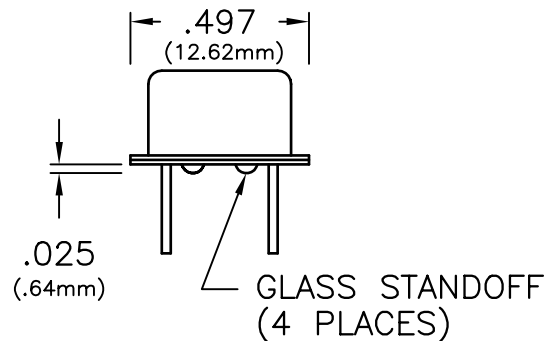
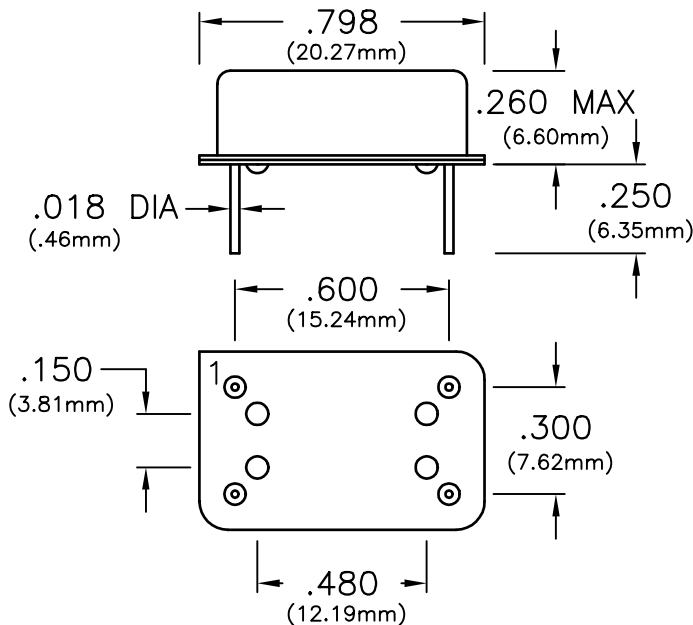
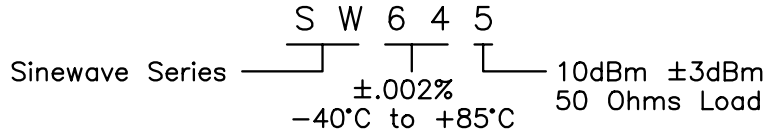
AURORA, IL. 60505
 PHONE (630) 851-4722
 FAX (630) 851-5040

OSCILLATORS

14 PIN DIP HIGH SPEED SINEWAVE

SPECIFICATIONS	SW64*
Frequency Range	100KHz to 150MHz
Frequency Tolerance	±.002%
Temperature Range	-40°C to +85°C
Output	Sinewave, AC Coupled T.H.D. <5%, 2% Typ
* - (add suffix to model number)	5 10dBm ±3dBm into a 50 ohms load
	10 3Vrms ±1Vrms into a 10K ohms load
Supply Voltage	+5Vdc ±10%
Supply Current	100mA Maximum
Package	All metal, hermetically sealed, welded package

EXAMPLE MODEL NUMBER:



PIN	CONNECTION
1	N/C
7	GROUND (CASE)
8	OUTPUT
14	(+) SUPPLY

Dimensional Tolerance ±.005

Specifications subject to change without notice

BULLETIN #: SW006
 PAGE 1 OF 1

REV: 01
 DATE: 5/16/95

ISSUED BY: _____