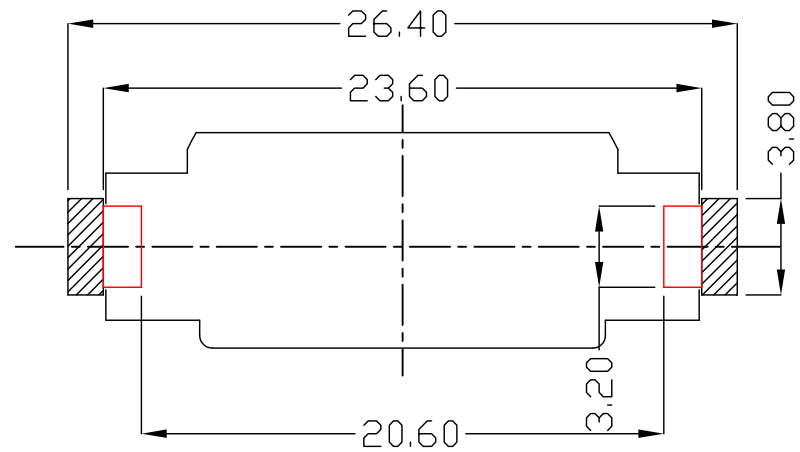
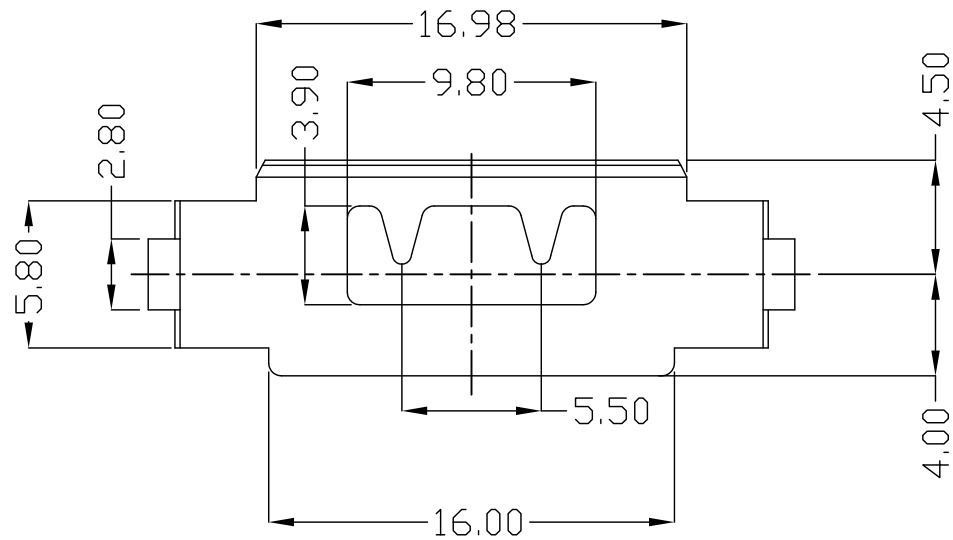


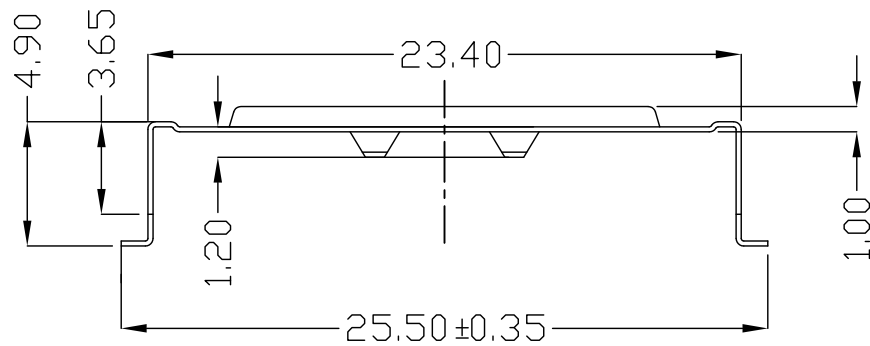


REV.	ECN NO.	REVISED	DATE



备注：红色框PCB开孔
阴影部分为PCB底部焊接面

PCB Layout Diagram
Top View



工程部
2019-05-14
LQ. HUNAG

UNLESS OTHERWISE SPECIFIED TOLERANCES		MYOUNG 美阳 www.meiyangdz.com			
DECIMALS: X :±0.30 X.X :±0.25 X.XX :±0.20 X.XXX :±0.10	ANGLES: X :±1° X.X :±0.5°	DSND	YangFeng	DATE	2019-05-14
		CHKD	ZhouRuicai	DATE	2019-05-14
		APVD	XueShunYong	DATE	2019-05-14
		WEIGHT:	0.53g	SCALE:	3:1
		SHEET	1 OF 1	SIZE:	A4
		UNIT:	mm	VIEW:	⊙ ⊚
		REV.:	A/0	OBJECT:	MY
		TITLE:		PART NO.:	
				MY-2032-03	
		DRAW NO.:		MY-CP-0198	

1	TERMINAL(+)	1	PHOSPHOR BRONZE, T=0.2mm	Ni-Plating
NO.	PART NAME	Q'TY	MATERIAL	PLATING & COLOR